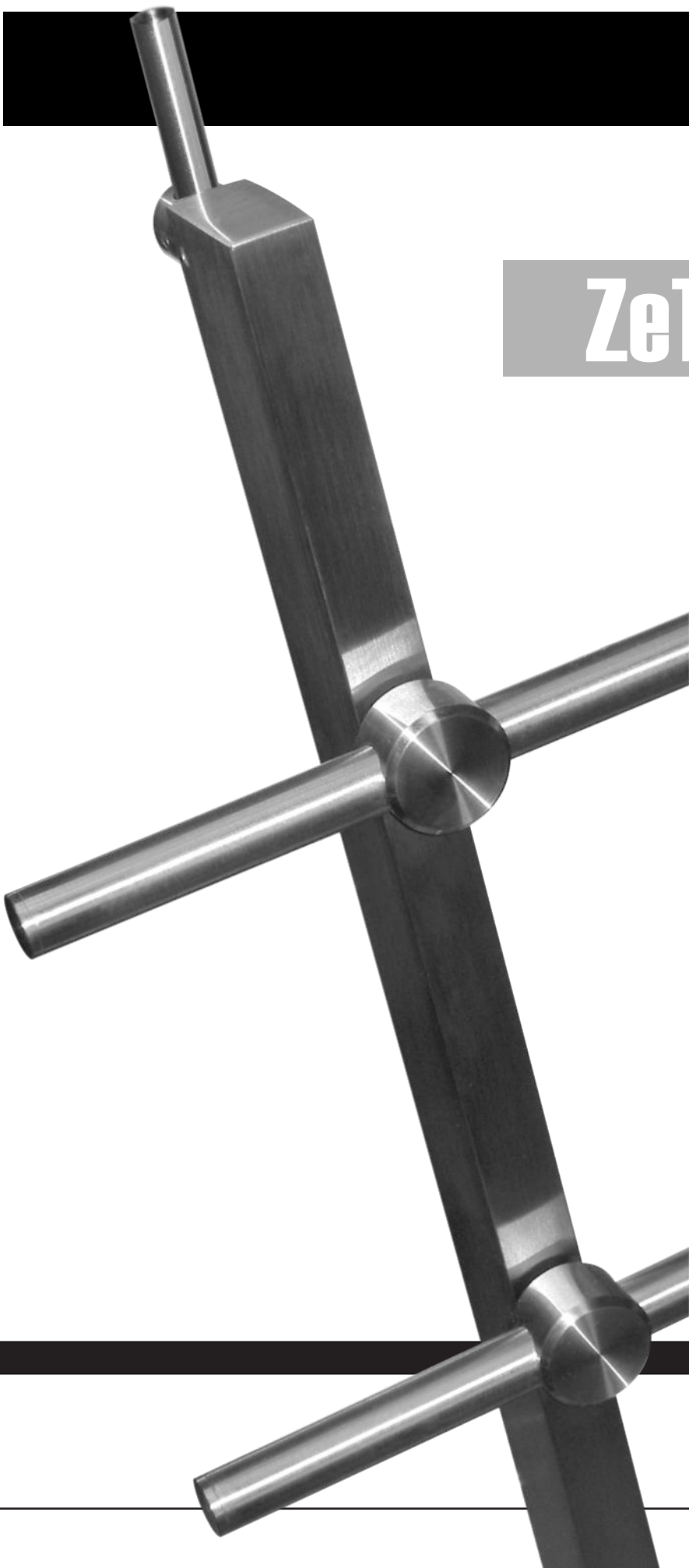
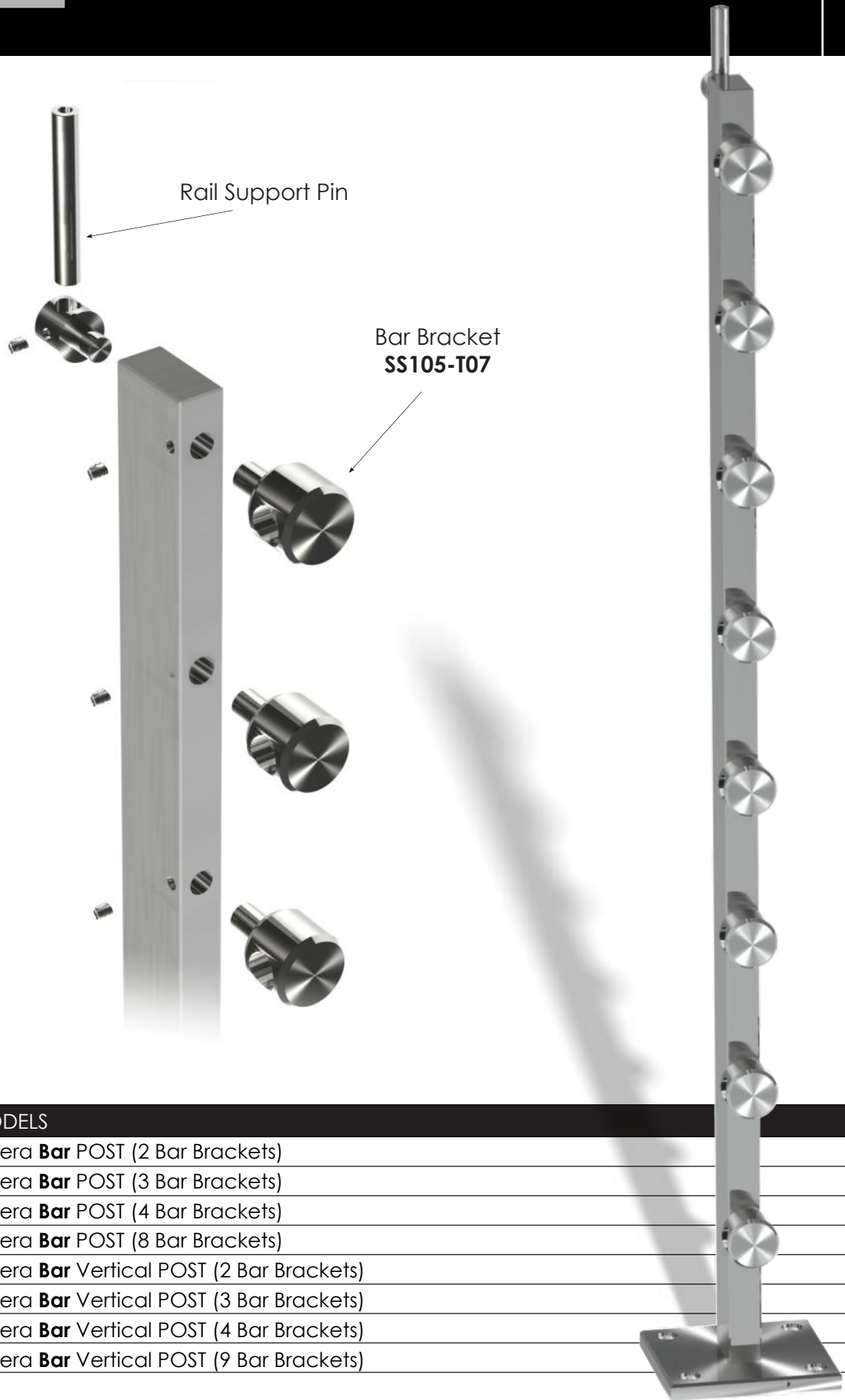


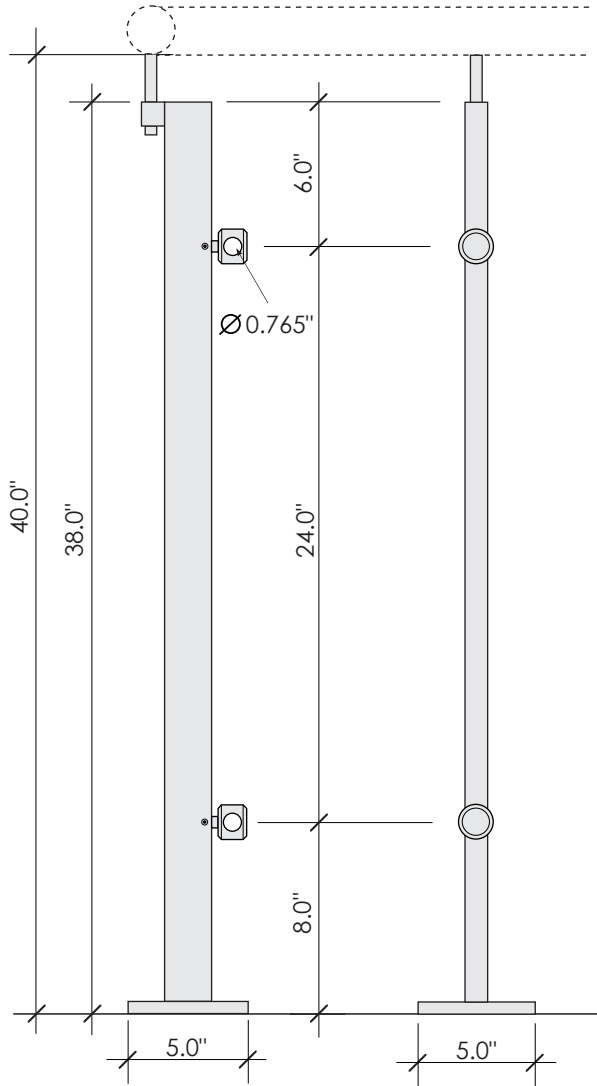
ZeTera Bar





MODELS

SS572	ZeTera Bar POST (2 Bar Brackets)
SS573	ZeTera Bar POST (3 Bar Brackets)
SS574	ZeTera Bar POST (4 Bar Brackets)
SS578	ZeTera Bar POST (8 Bar Brackets)
SS672	ZeTera Bar Vertical POST (2 Bar Brackets)
SS673	ZeTera Bar Vertical POST (3 Bar Brackets)
SS674	ZeTera Bar Vertical POST (4 Bar Brackets)
SS679	ZeTera Bar Vertical POST (9 Bar Brackets)



Specification

► Assembly Components

Single flat bar 1" x 2",
 Rail Support - 2" high vertical pin (height adjustment),
 2 Bar Brackets (3/4" Diameter Bars),
 Base Flange 5" x 5" x 1/2"

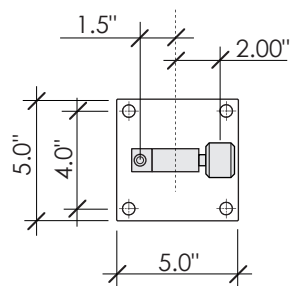
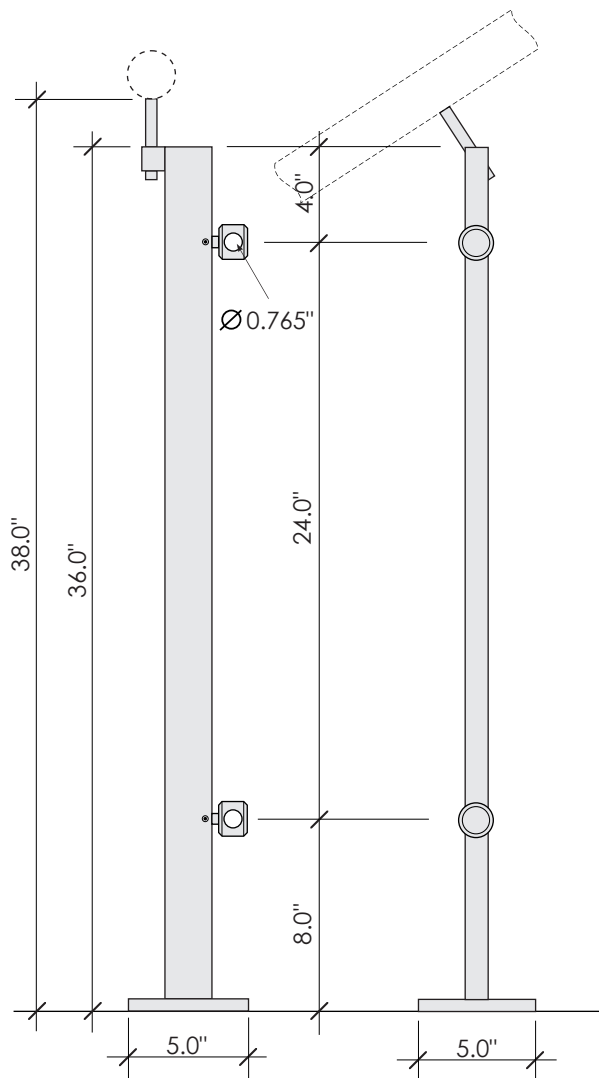
► Material

Stainless Steel 304, 316

► Finish

#4 (220grit) Brushed

42" Guard Rail



Specification

► Assembly Components

Single flat bar 1" x 2",
 Rail Support - 2" high vertical pin (height adjustment),
 2 Bar Brackets (3/4" Diameter Bars),
 Base Flange 5" x 5" x 1/2"

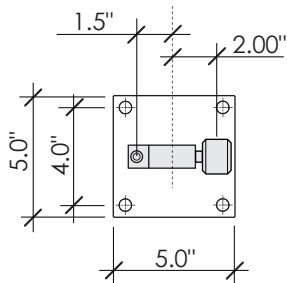
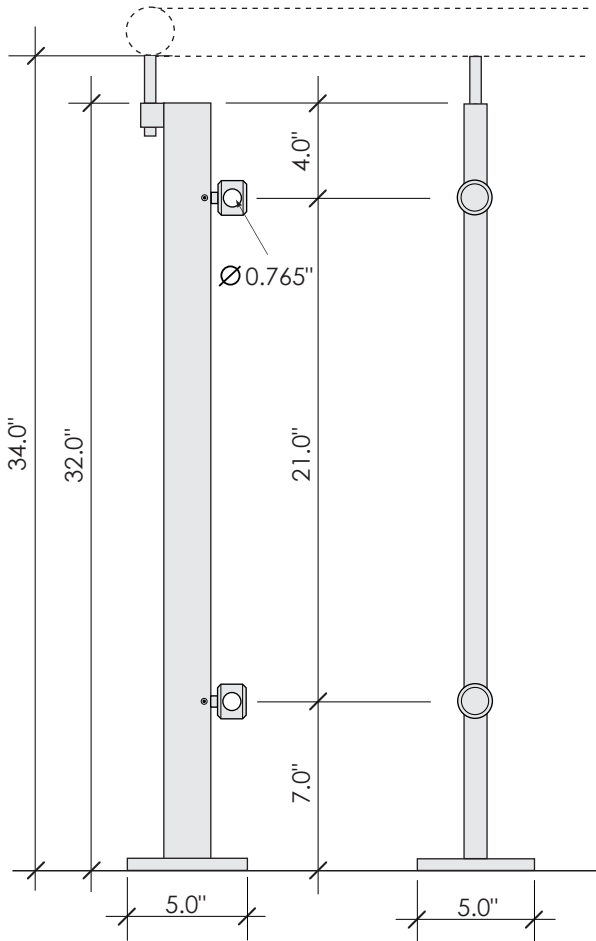
► Material

Stainless Steel 304, 316

► Finish

#4 (220grit) Brushed

37" Stairs



Specification

► Assembly Components

Single flat bar 1" x 2",
 Rail Support - 2" high vertical pin (height adjustment),
 2 Bar Brackets (3/4" Diameter Bars),
 Base Flange 5" x 5" x 1/2"

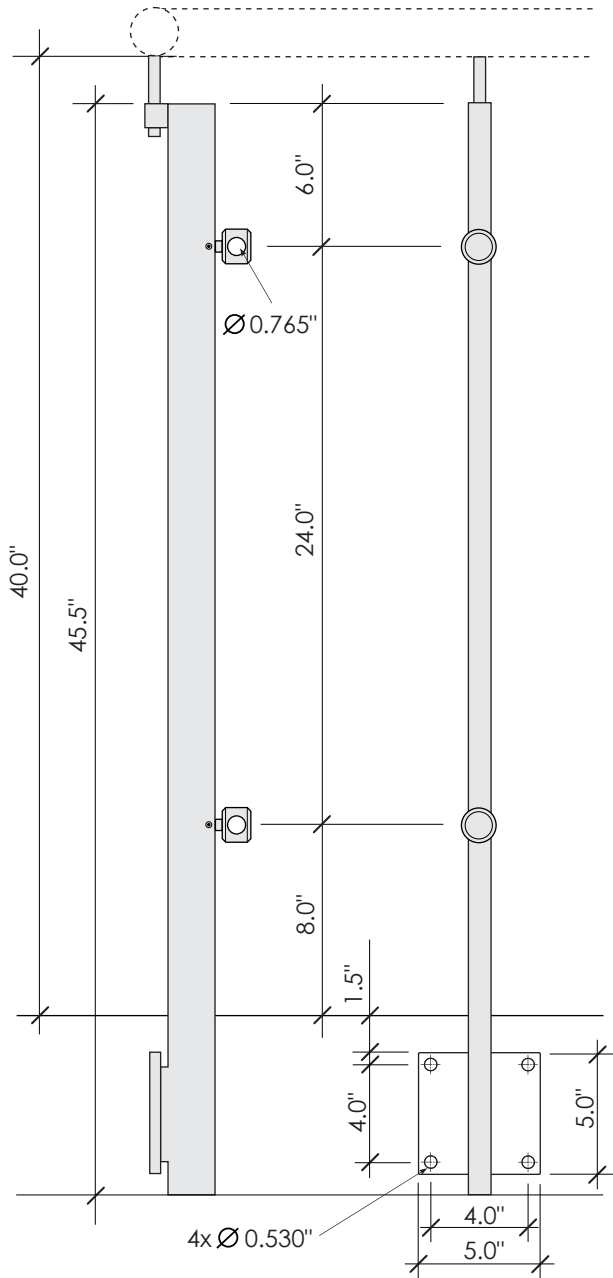
► Material

Stainless Steel 304, 316

► Finish

#4 (220grit) Brushed

36" Guard Rail



Specification

► Assembly Components

Single flat bar 1" x 2",
 Rail Support - 2" high vertical pin (height adjustment),
 2 Bar Brackets (3/4" Diameter Bars),
 Base Flange 5" x 5" x 1/2"

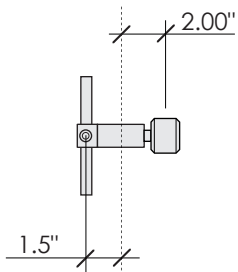
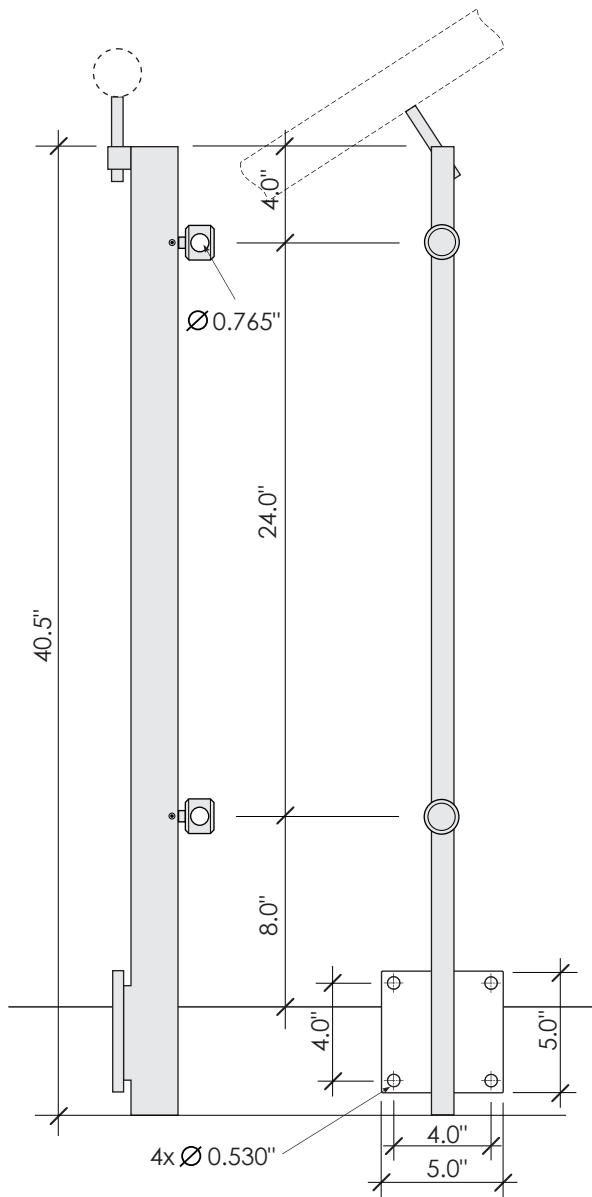
► Material

Stainless Steel 304, 316

► Finish

#4 (220grit) Brushed

42" Guard Rail



Specification

► Assembly Components

Single flat bar 1" x 2",
 Rail Support - 2" high vertical pin (height adjustment),
 2 Bar Brackets (3/4" Diameter Bars),
 Base Flange 5" x 5" x 1/2"

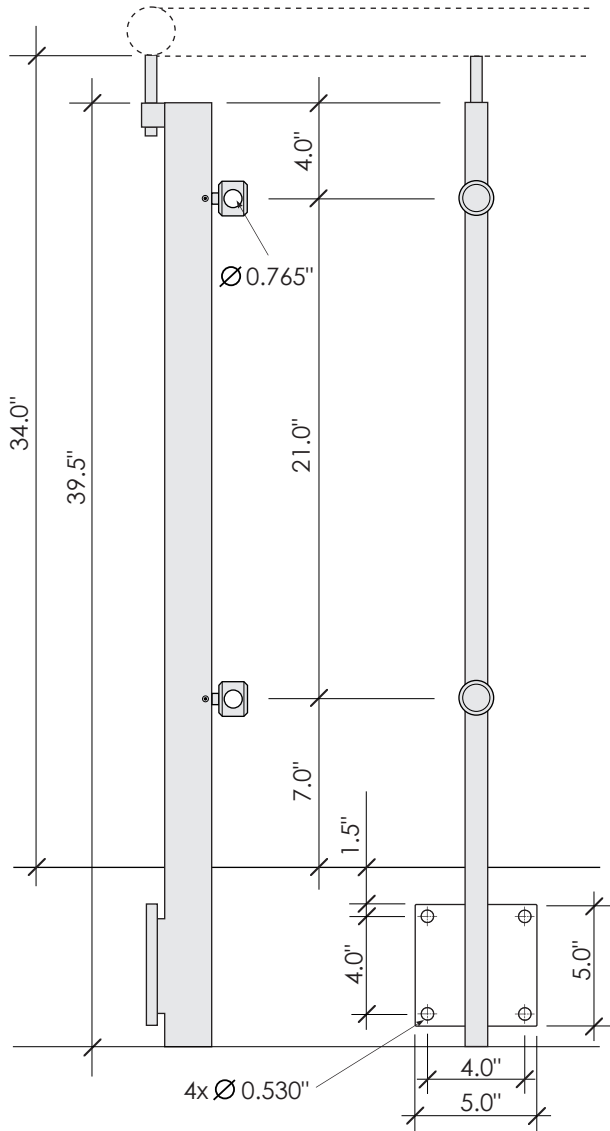
► Material

Stainless Steel 304, 316

► Finish

#4 (220grit) Brushed

37" Stairs



Specification

► Assembly Components

Single flat bar 1" x 2",
 Rail Support - 2" high vertical pin (height adjustment),
 2 Bar Brackets (3/4" Diameter Bars),
 Base Flange 5" x 5" x 1/2"

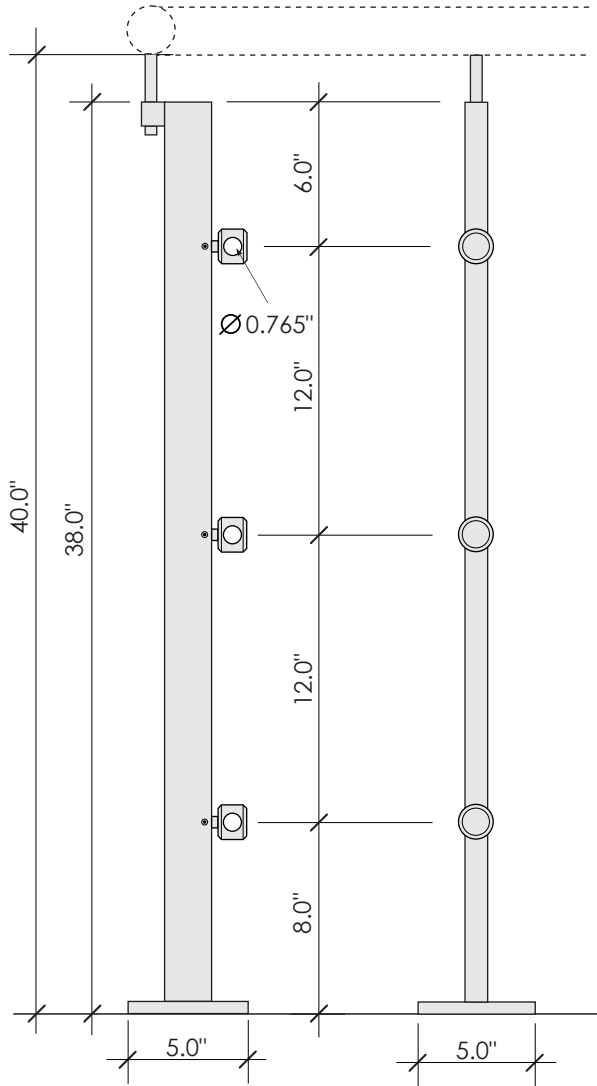
► Material

Stainless Steel 304, 316

► Finish

#4 (220grit) Brushed

36" Guard Rail



Specification

► Assembly Components

Single flat bar 1" x 2",
 Rail Support - 2" high vertical pin (height adjustment),
 3 Bar Brackets (3/4" Diameter Bars),
 Base Flange 5" x 5" x 1/2"

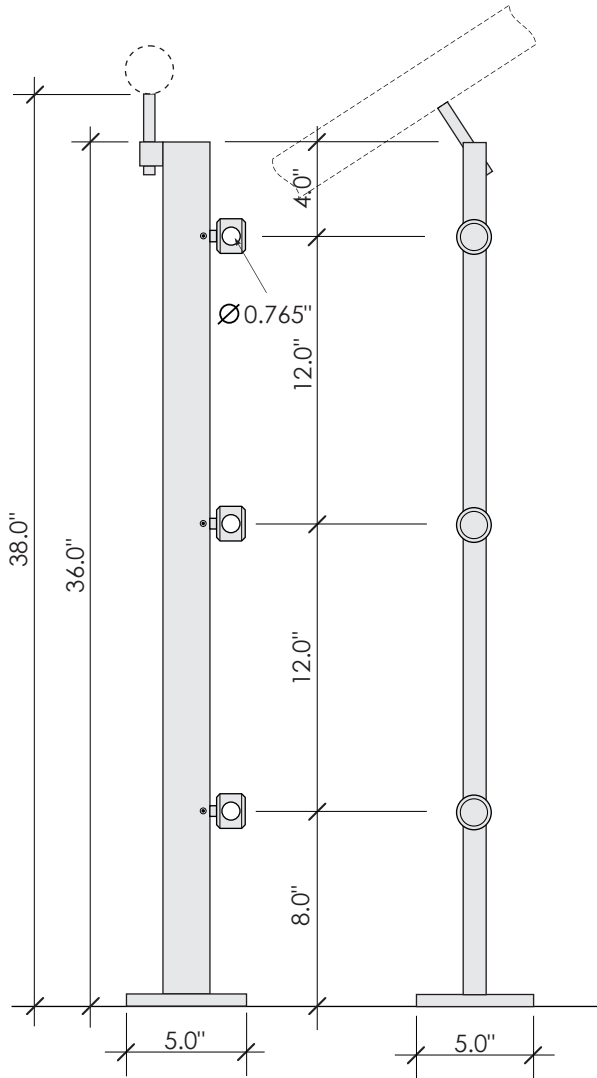
► Material

Stainless Steel 304, 316

► Finish

#4 (220grit) Brushed

42" Guard Rail



Specification

► Assembly Components

- Single flat bar 1" x 2",
- Rail Support - 2" high vertical pin (height adjustment),
- 3 Bar Brackets (3/4" Diameter Bars),
- Base Flange 5" x 5" x 1/2"

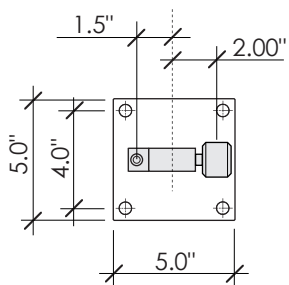
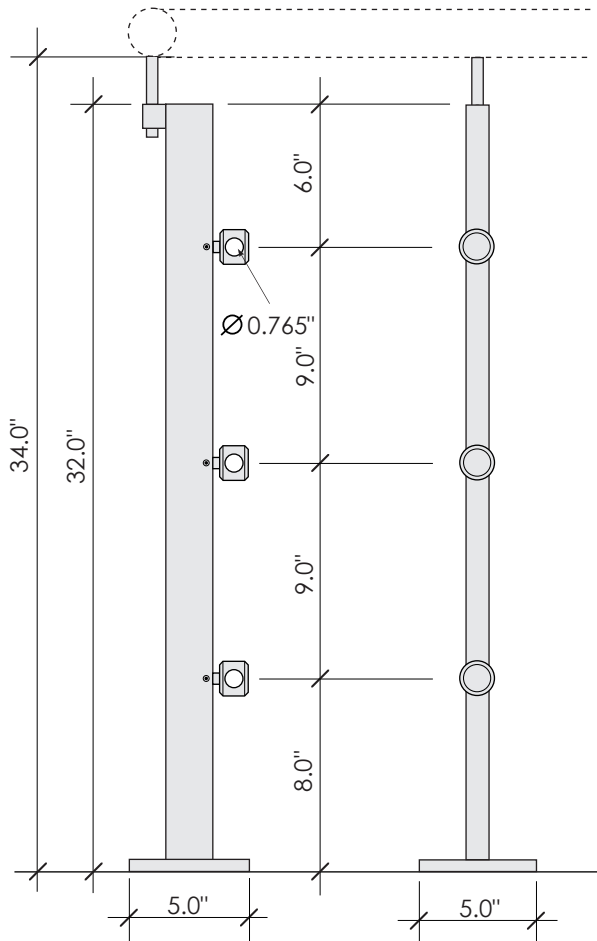
► Material

Stainless Steel 304, 316

► Finish

#4 (220grit) Brushed

37" Stairs



Specification

► Assembly Components

Single flat bar 1" x 2",
 Rail Support - 2" high vertical pin (height adjustment),
 3 Bar Brackets (3/4" Diameter Bars),
 Base Flange 5" x 5" x 1/2"

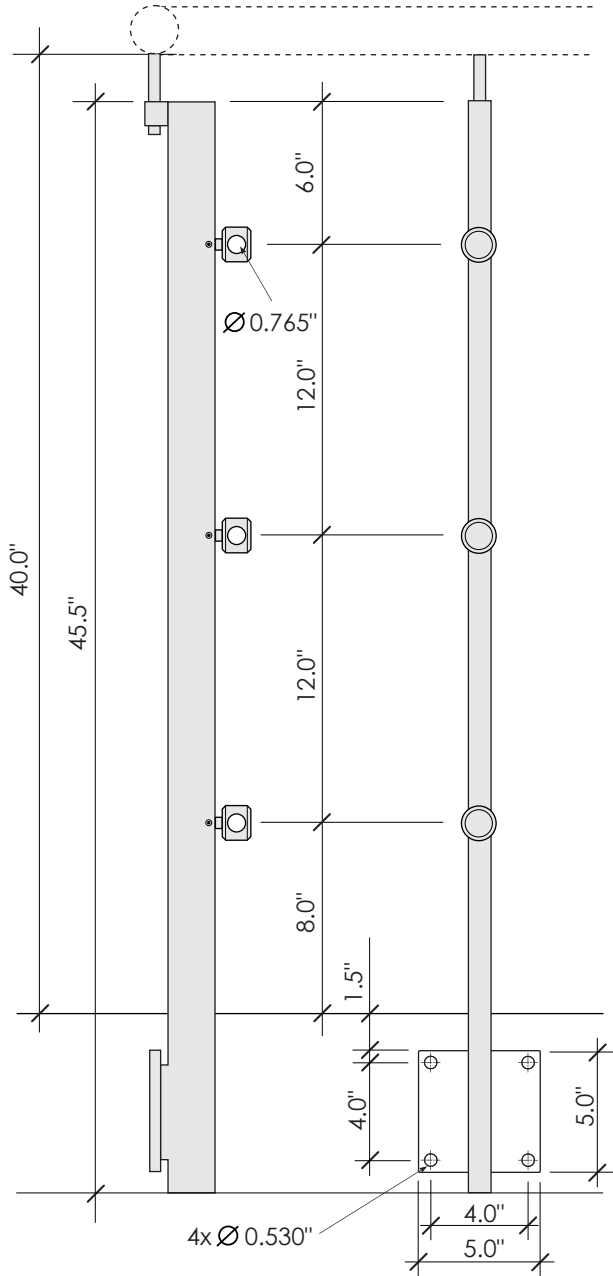
► Material

Stainless Steel 304, 316

► Finish

#4 (220grit) Brushed

36" Guard Rail



Specification

► Assembly Components

Single flat bar 1" x 2",
 Rail Support - 2" high vertical pin (height adjustment),
 3 Bar Brackets (3/4" Diameter Bars),
 Base Flange 5" x 5" x 1/2"

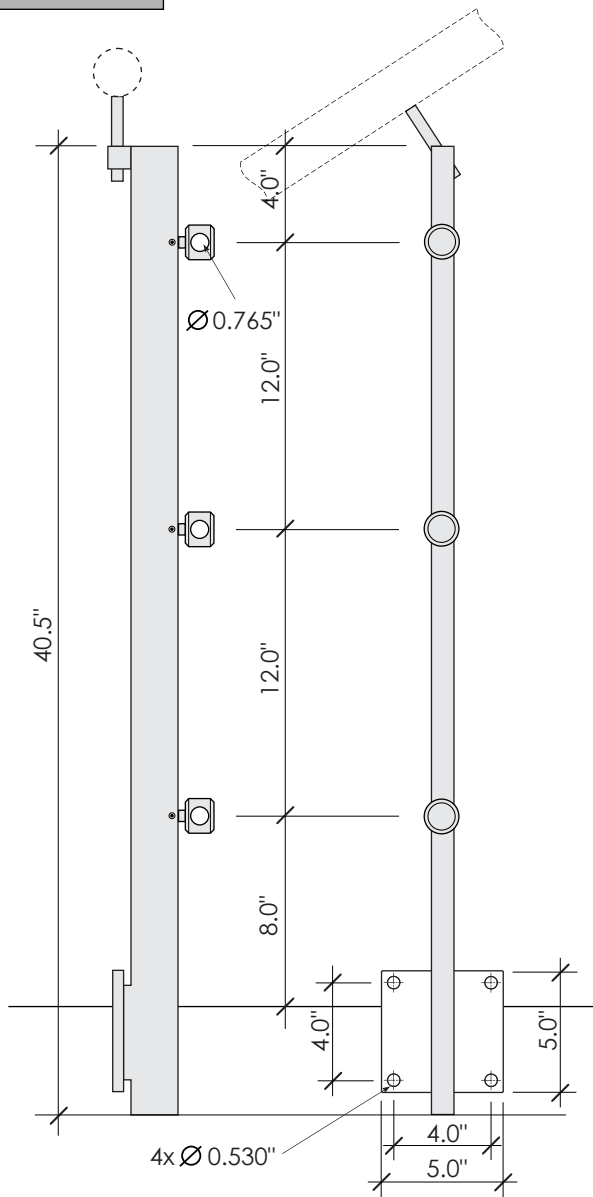
► Material

Stainless Steel 304, 316

► Finish

#4 (220grit) Brushed

42" Guard Rail



Specification

► Assembly Components

Single flat bar 1" x 2",
 Rail Support - 2" high vertical pin (height adjustment),
 3 Bar Brackets (3/4" Diameter Bars),
 Base Flange 5" x 5" x 1/2"

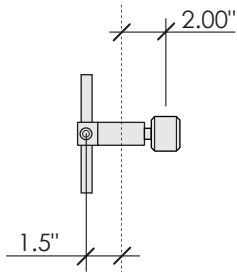
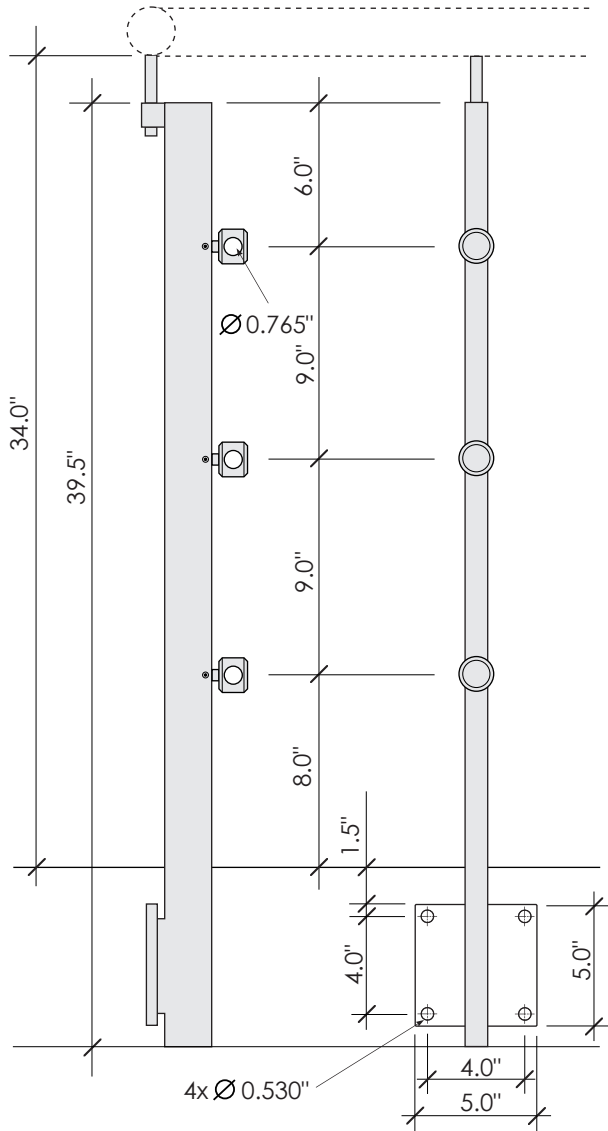
► Material

Stainless Steel 304, 316

► Finish

#4 (220grit) Brushed

37" Stairs



Specification

► Assembly Components

Single flat bar 1" x 2",
 Rail Support - 2" high vertical pin (height adjustment),
 3 Bar Brackets (3/4" Diameter Bars),
 Base Flange 5" x 5" x 1/2"

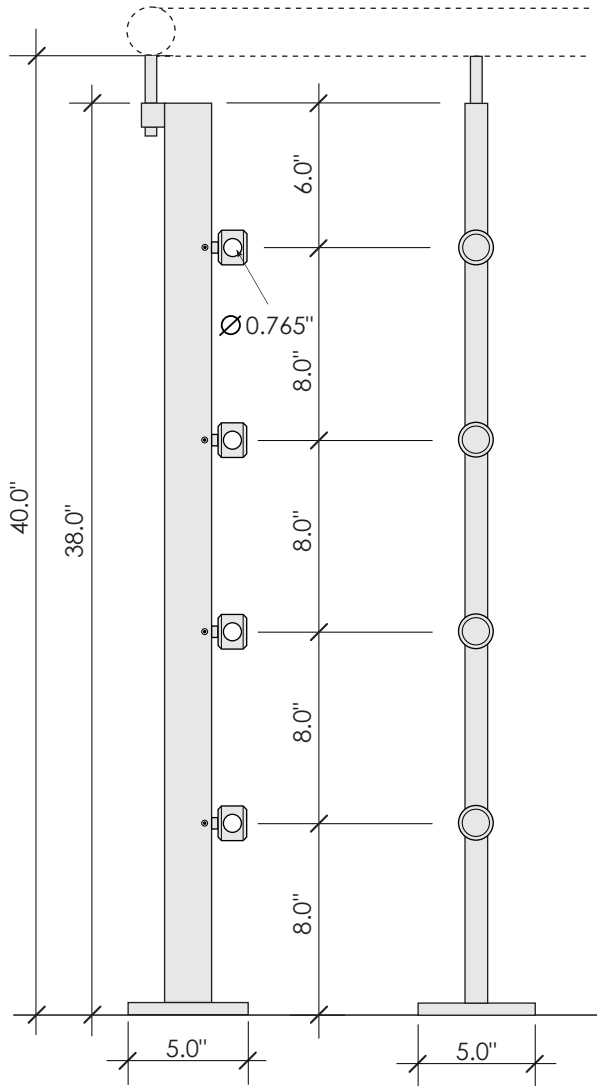
► Material

Stainless Steel 304, 316

► Finish

#4 (220grit) Brushed

36" Guard Rail



Specification

► Assembly Components

- Single flat bar 1" x 2",
- Rail Support - 2" high vertical pin (height adjustment),
- 4 Bar Brackets (3/4" Diameter Bars),
- Base Flange 5" x 5" x 1/2"

► Material

Stainless Steel 304, 316

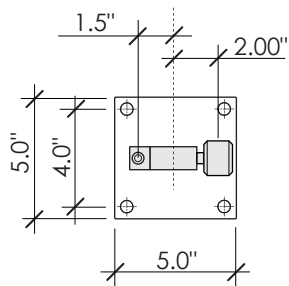
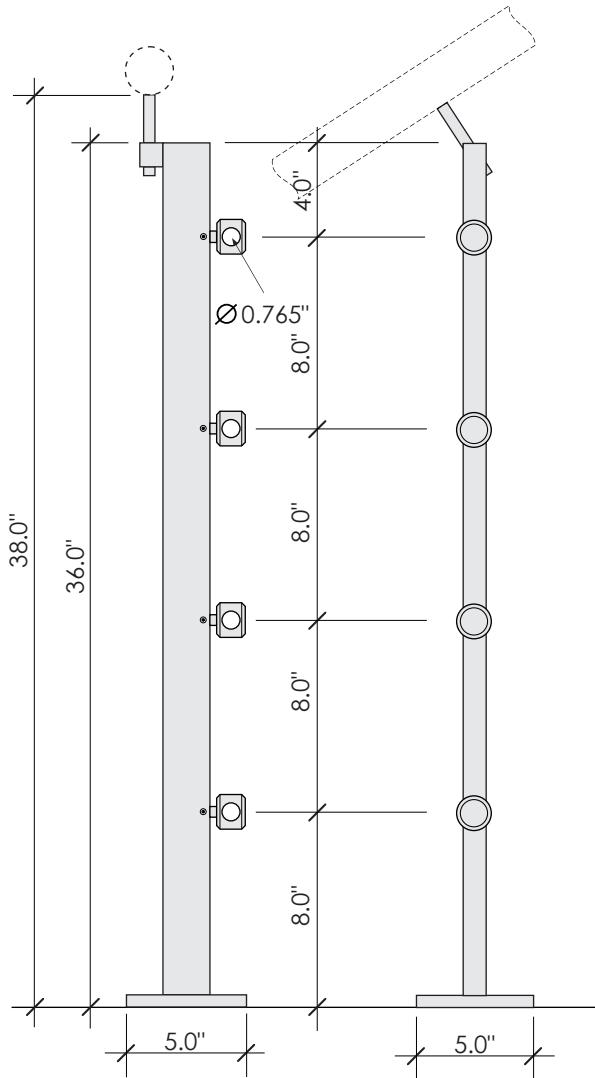
► Finish

#4 (220grit) Brushed

42" Guard Rail

SS574-S ZeTera Bar Post

moggi



Specification

► Assembly Components

Single flat bar 1" x 2",
Rail Support - 2" high vertical pin (height adjustment),
4 Bar Brackets (3/4" Diameter Bars),
Base Flange 5" x 5" x 1/2"

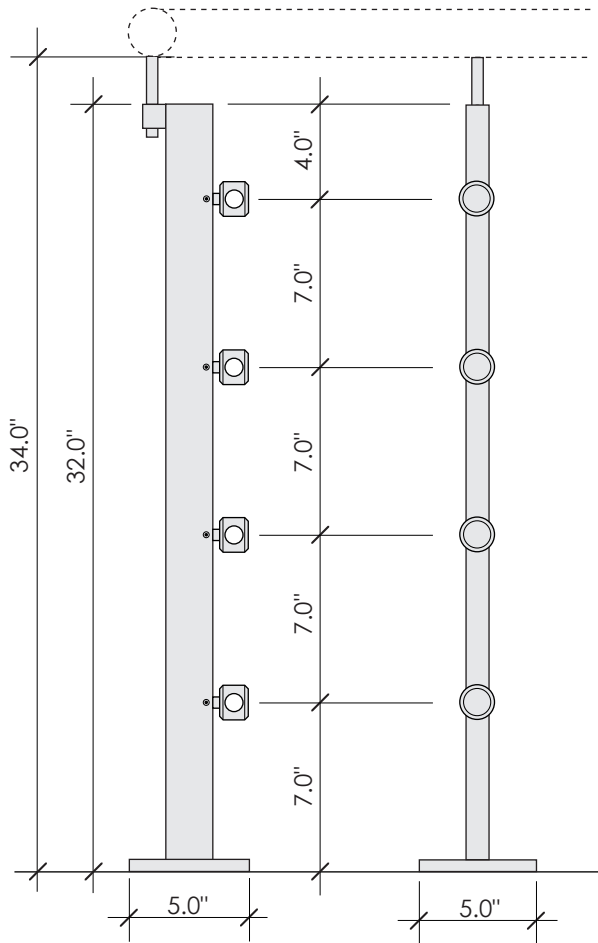
► Material

Stainless Steel 304, 316

► Finish

#4 (220grit) Brushed

37" Stairs



Specification

► Assembly Components

- Single flat bar 1" x 2",
- Rail Support - 2" high vertical pin (height adjustment),
- 4 Bar Brackets (3/4" Diameter Bars),
- Base Flange 5" x 5" x 1/2"

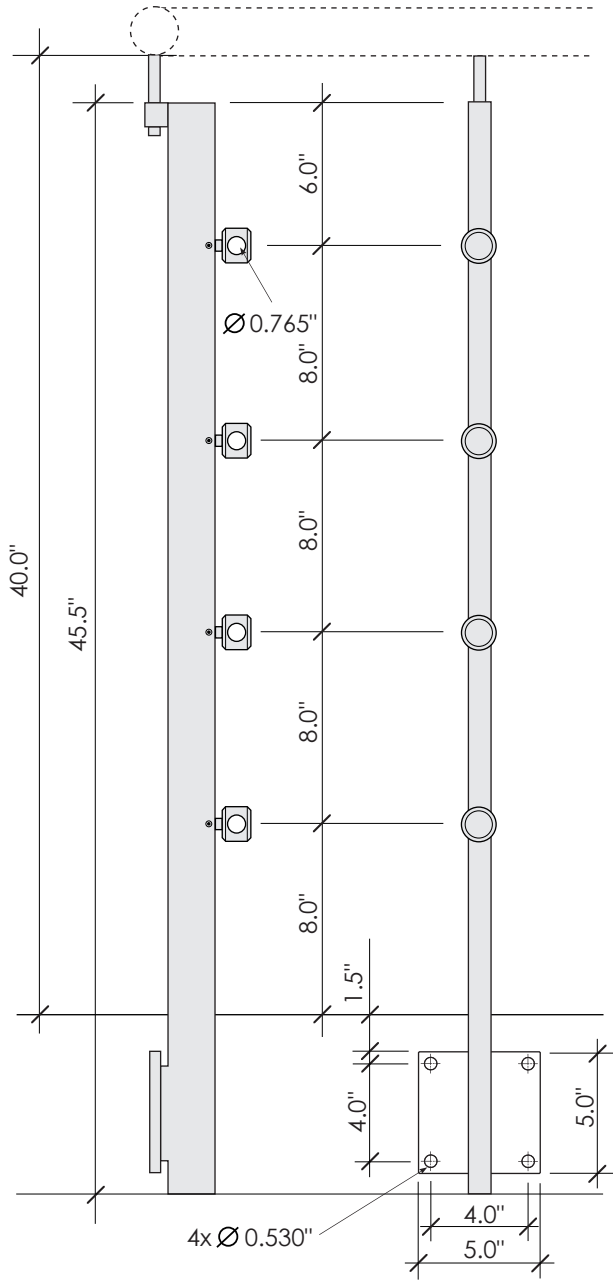
► Material

Stainless Steel 304, 316

► Finish

#4 (220grit) Brushed

36" Guard Rail



Specification

► Assembly Components

Single flat bar 1" x 2",
 Rail Support - 2" high vertical pin (height adjustment),
 4 Bar Brackets (3/4" Diameter Bars),
 Base Flange 5" x 5" x 1/2"

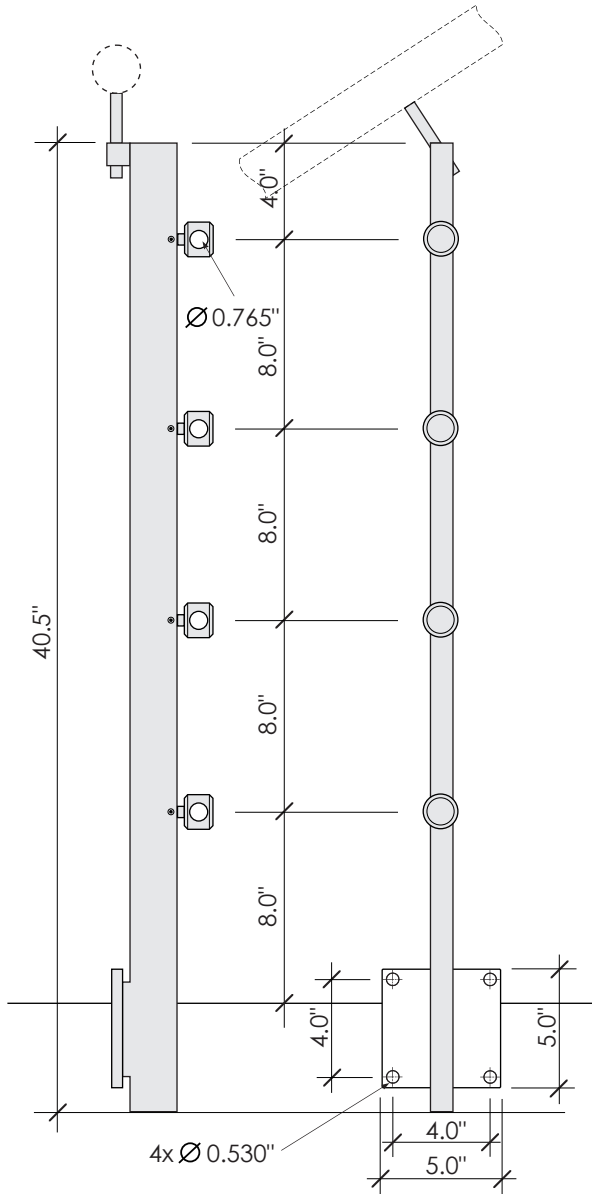
► Material

Stainless Steel 304, 316

► Finish

#4 (220grit) Brushed

42" Guard Rail



Specification

► Assembly Components

Single flat bar 1" x 2",
 Rail Support - 2" high vertical pin (height adjustment),
 4 Bar Brackets (3/4" Diameter Bars),
 Base Flange 5" x 5" x 1/2"

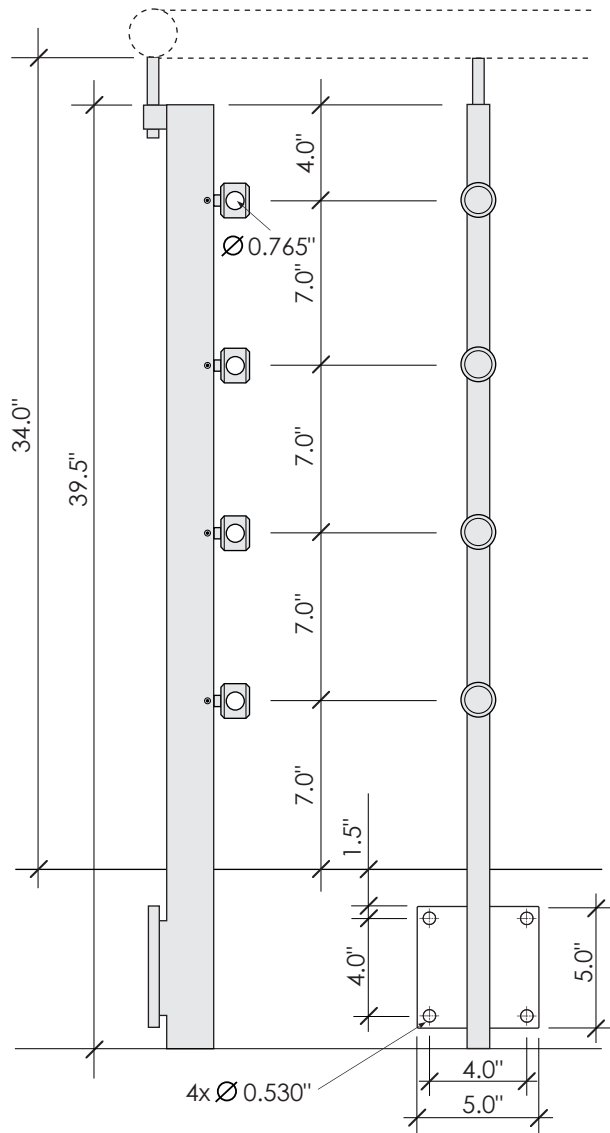
► Material

Stainless Steel 304, 316

► Finish

#4 (220grit) Brushed

37" Stairs



Specification

► Assembly Components

Single flat bar 1" x 2",
 Rail Support - 2" high vertical pin (height adjustment),
 4 Bar Brackets (3/4" Diameter Bars),
 Base Flange 5" x 5" x 1/2"

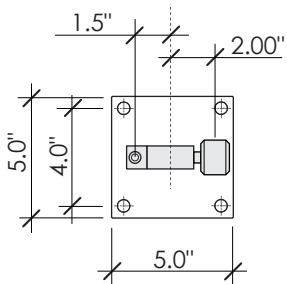
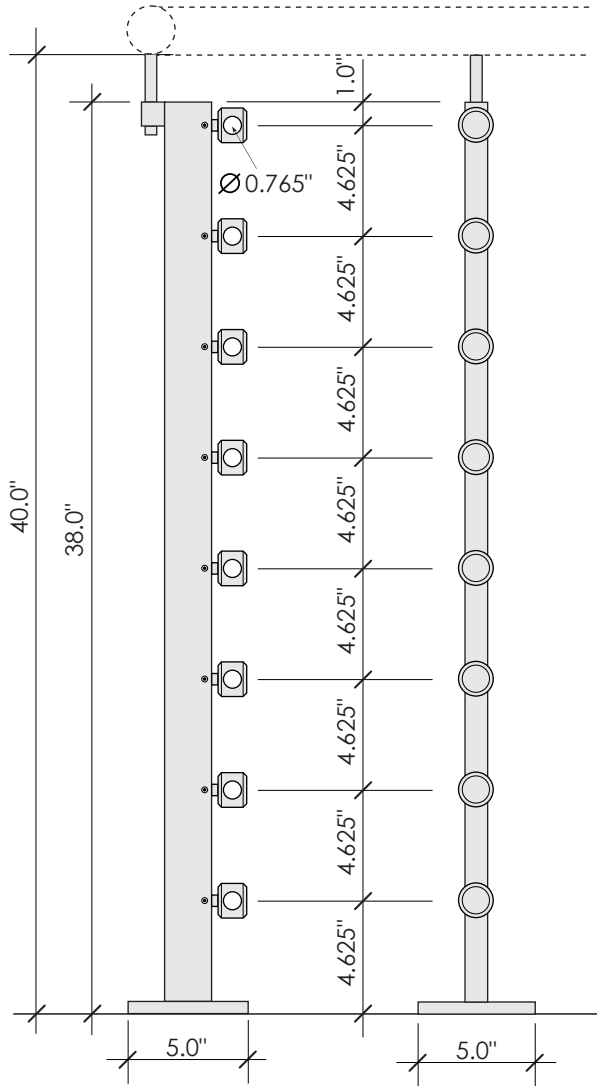
► Material

Stainless Steel 304, 316

► Finish

#4 (220grit) Brushed

36" Guard Rail



Specification

► Assembly Components

Single flat bar 1" x 2",
 Rail Support - 2" high vertical pin (height adjustment),
 8 Bar Brackets (3/4" Diameter Bars),
 Base Flange 5" x 5" x 1/2"

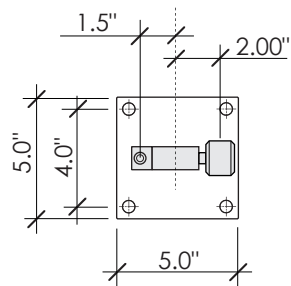
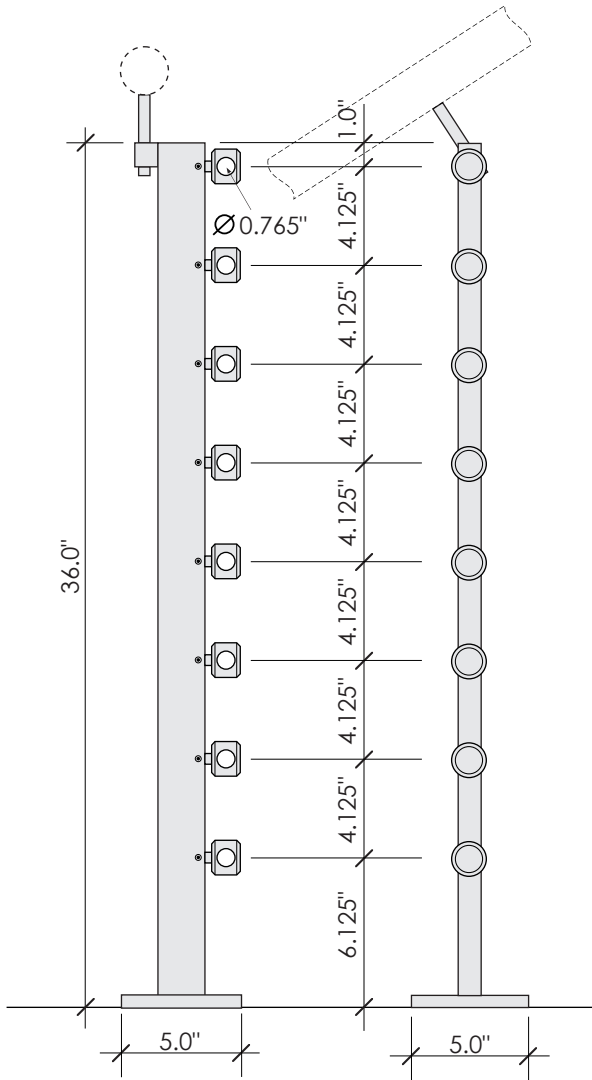
► Material

Stainless Steel 304, 316

► Finish

#4 (220grit) Brushed

42" Guard Rail



Specification

► Assembly Components

Single flat bar 1" x 2",
 Rail Support - 2" high vertical pin (height adjustment),
 8 Bar Brackets (3/4" Diameter Bars),
 Base Flange 5" x 5" x 1/2"

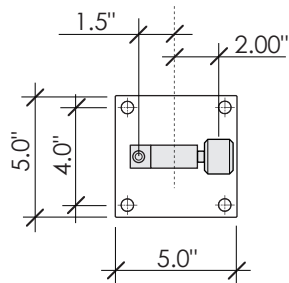
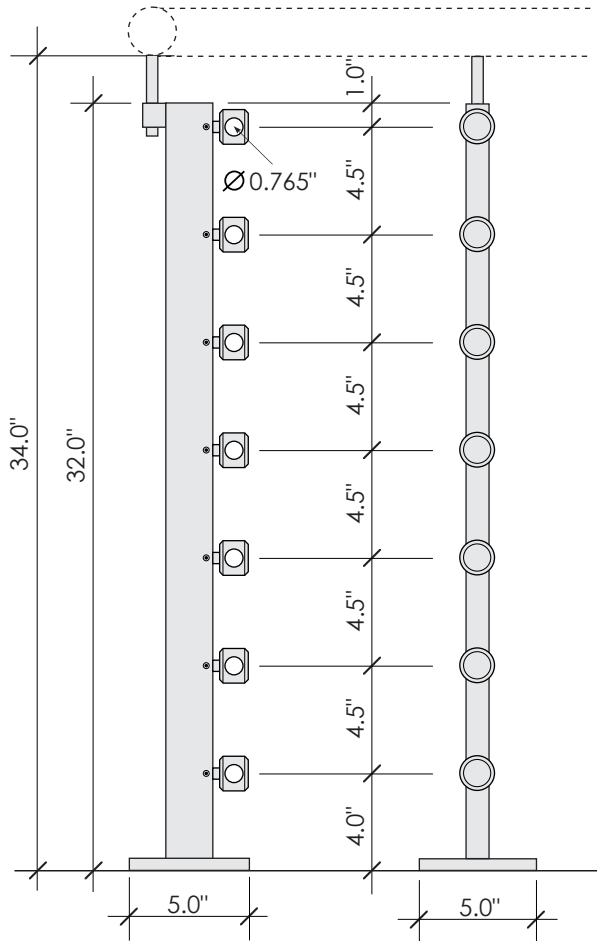
► Material

Stainless Steel 304, 316

► Finish

#4 (220grit) Brushed

37" Stairs



Specification

► Assembly Components

Single flat bar 1" x 2",
 Rail Support - 2" high vertical pin (height adjustment),
 7 Bar Brackets (3/4" Diameter Bars),
 Base Flange 5" x 5" x 1/2"

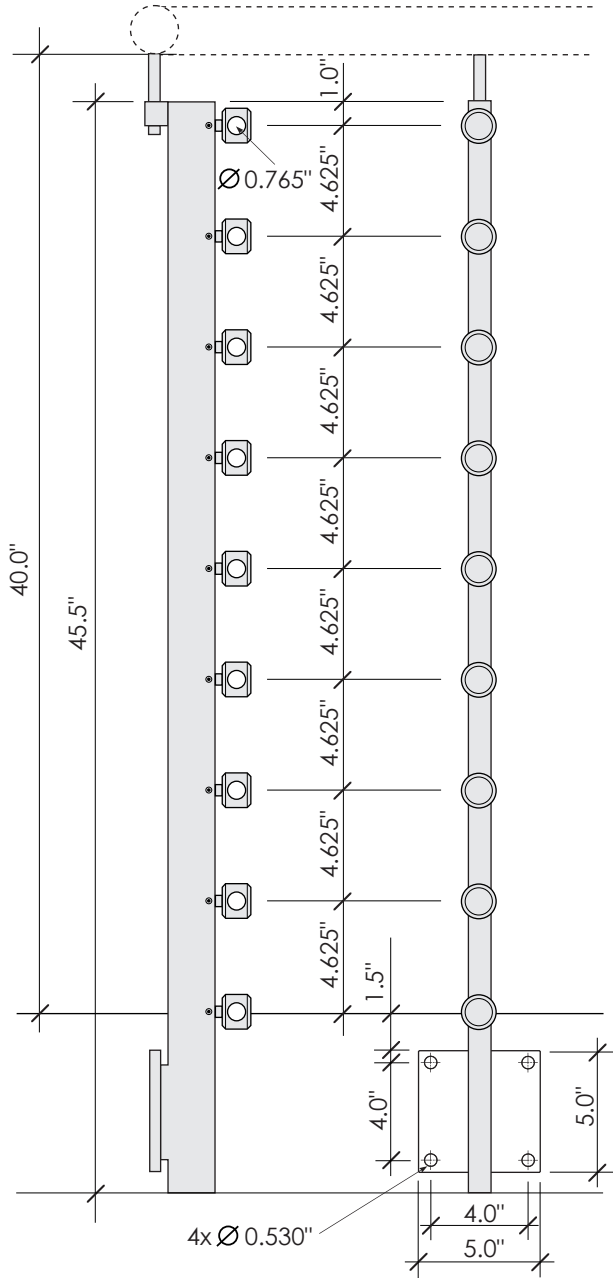
► Material

Stainless Steel 304, 316

► Finish

#4 (220grit) Brushed

36" Guard Rail



Specification

► Assembly Components

Single flat bar 1" x 2",
 Rail Support - 2" high vertical pin (height adjustment),
 9 Bar Brackets (3/4" Diameter Bars),
 Base Flange 5" x 5" x 1/2"

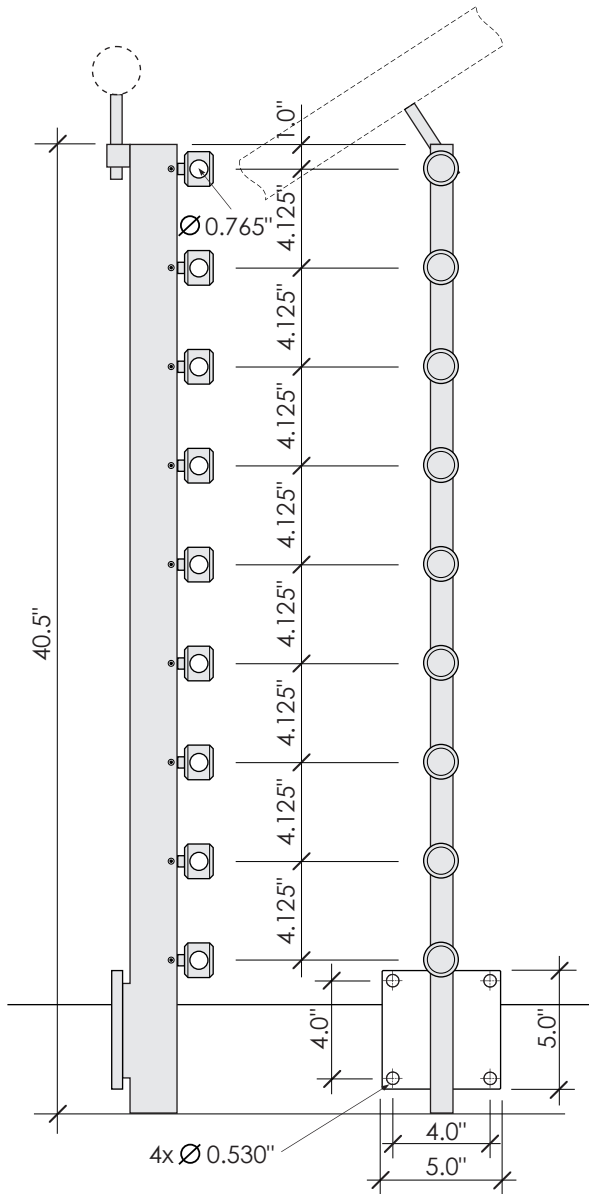
► Material

Stainless Steel 304, 316

► Finish

#4 (220grit) Brushed

42" Guard Rail



Specification

► Assembly Components

Single flat bar 1" x 2",
 Rail Support - 2" high vertical pin (height adjustment),
 9 Bar Brackets (3/4" Diameter Bars),
 Base Flange 5" x 5" x 1/2"

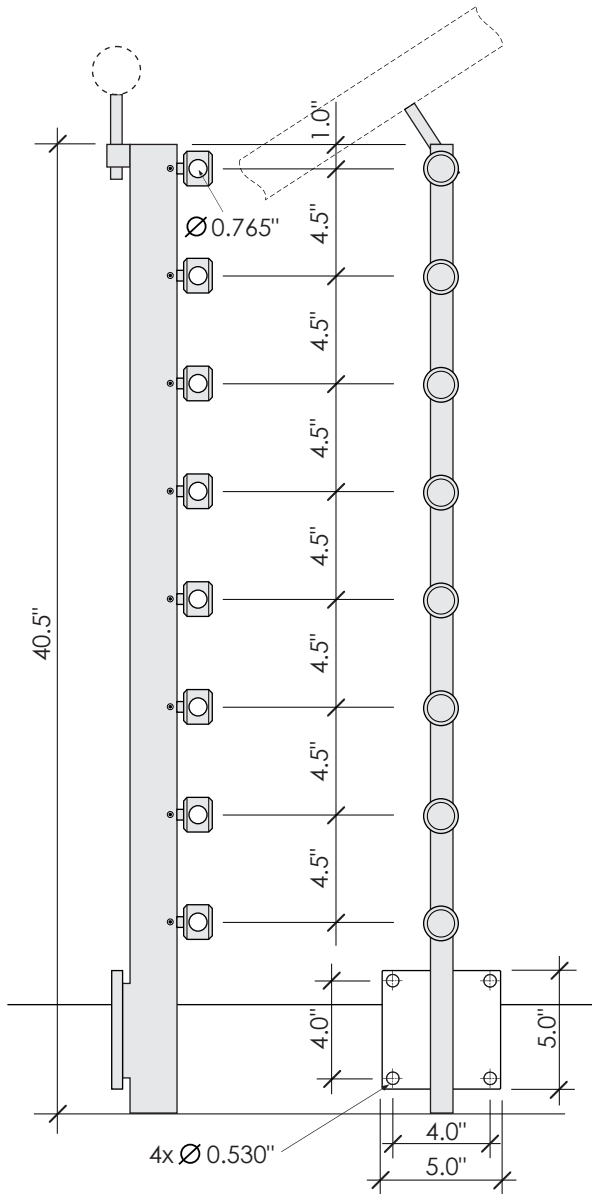
► Material

Stainless Steel 304, 316

► Finish

#4 (220grit) Brushed

37" Stairs



Specification

► Assembly Components

- Single flat bar 1" x 2",
- Rail Support - 2" high vertical pin (height adjustment),
- 8 Bar Brackets (3/4" Diameter Bars),
- Base Flange 5" x 5" x 1/2"

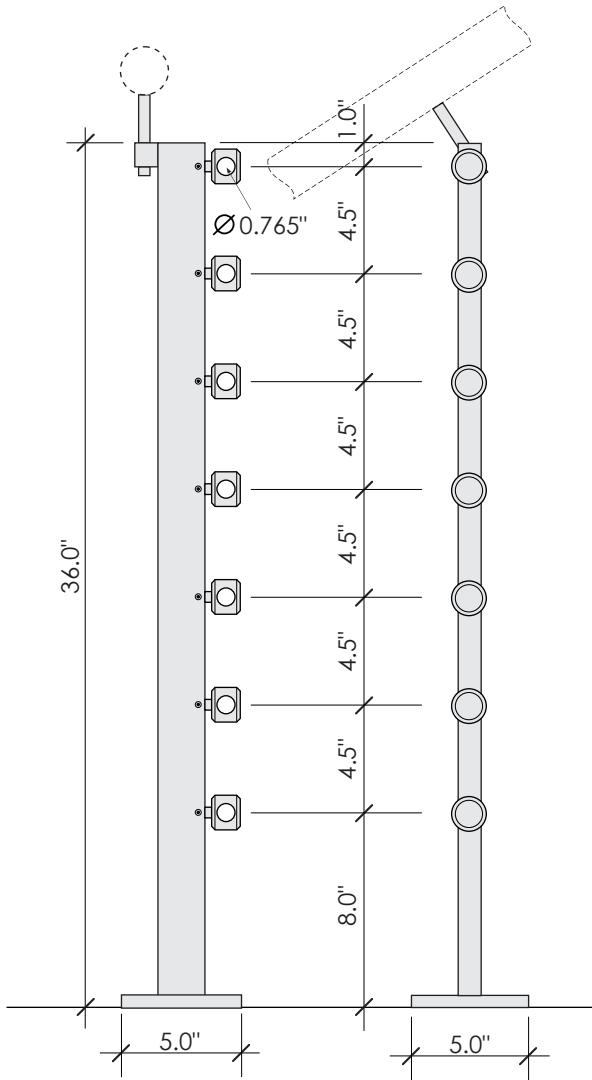
► Material

Stainless Steel 304, 316

► Finish

#4 (220grit) Brushed

37" Stairs



Specification

► Assembly Components

Single flat bar 1" x 2",
 Rail Support - 2" high vertical pin (height adjustment),
 7 Bar Brackets (3/4" Diameter Bars),
 Base Flange 5" x 5" x 1/2"

► Material

Stainless Steel 304, 316

► Finish

#4 (220grit) Brushed

37" Stairs