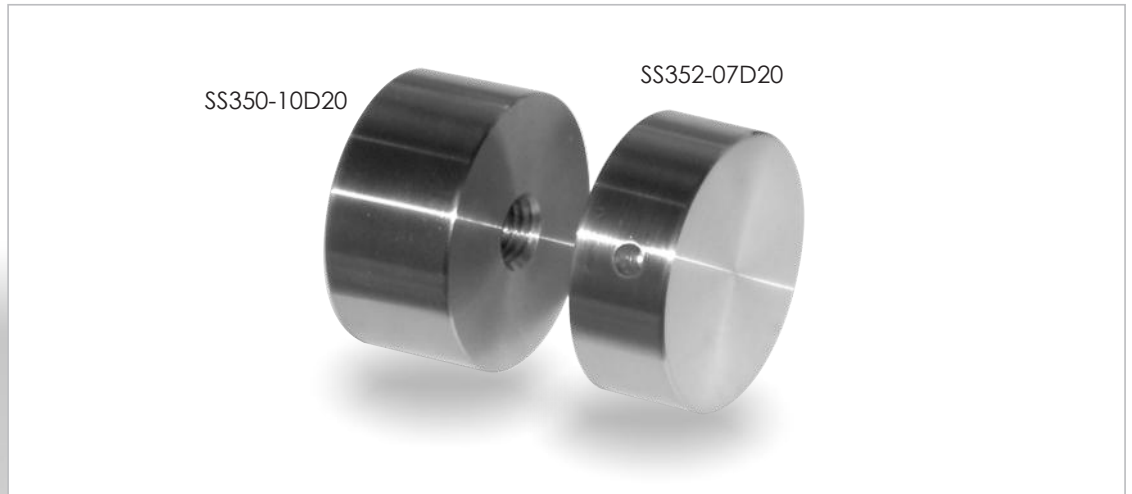


Structural Glazing

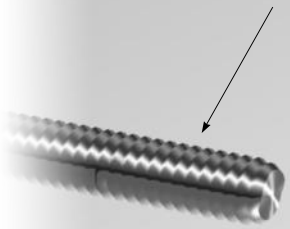




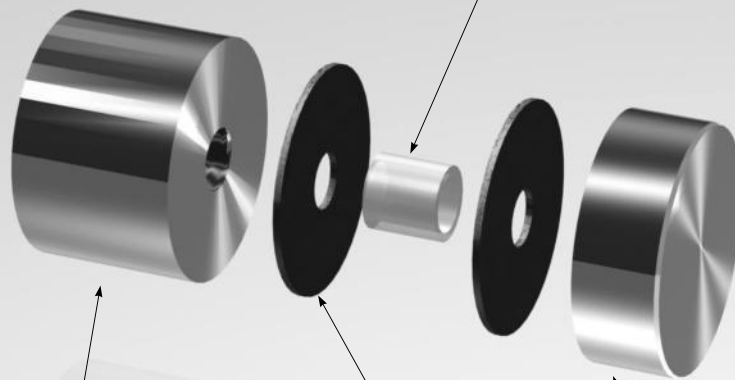
SS350-10D20

SS352-07D20

Threaded Rod



Sleeve (5/8" OD)



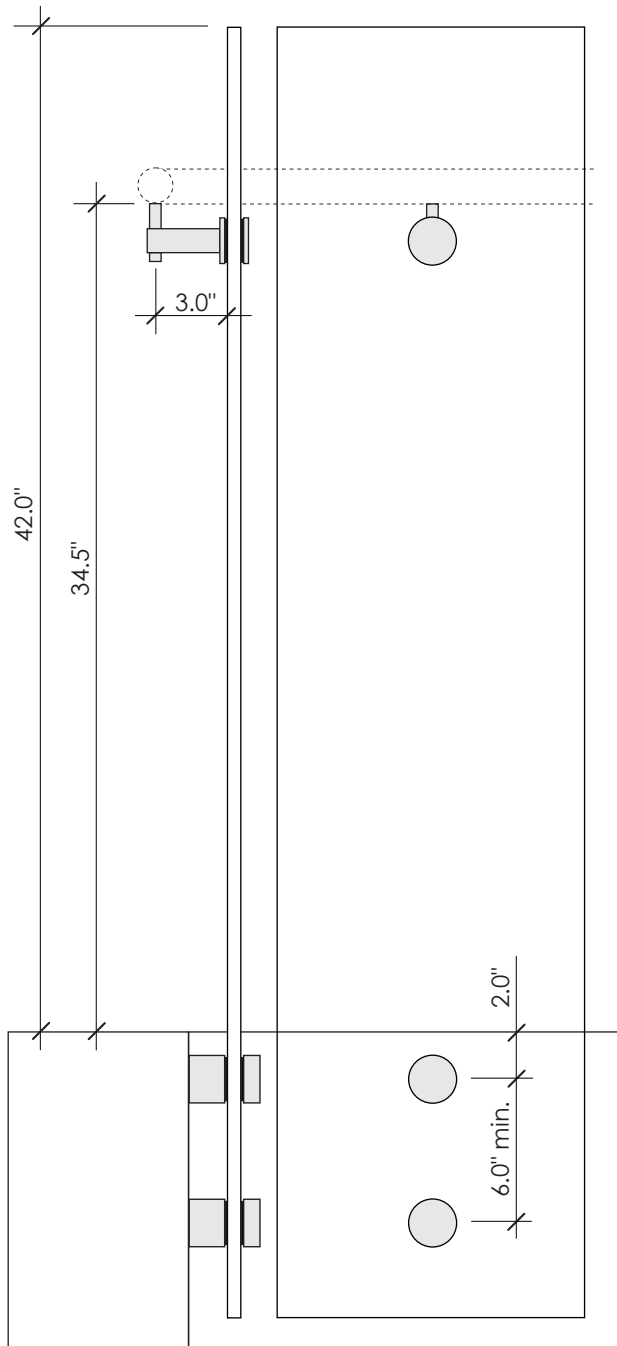
Gasket (1/16" thick)

Standoff Base T - SS350

Standoff Nut - SS352

SETS

SS355-10D20	1" high Standoff Base T and 3/4" Nut, 2" diameter (1/2-13 thread), Including two gaskets and sleeve
SS355-15D20	1-1/2" high Standoff Base T and 3/4" high Nut, 2" diameter (1/2-13 thread), Including two gaskets and sleeve
SS355-20D20	2" high Standoff Base T and 3/4" high Nut, 2" diameter (1/2-13 thread), Including two gaskets and sleeve
SS355-10D25	1" high Standoff Base T and 3/4" high Nut, 2-1/2" diameter (1/2-13 thread), Including two gaskets and sleeve
SS355-15D25	1-1/2" high Standoff Base T and 3/4" high Nut, 2-1/2" diameter (1/2-13 thread), Including two gaskets and sleeve
SS355-20D25	2" high Standoff Base T and 3/4" high Nut, 2-1/2" diameter (1/2-13 thread), Including two gaskets and sleeve
SS355-10D30	1" high Standoff Base T and 3/4" high Nut, 3" diameter (1/2-13 thread), Including two gaskets and sleeve
SS355-15D30	1-1/2" high Standoff Base T and 3/4" high Nut, 3" diameter (1/2-13 thread), Including two gaskets and sleeve
SS355-20D30	2" high Standoff Base T and 3/4" high Nut, 3" diameter (1/2-13 thread), Including two gaskets and sleeve



Specification

- ▶ System Components
 - Standoff Set SS355
 - Threaded Rod
 - Rail Support Bracket - SS109-G
- ▶ Material
 - Stainless Steel 304, 316
- ▶ Finish
 - #4 (220grit) Brushed

Holes in glass 1" diameter

36" Hand Rail