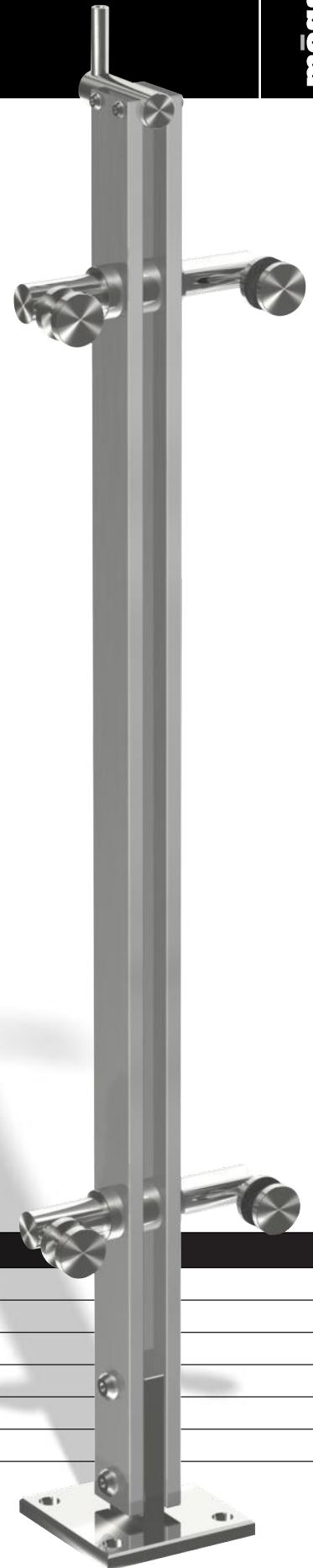
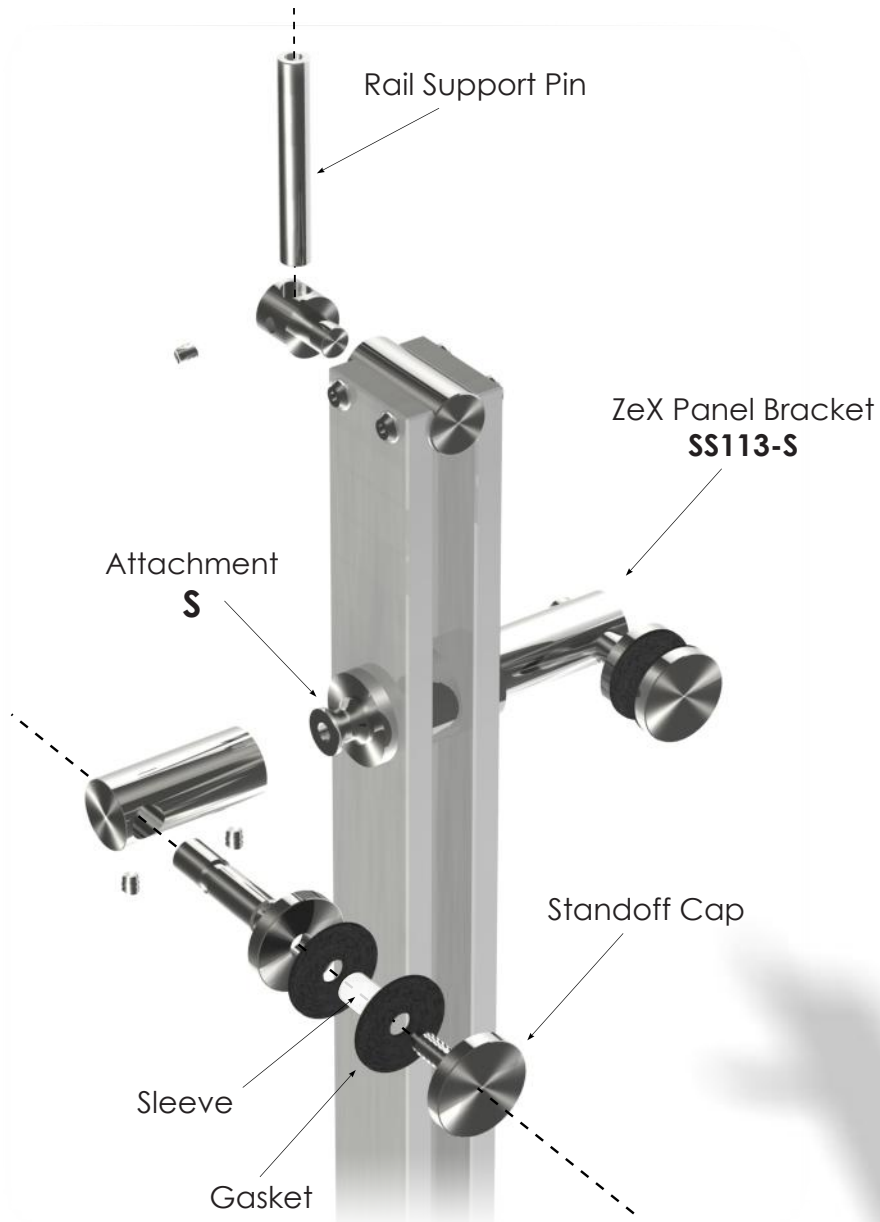


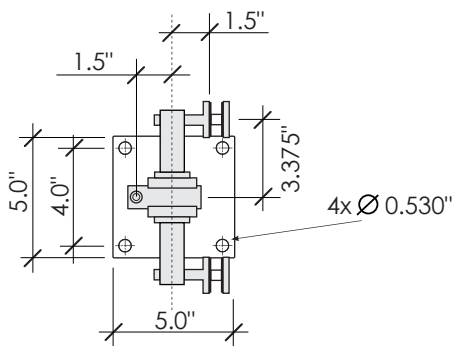
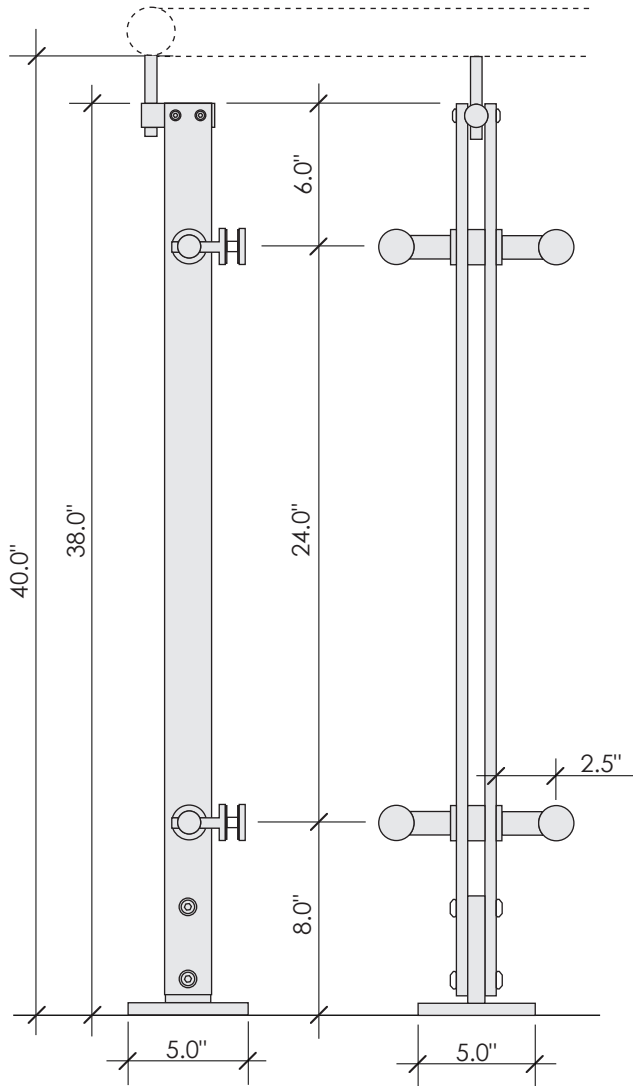
ZeX





MODELS

SS313	ZeX Double Sided POST
SS413	ZeX Single Sided POST
SS513	ZeX Double Sided Vertical POST
SS613	ZeX Single Sided Vertical POST
SS713	ZeX Post – No Panel Brackets
SS813	ZeX Vertical Post – No Panel Brackets



Specification

► Assembly Components

Double flat bar 1/2" x 2",
 Rail Support - 2" high vertical pin (height adjustment),
 4 SS113-S ZeX Panel Brackets,
 Base Flange 5" x 5" x 1/2"

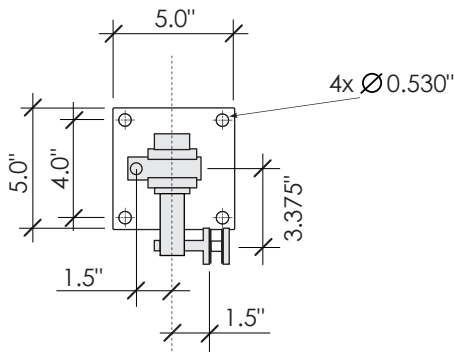
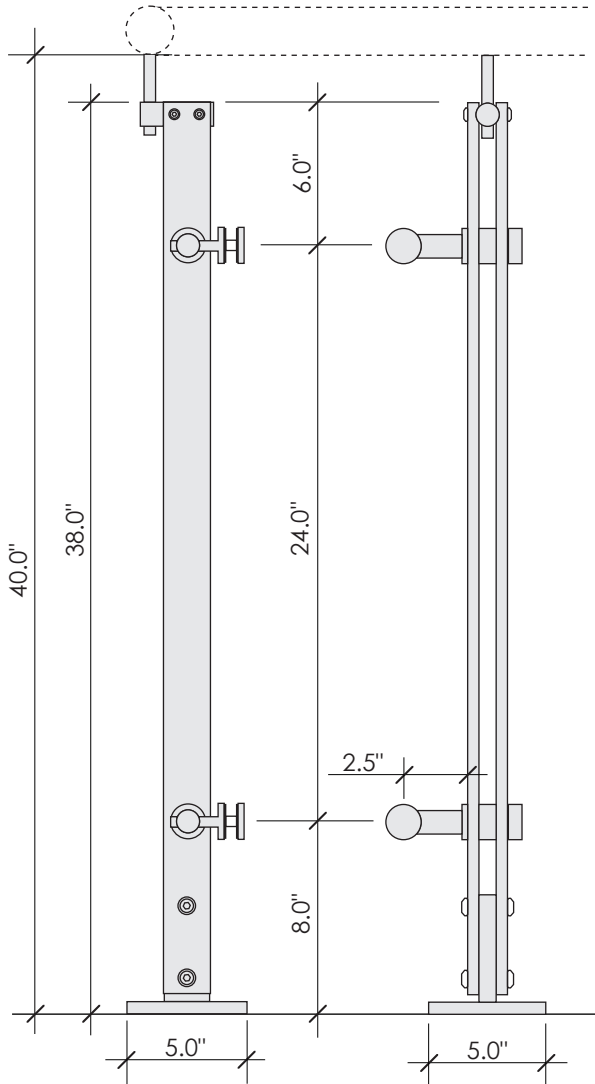
► Material

Stainless Steel 304, 316

► Finish

#4 (220grit) Brushed

42" Guard Rail



Specification

► Assembly Components

Double flat bar $\frac{1}{2}$ " x 2",
 Rail Support - 2" high vertical pin (height adjustment),
 2 SS113-S ZeX Panel Brackets,
 Base Flange 5" x 5" x $\frac{1}{2}$ "

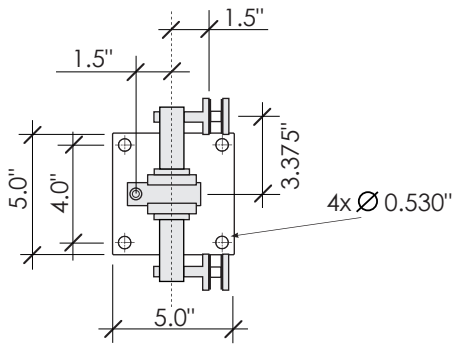
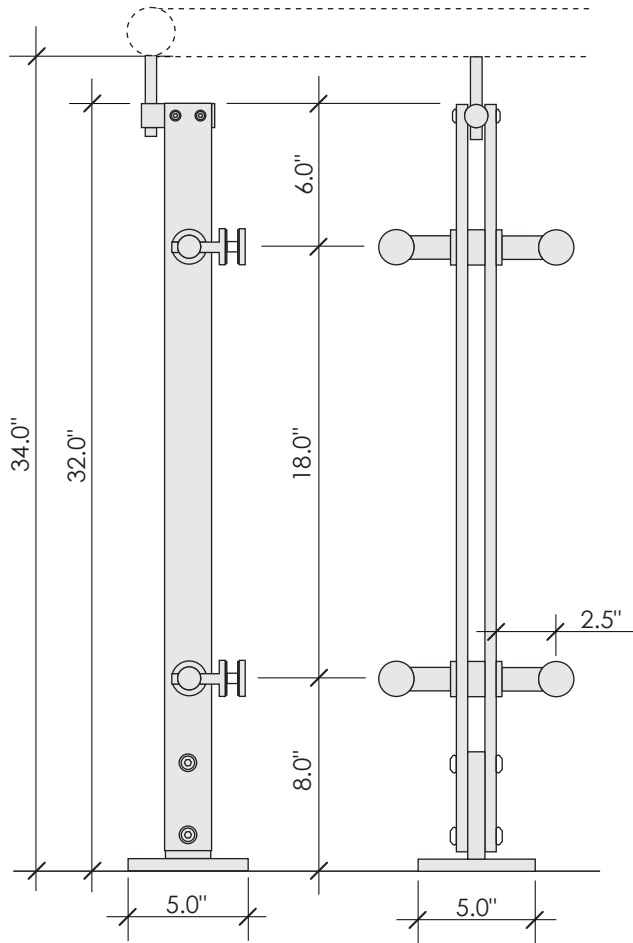
► Material

Stainless Steel 304, 316

► Finish

#4 (220grit) Brushed

42" Guard Rail



Specification

► Assembly Components

Double flat bar 1/2" x 2",
 Rail Support - 2" high vertical pin (height adjustment),
 4 SS113-S ZeX Panel Brackets,
 Base Flange 5" x 5" x 1/2"

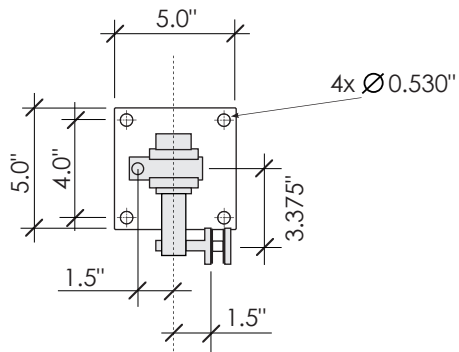
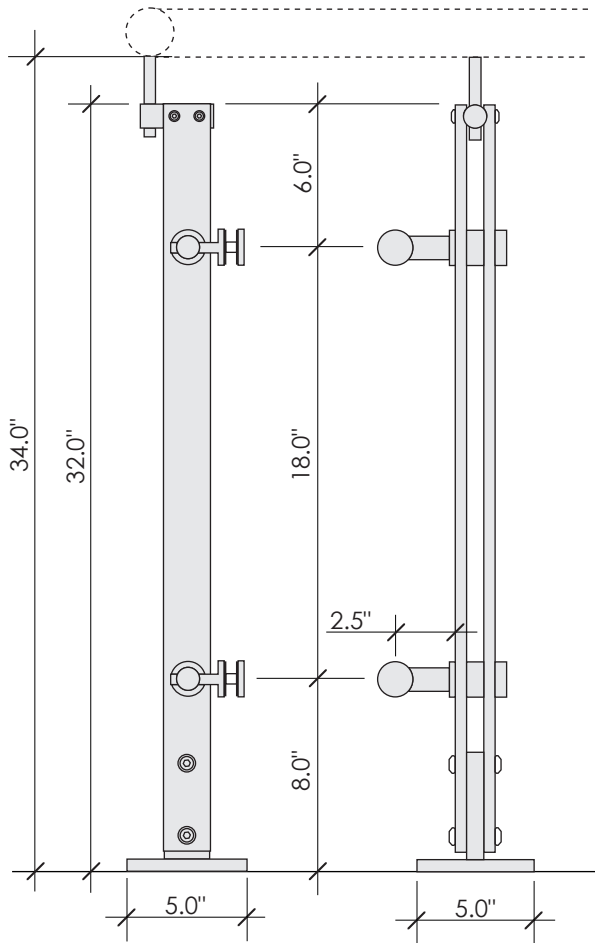
► Material

Stainless Steel 304, 316

► Finish

#4 (220grit) Brushed

36" Guard Rail



Specification

► Assembly Components

Double flat bar $\frac{1}{2}$ " x 2",
 Rail Support - 2" high vertical pin (height adjustment),
 2 SS113-S ZeX Panel Brackets,
 Base Flange 5" x 5" x $\frac{1}{2}$ "

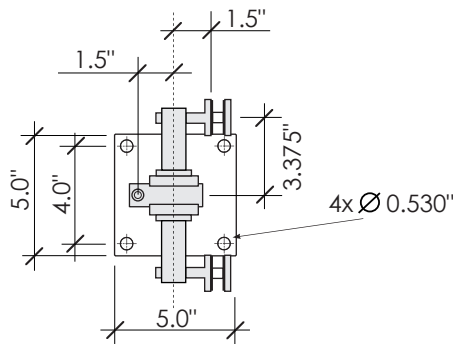
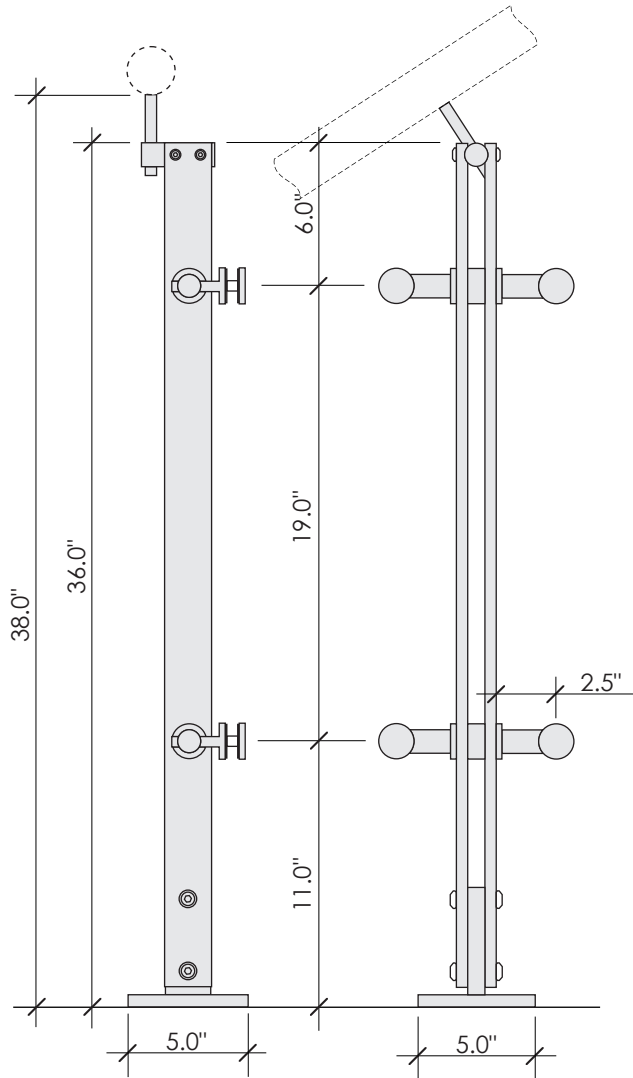
► Material

Stainless Steel 304, 316

► Finish

#4 (220grit) Brushed

36" Guard Rail



Specification

► Assembly Components

Double flat bar $\frac{1}{2}$ " x 2",
 Rail Support - 2" high vertical pin (height adjustment),
 4 SS113-S ZeX Panel Brackets,
 Base Flange 5" x 5" x $\frac{1}{2}$ "

► Material

Stainless Steel 304, 316

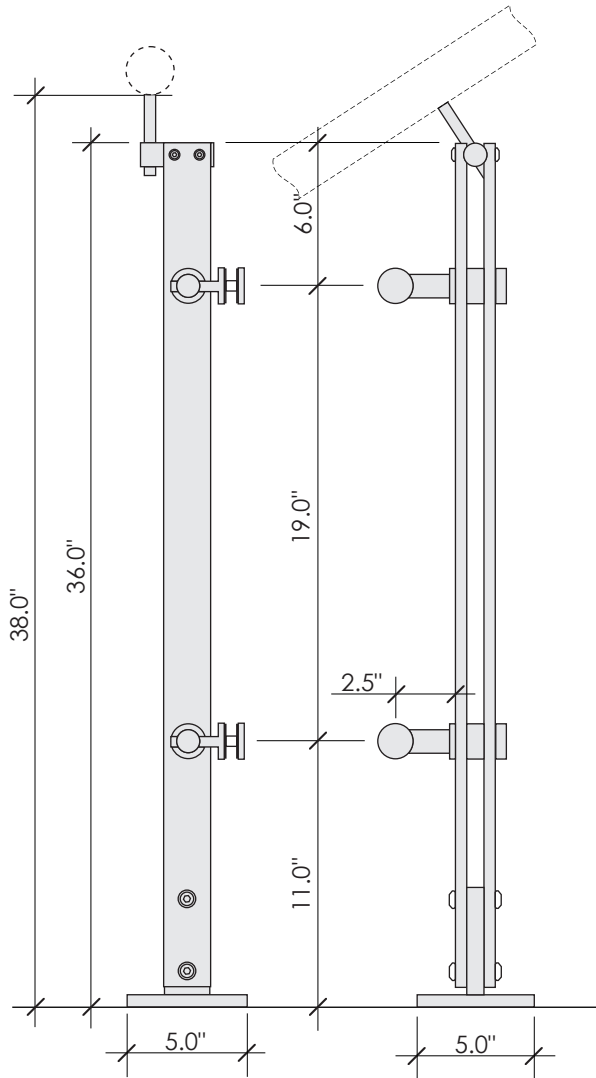
► Finish

#4 (220grit) Brushed

37" Stairs

SS413-S ZeX Single Sided Post

moggi



Specification

► Assembly Components

Double flat bar 1/2" x 2",
Rail Support - 2" high vertical pin (height adjustment),
2 SS113-S ZeX Panel Brackets,
Base Flange 5" x 5" x 1/2"

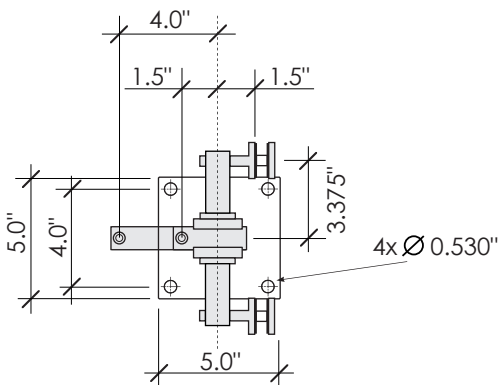
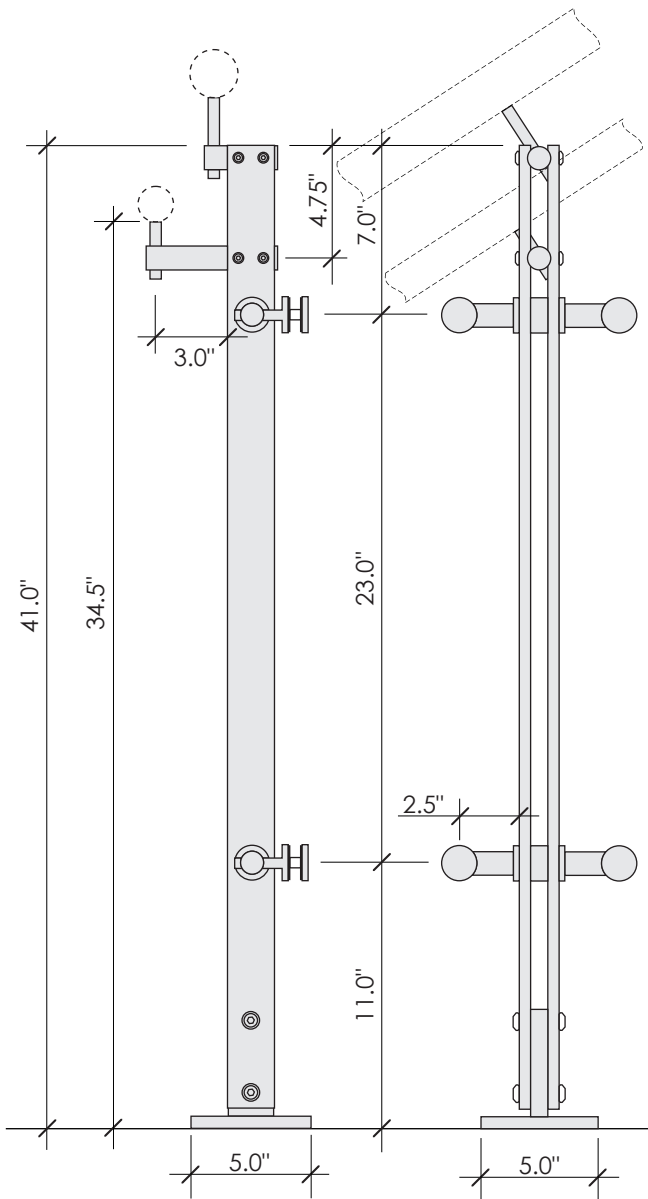
► Material

Stainless Steel 304, 316

► Finish

#4 (220grit) Brushed

37" Stairs



Specification

► Assembly Components

Double flat bar 1/2" x 2",
 Rail Support - 2" high vertical pin (height adjustment),
 SS114-L3 Rail Support - 1" high vertical pin
 4 SS113-S ZeX Panel Brackets,
 Base Flange 5" x 5" x 1/2"

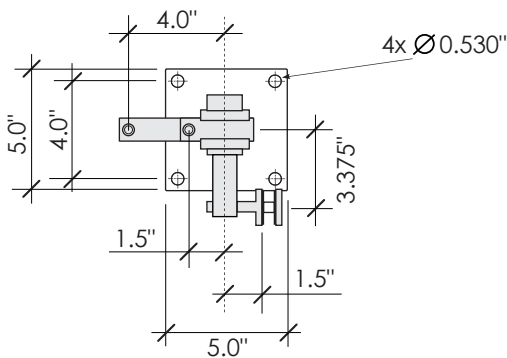
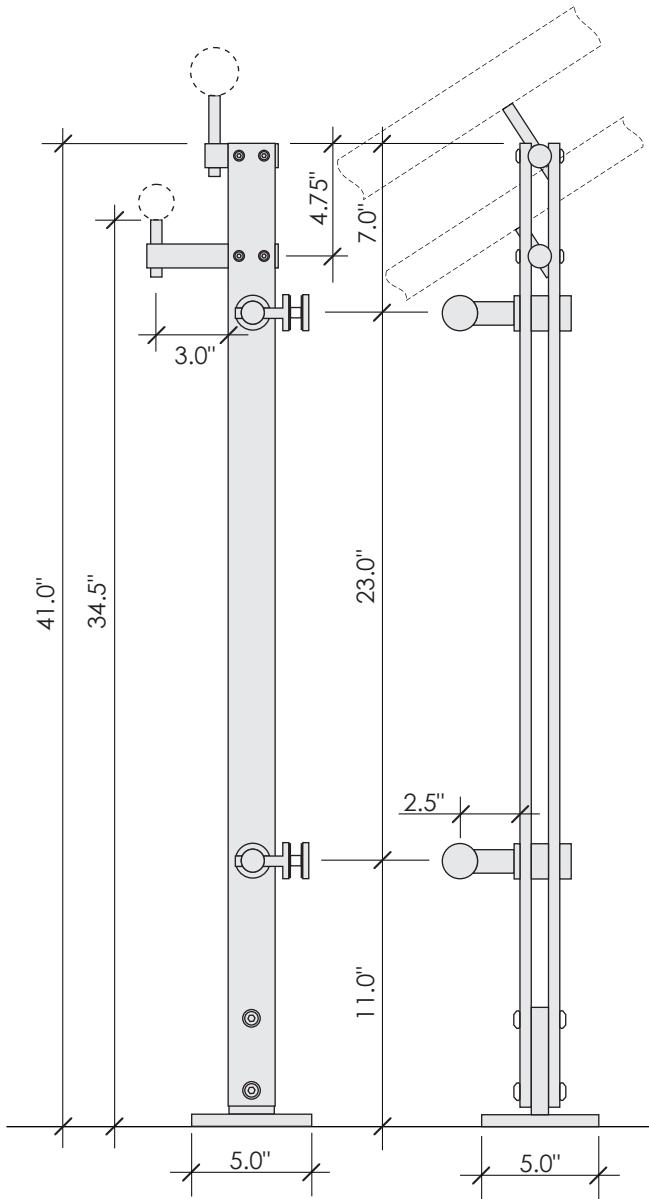
► Material

Stainless Steel 304, 316

► Finish

#4 (220grit) Brushed

42" + 36" Stairs



Specification

► Assembly Components

Double flat bar 1/2" x 2",
 Rail Support - 2" high vertical pin (height adjustment),
 SS114-L3 Rail Support - 1" high vertical pin
 2 SS113-S ZeX Panel Brackets,
 Base Flange 5" x 5" x 1/2"

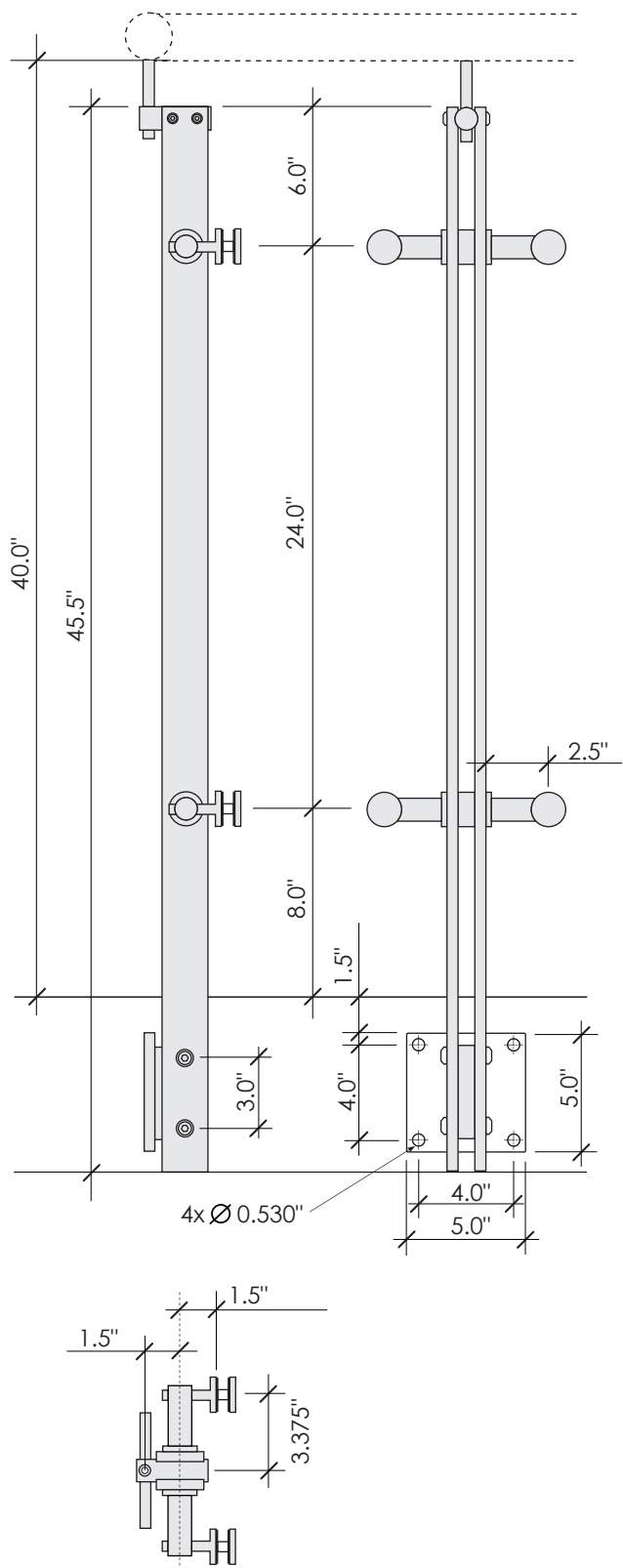
► Material

Stainless Steel 304, 316

► Finish

#4 (220grit) Brushed

42" + 36" Stairs



Specification

► Assembly Components

Double flat bar ½" x 2",
 Rail Support - 2" high vertical pin (height adjustment),
 4 SS113-S ZeX Panel Brackets,
 Vertical Base Flange 5" x 5" x ½"

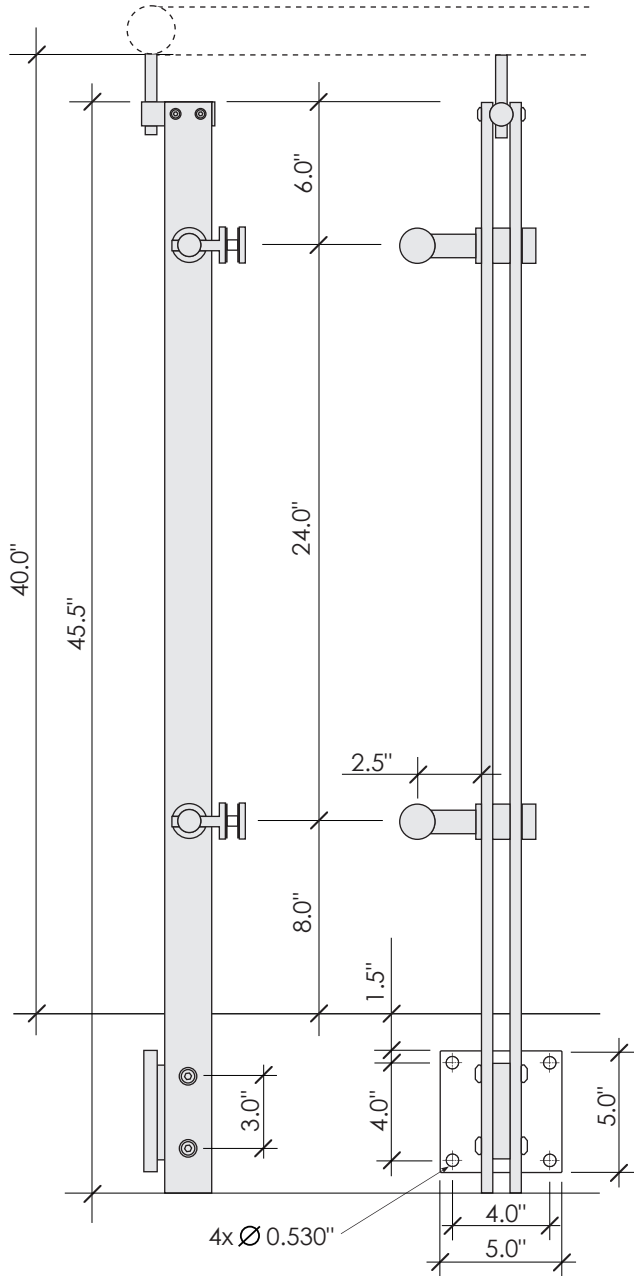
► Material

Stainless Steel 304, 316

► Finish

#4 (220grit) Brushed

42" Guard Rail



Specification

► Assembly Components

Double flat bar 1/2" x 2",
 Rail Support - 2" high vertical pin (height adjustment),
 2 SS113-S ZeX Panel Brackets,
 Vertical Base Flange 5" x 5" x 1/2"

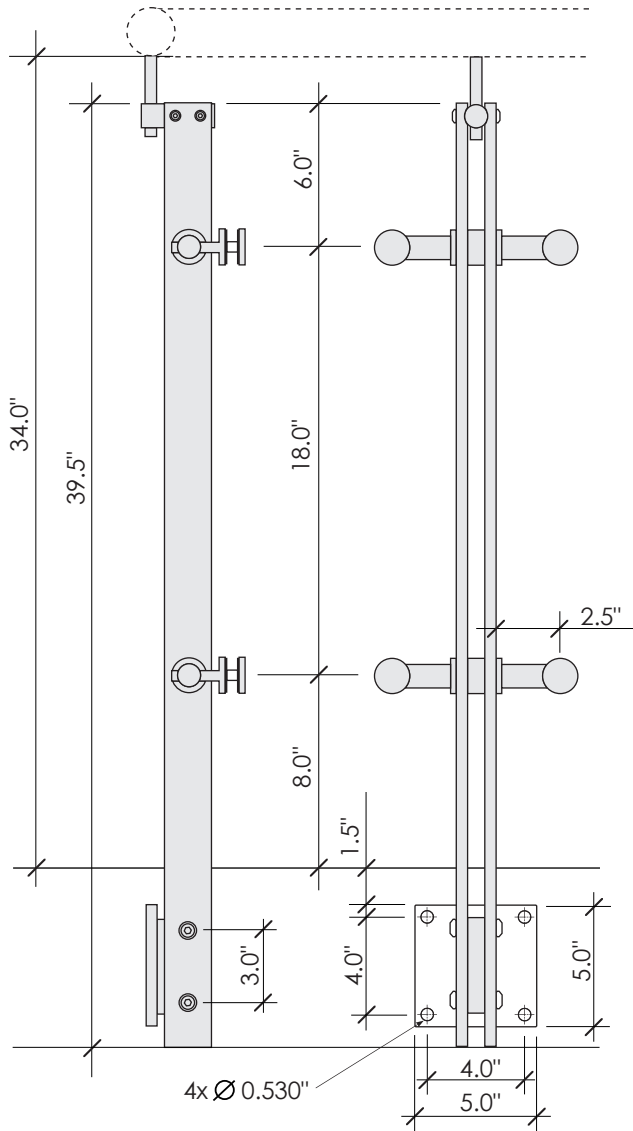
► Material

Stainless Steel 304, 316

► Finish

#4 (220grit) Brushed

42" Guard Rail



Specification

► Assembly Components

Double flat bar 1/2" x 2",
 Rail Support - 2" high vertical pin (height adjustment),
 4 SS113-S ZeX Panel Brackets,
 Vertical Base Flange 5" x 5" x 1/2"

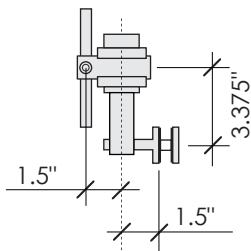
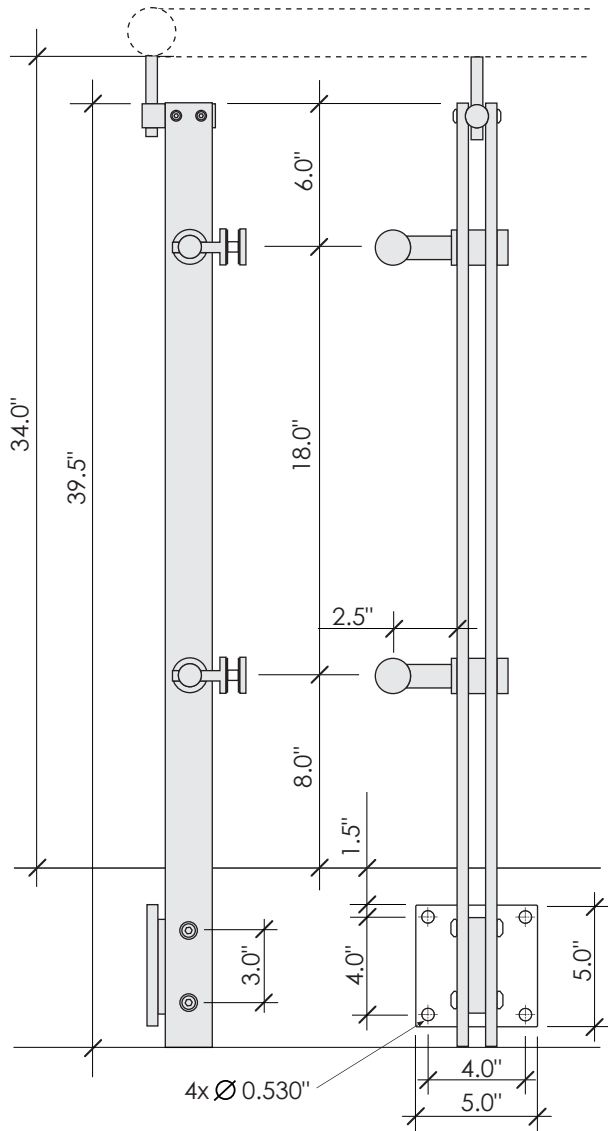
► Material

Stainless Steel 304, 316

► Finish

#4 (220grit) Brushed

36" Guard Rail



Specification

► Assembly Components

Double flat bar 1/2" x 2",
 Rail Support - 2" high vertical pin (height adjustment),
 2 SS113-S ZeX Panel Brackets,
 Vertical Base Flange 5" x 5" x 1/2"

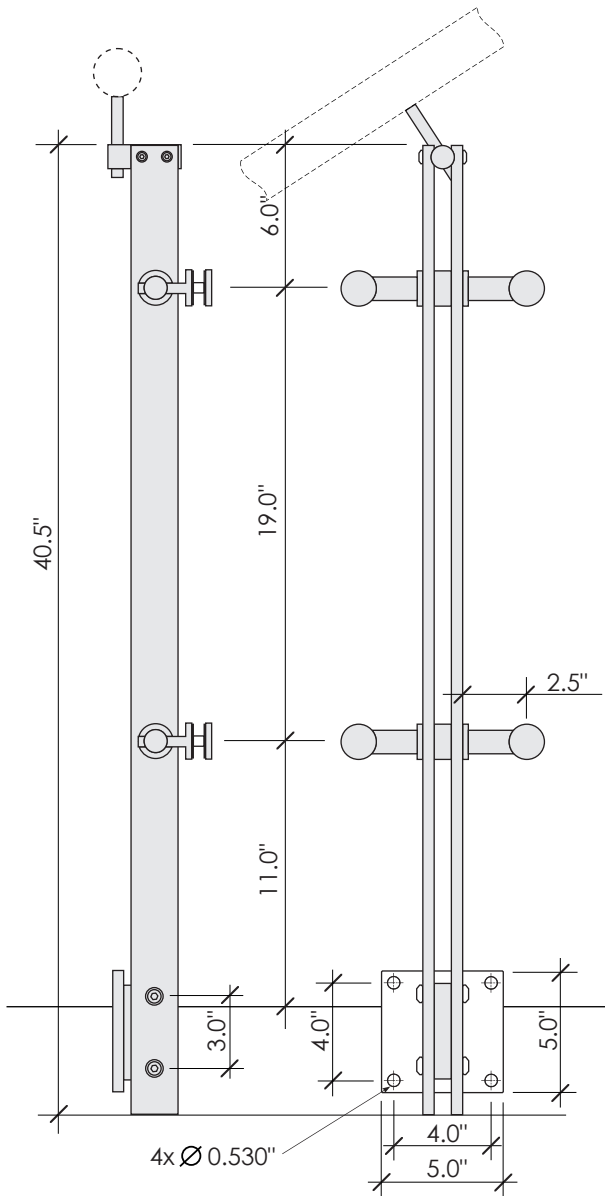
► Material

Stainless Steel 304, 316

► Finish

#4 (220grit) Brushed

36" Guard Rail



Specification

► Assembly Components

Double flat bar 1/2" x 2",
 Rail Support - 2" high vertical pin (height adjustment),
 4 SS113-S ZeX Panel Brackets,
 Vertical Base Flange 5" x 5" x 1/2"

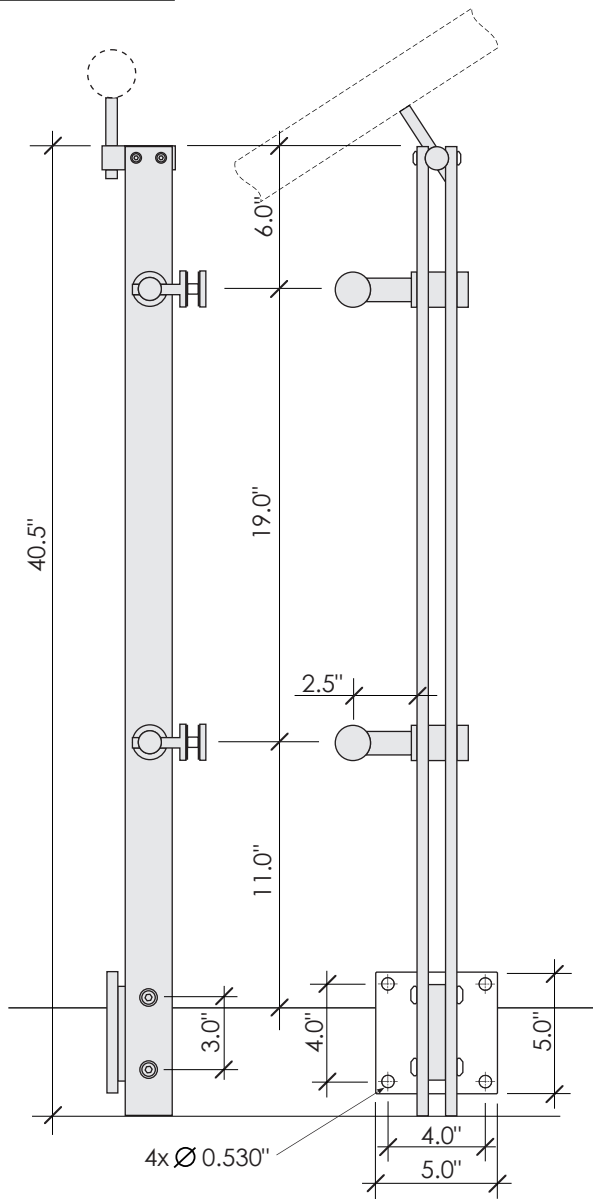
► Material

Stainless Steel 304, 316

► Finish

#4 (220grit) Brushed

37" Stairs



Specification

► Assembly Components

Double flat bar ½" x 2",
 Rail Support - 2" high vertical pin (height adjustment),
 2 SS113-S ZeX Panel Brackets,
 Vertical Base Flange 5" x 5" x ½"

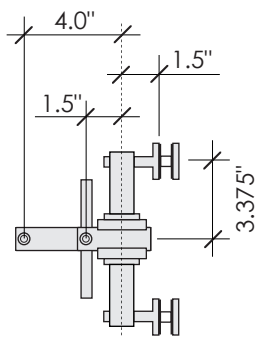
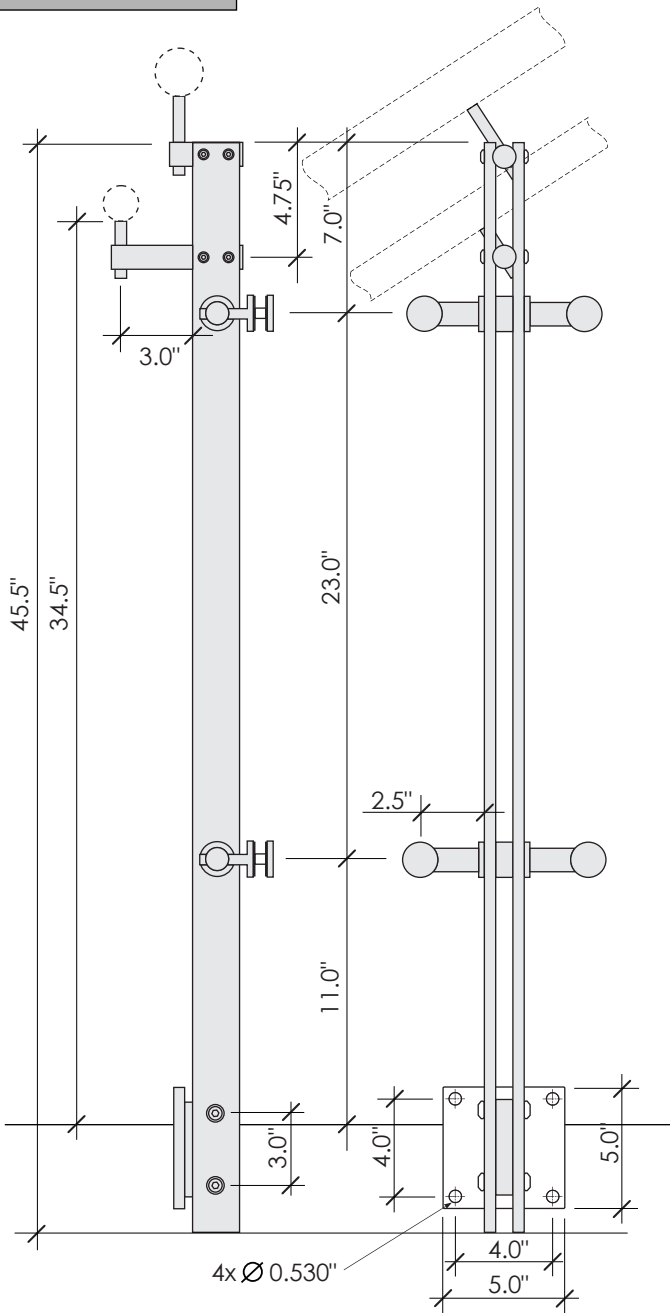
► Material

Stainless Steel 304, 316

► Finish

#4 (220grit) Brushed

37" Stairs



Specification

► Assembly Components

- Double flat bar ½" x 2",
- Rail Support - 2" high vertical pin (height adjustment),
- SS114-L3 Rail Support - 1" high vertical pin
- 4 SS113-S ZeX Panel Brackets,
- Vertical Base Flange 5" x 5" x ½"

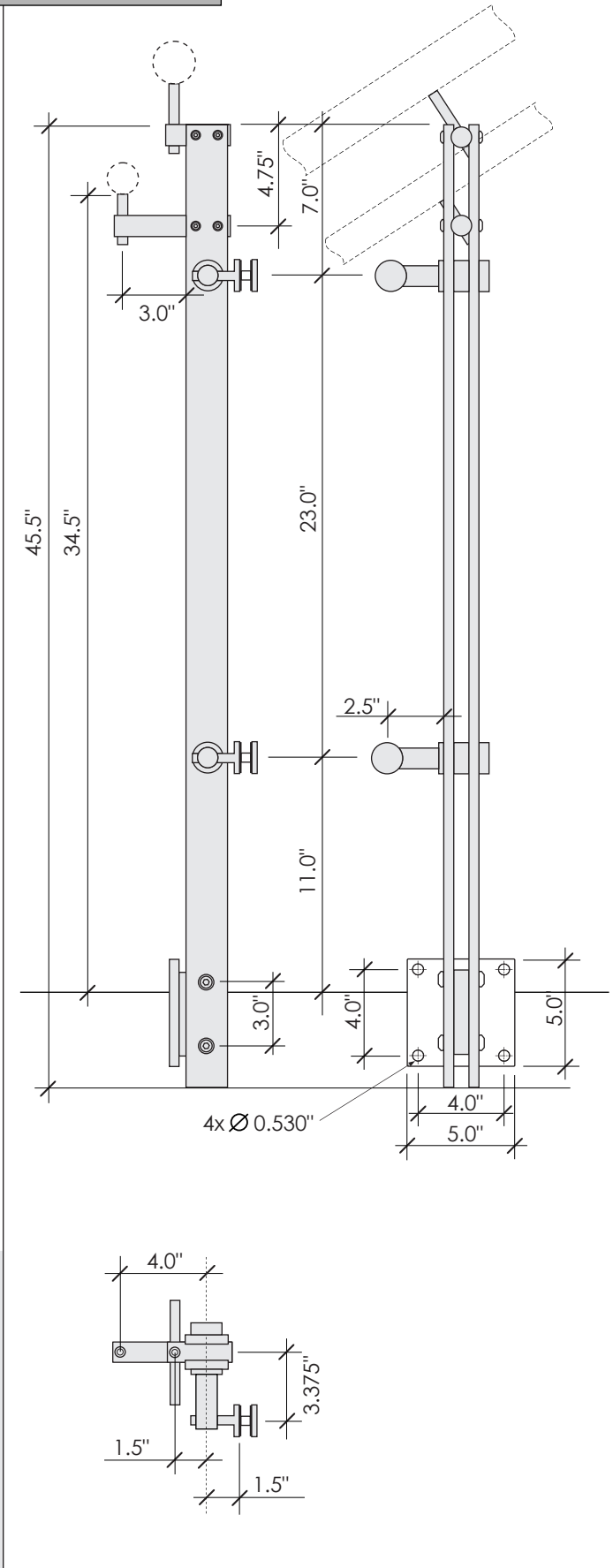
► Material

Stainless Steel 304, 316

► Finish

#4 (220grit) Brushed

42" + 36" Stairs



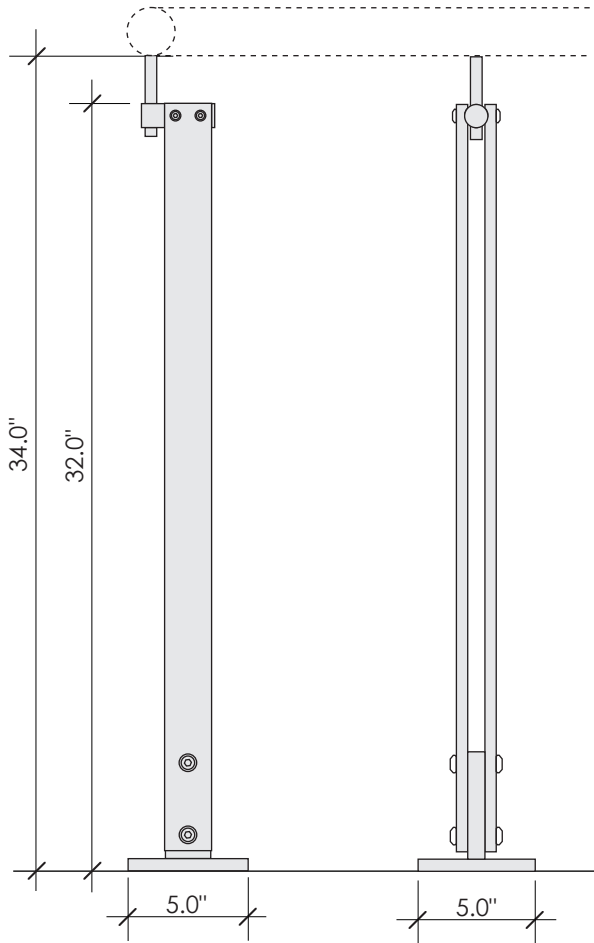
Specification

- ▶ Assembly Components
 - Double flat bar 1/2" x 2",
 - Rail Support - 2" high vertical pin (height adjustment),
 - SS114-L3 Rail Support - 1" high vertical pin
 - 2 SS113-S ZeX Panel Brackets,
 - Vertical Base Flange 5" x 5" x 1/2"

- ▶ Material
 - Stainless Steel 304, 316

- ▶ Finish
 - #4 (220grit) Brushed

42" + 36" Stairs



Specification

► Assembly Components

Double flat bar 1/2" x 2",
 Rail Support - 2" high vertical pin (height adjustment),
 Base Flange 5" x 5" x 1/2"

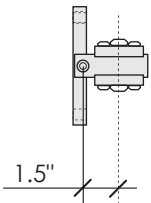
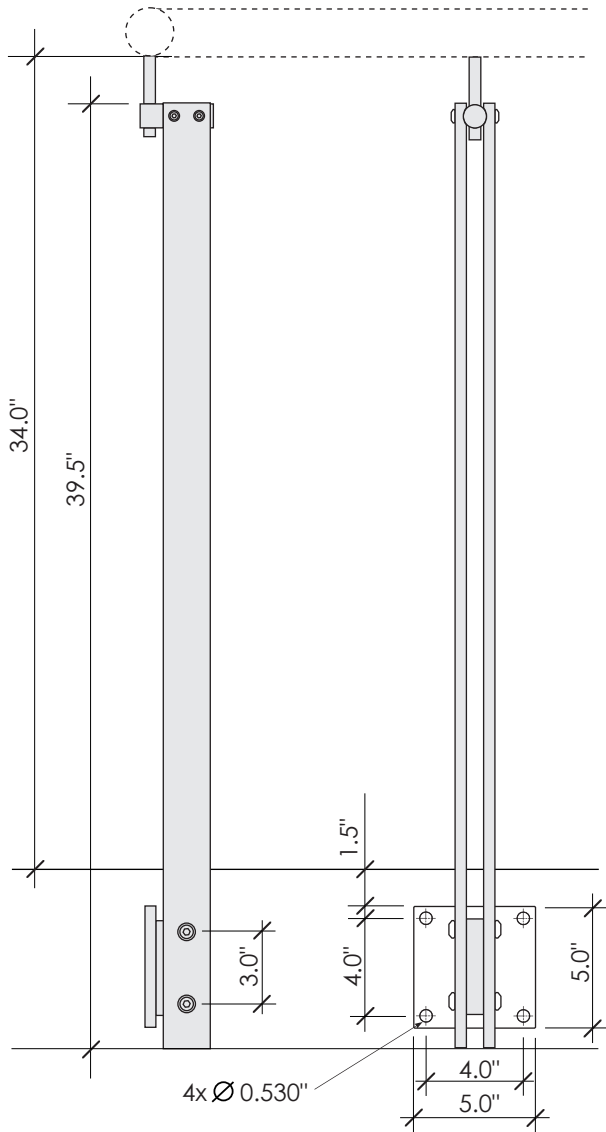
► Material

Stainless Steel 304, 316

► Finish

#4 (220grit) Brushed

36" Hand Rail



Specification

► Assembly Components

Double flat bar 1/2" x 2",
 Rail Support - 2" high vertical pin (height adjustment),
 Vertical Base Flange 5" x 5" x 1/2"

► Material

Stainless Steel 304, 316

► Finish

#4 (220grit) Brushed

36" Hand Rail