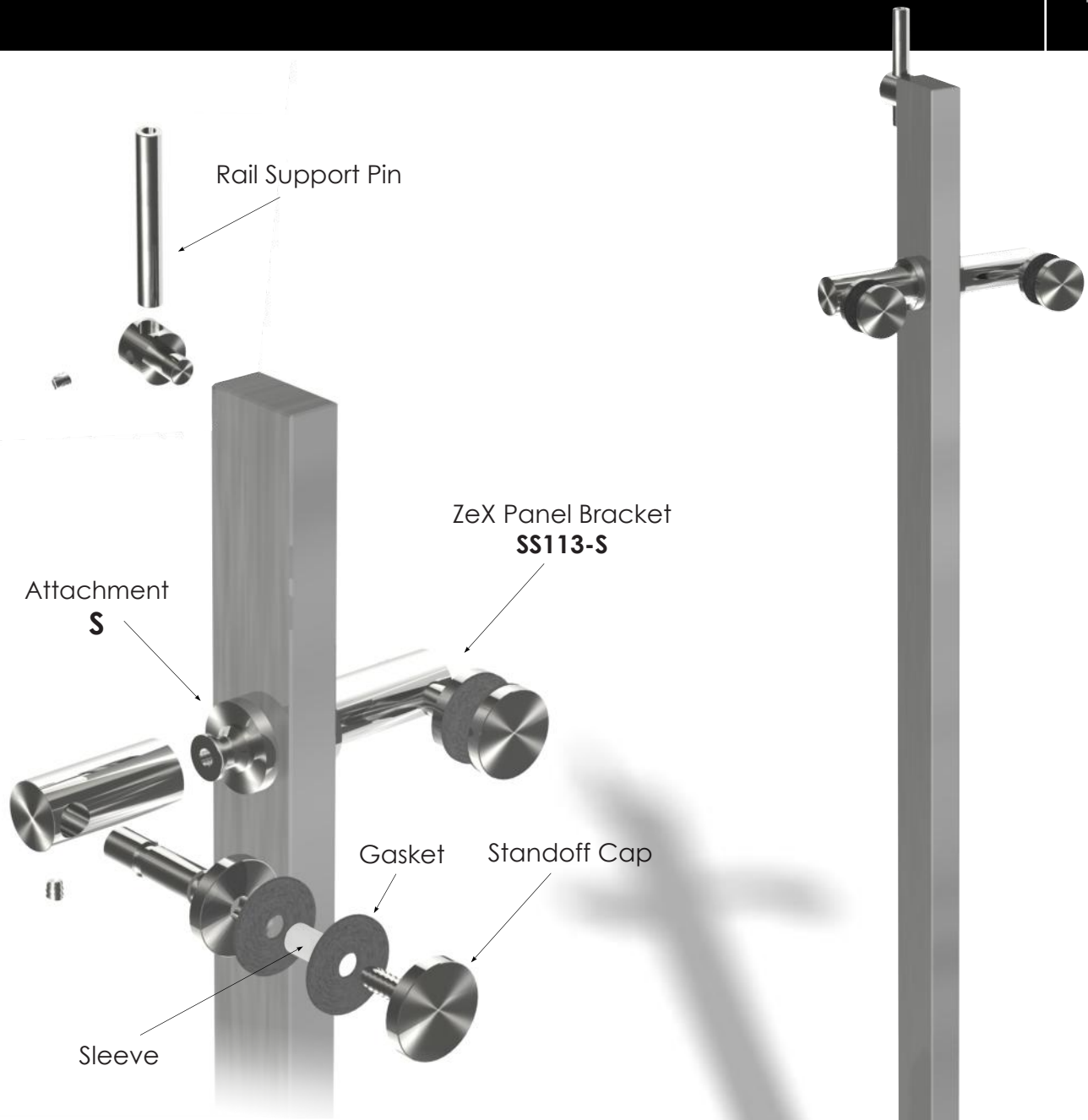


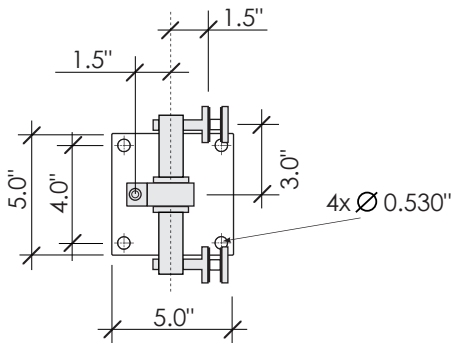
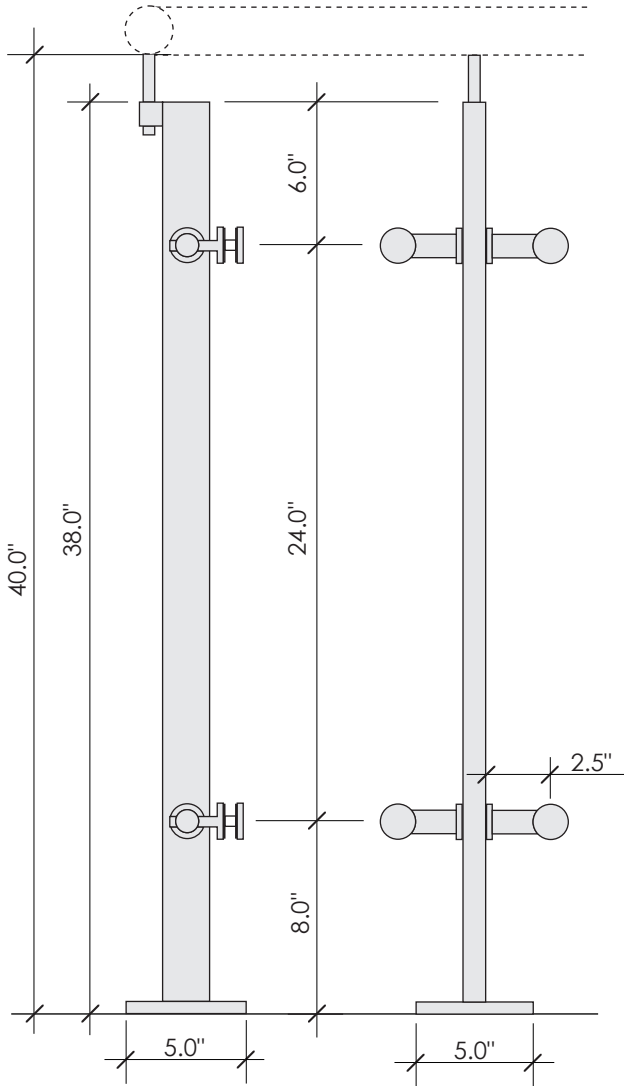
ZeTera





MODELS

SS271	ZeTera Double Sided POST
SS272	ZeTera Single Sided POST
SS273	ZeTera Double Sided Vertical POST
SS274	ZeTera Single Sided Vertical POST
SS300	ZeTera Post – No Panel Brackets
SS400	ZeTera Vertical Post – No Panel Brackets



Specification

► Assembly Components

Single flat bar 1" x 2",
Rail Support - 2" high vertical pin (height adjustment),
4 SS113-S ZeX Panel Brackets,
Base Flange 5" x 5" x 1/2"

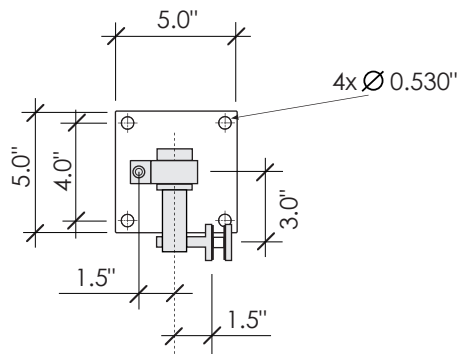
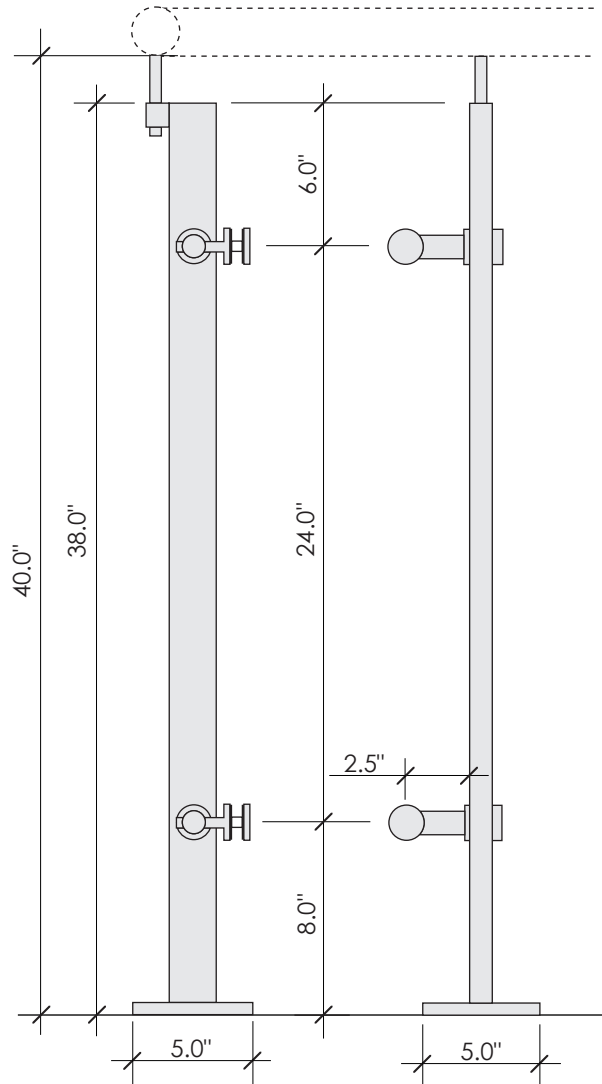
► Material

Stainless Steel 304, 316

► Finish

#4 (220grit) Brushed

42" Guard Rail



Specification

► Assembly Components

Single flat bar 1" x 2",
 Rail Support - 2" high vertical pin (height adjustment),
 2 SS113-S ZeX Panel Brackets,
 Base Flange 5" x 5" x 1/2"

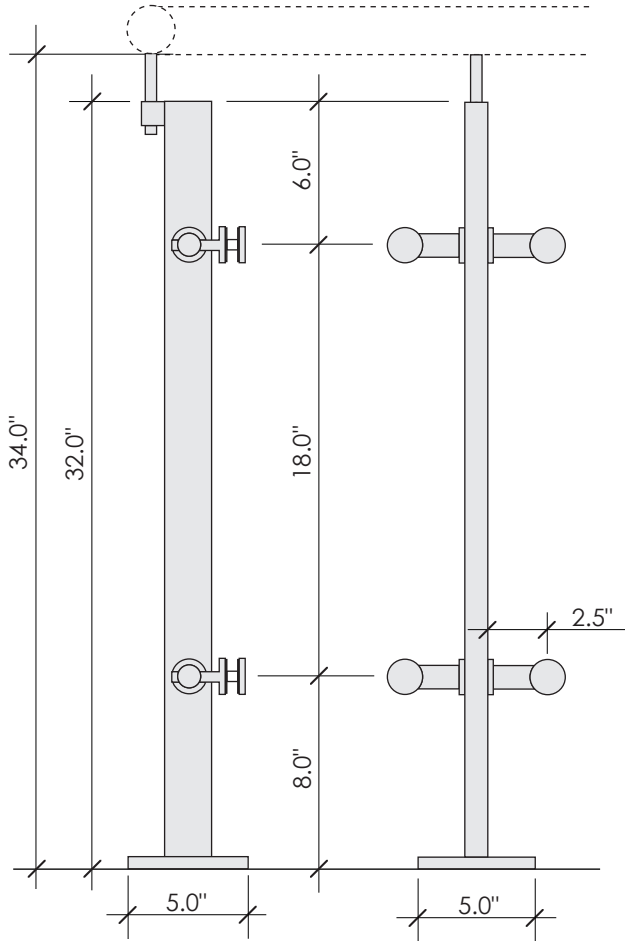
► Material

Stainless Steel 304, 316

► Finish

#4 (220grit) Brushed

42" Guard Rail



Specification

► Assembly Components

Single flat bar 1" x 2",
 Rail Support - 2" high vertical pin (height adjustment),
 4 SS113-S ZeX Panel Brackets,
 Base Flange 5" x 5" x 1/2"

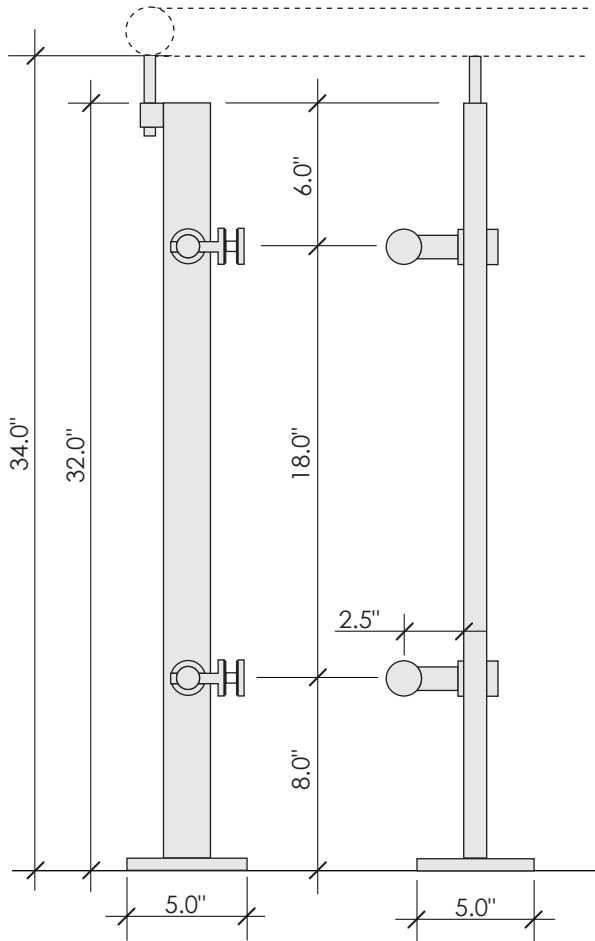
► Material

Stainless Steel 304, 316

► Finish

#4 (220grit) Brushed

36" Guard Rail



Specification

► Assembly Components

Single flat bar 1" x 2",
 Rail Support - 2" high vertical pin (height adjustment),
 2 SS113-S ZeX Panel Brackets,
 Base Flange 5" x 5" x 1/2"

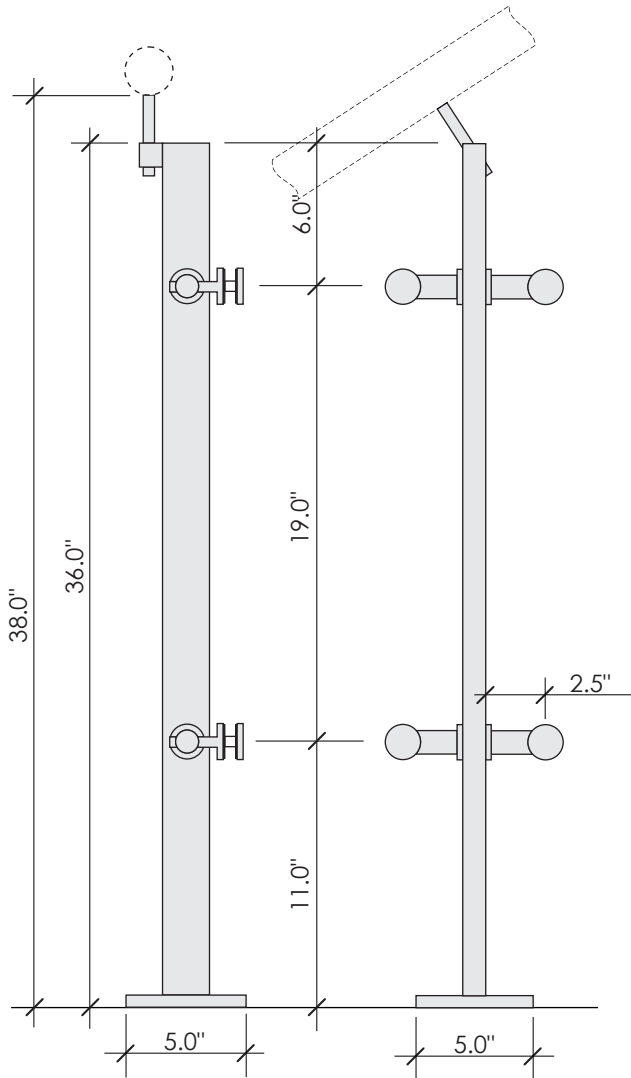
► Material

Stainless Steel 304, 316

► Finish

#4 (220grit) Brushed

36" Guard Rail



Specification

► Assembly Components

Single flat bar 1" x 2",
 Rail Support - 2" high vertical pin (height adjustment),
 4 SS113-S ZeX Panel Brackets,
 Base Flange 5" x 5" x 1/2"

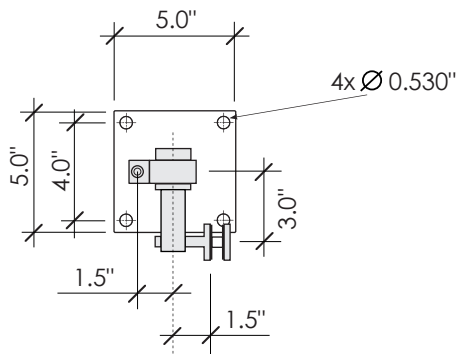
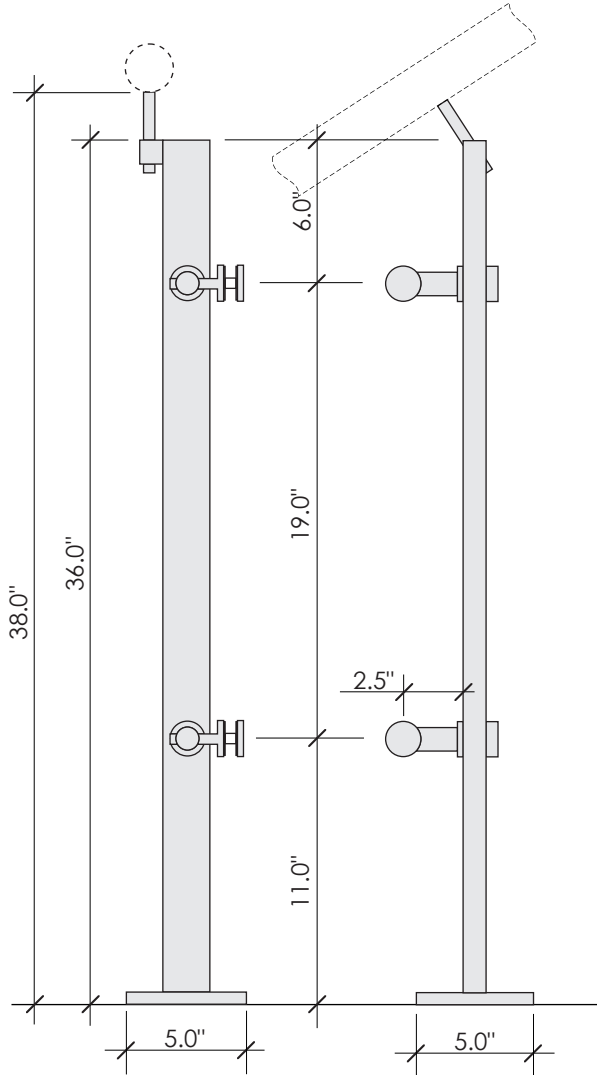
► Material

Stainless Steel 304, 316

► Finish

#4 (220grit) Brushed

37" Stairs



Specification

► Assembly Components

Single flat bar 1" x 2",
 Rail Support - 2" high vertical pin (height adjustment),
 2 SS113-S ZeX Panel Brackets,
 Base Flange 5" x 5" x 1/2"

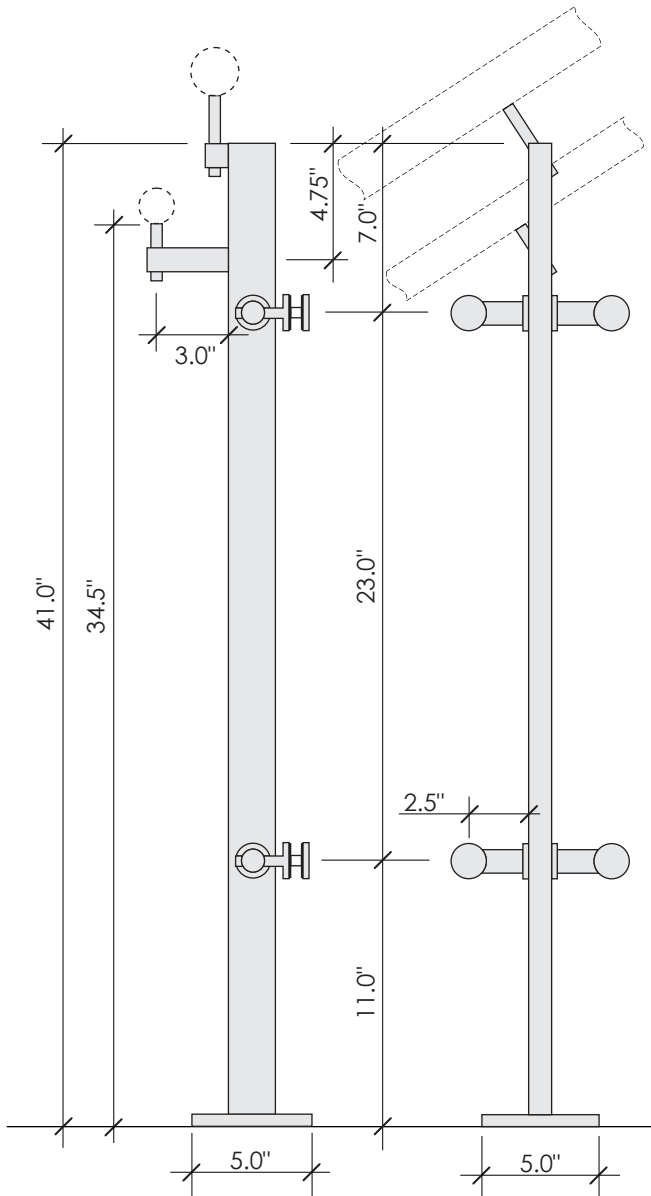
► Material

Stainless Steel 304, 316

► Finish

#4 (220grit) Brushed

37" Stairs



Specification

► Assembly Components

Single flat bar 1" x 2",
 Rail Support - 2" high vertical pin (height adjustment),
 SS214-L3 Rail Support - 1" high vertical pin
 4 SS113-S ZeX Panel Brackets,
 Base Flange 5" x 5" x 1/2"

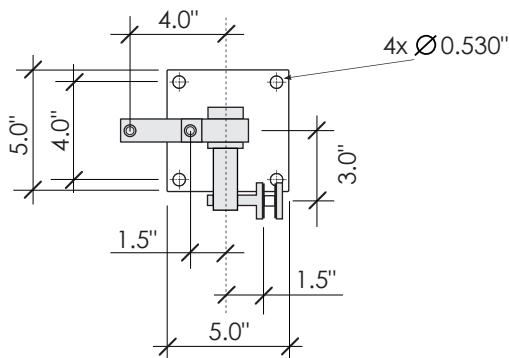
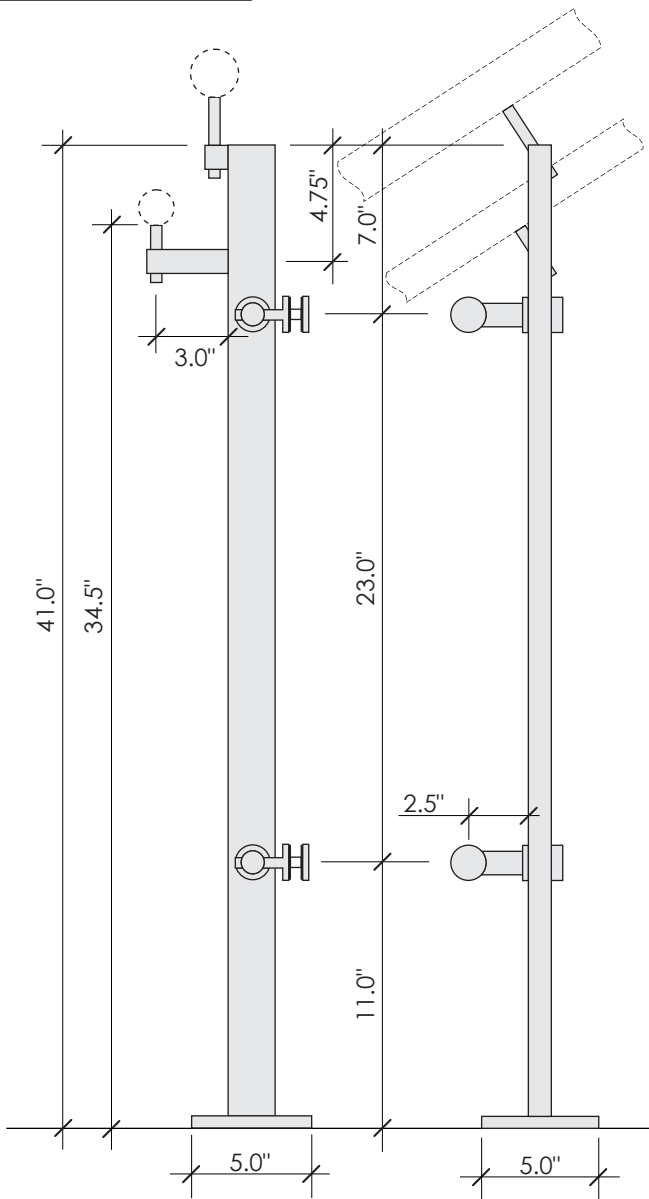
► Material

Stainless Steel 304, 316

► Finish

#4 (220grit) Brushed

42"+36" Stairs



Specification

► Assembly Components

Single flat bar 1" x 2",
 Rail Support - 2" high vertical pin (height adjustment),
 SS214-L3 Rail Support - 1" high vertical pin
 2 SS113-S ZeX Panel Brackets,
 Base Flange 5" x 5" x ½"

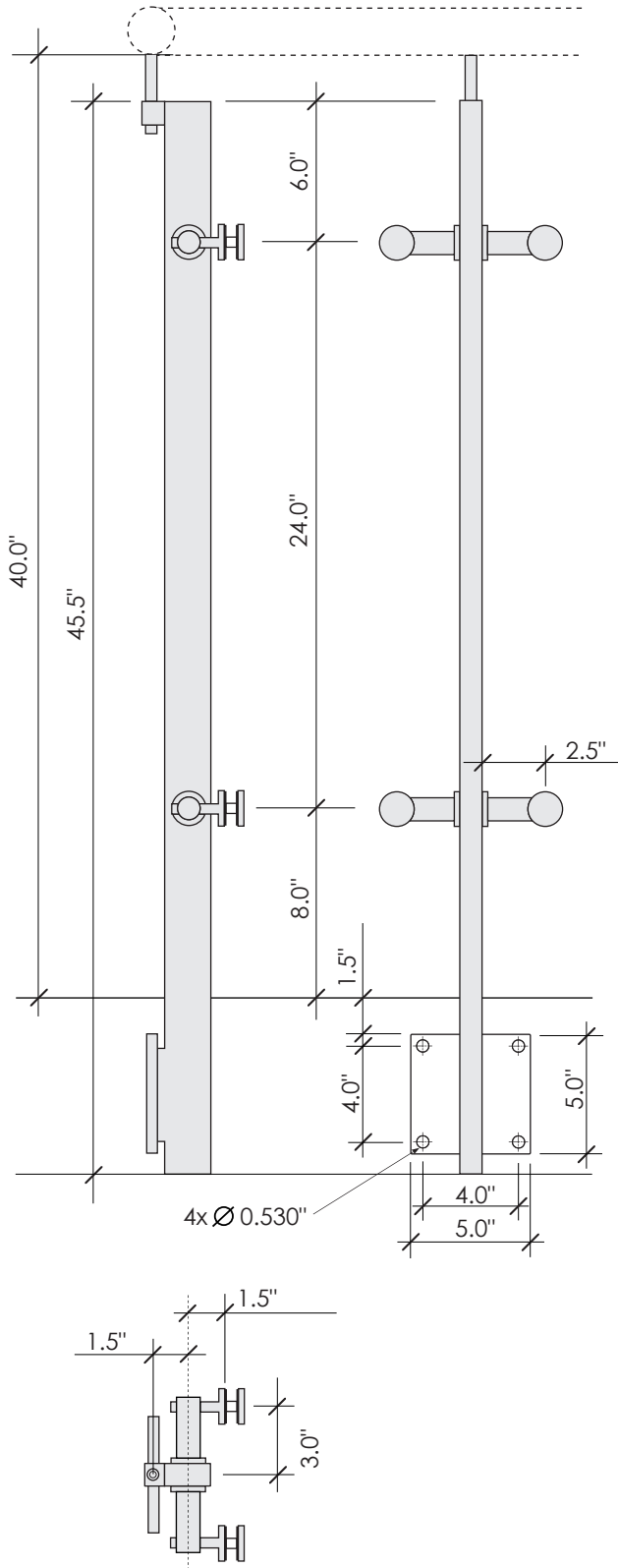
► Material

Stainless Steel 304, 316

► Finish

#4 (220grit) Brushed

42" + 36" Stairs



Specification

► Assembly Components

Single flat bar 1" x 2",
 Rail Support - 2" high vertical pin (height adjustment),
 4 SS113-S ZeX Panel Brackets,
 Vertical Base Flange 5" x 5" x 1/2"

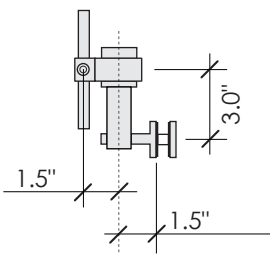
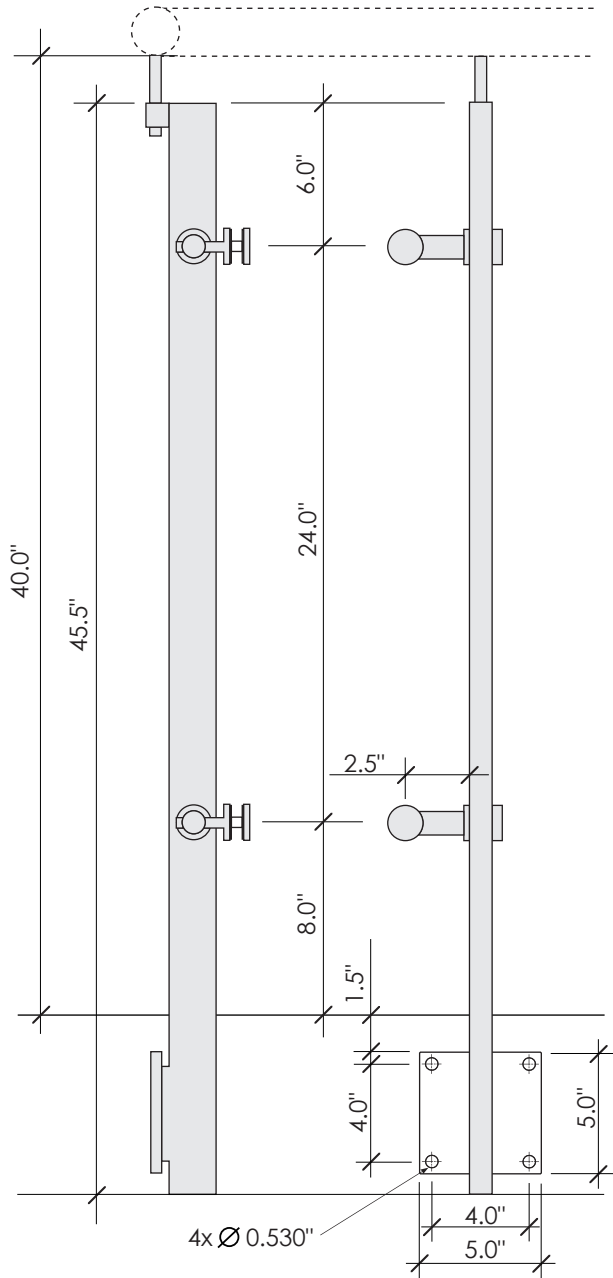
► Material

Stainless Steel 304, 316

► Finish

#4 (220grit) Brushed

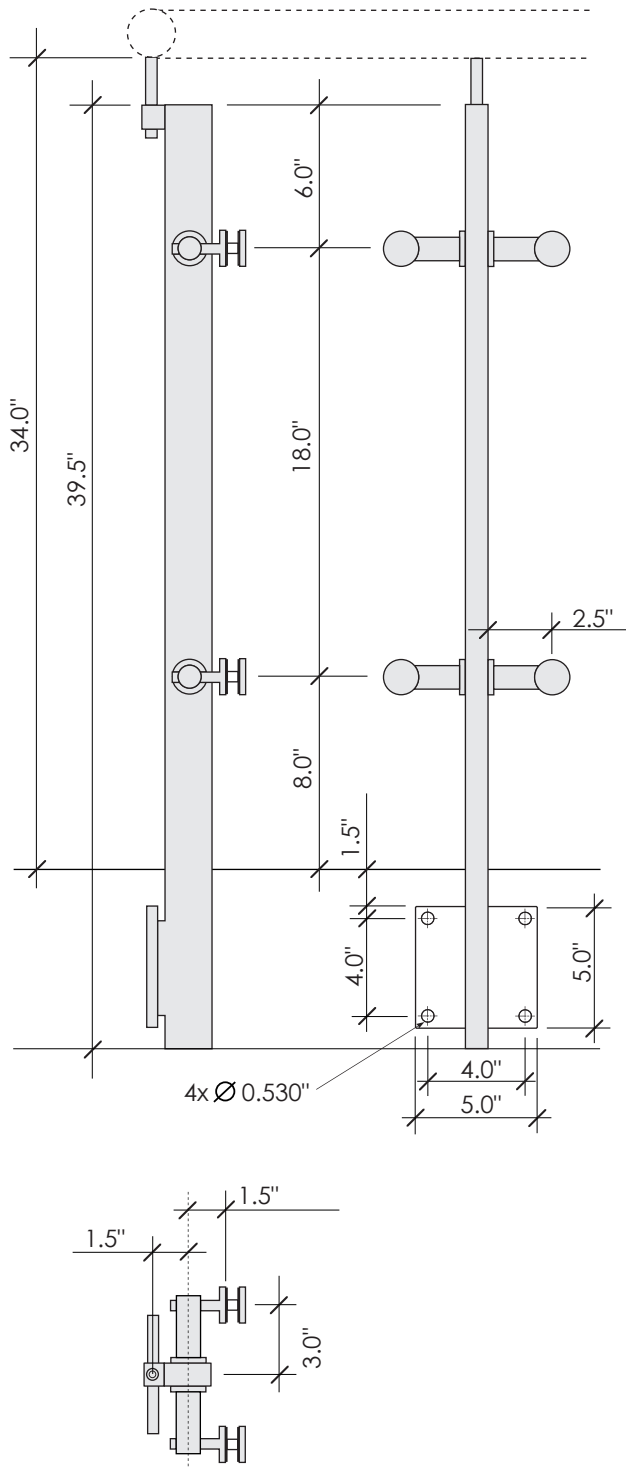
42" Guard Rail



Specification

- ▶ Assembly Components
 - Single flat bar 1" x 2",
 - Rail Support - 2" high vertical pin (height adjustment),
 - 2 SS113-S ZeX Panel Brackets,
 - Vertical Base Flange 5" x 5" x 1/2"
- ▶ Material
 - Stainless Steel 304, 316
- ▶ Finish
 - #4 (220grit) Brushed

42" Guard Rail



Specification

► Assembly Components

- Single flat bar 1" x 2",
- Rail Support - 2" high vertical pin (height adjustment),
- 4 SS113-S ZeX Panel Brackets,
- Vertical Base Flange 5" x 5" x 1/2"

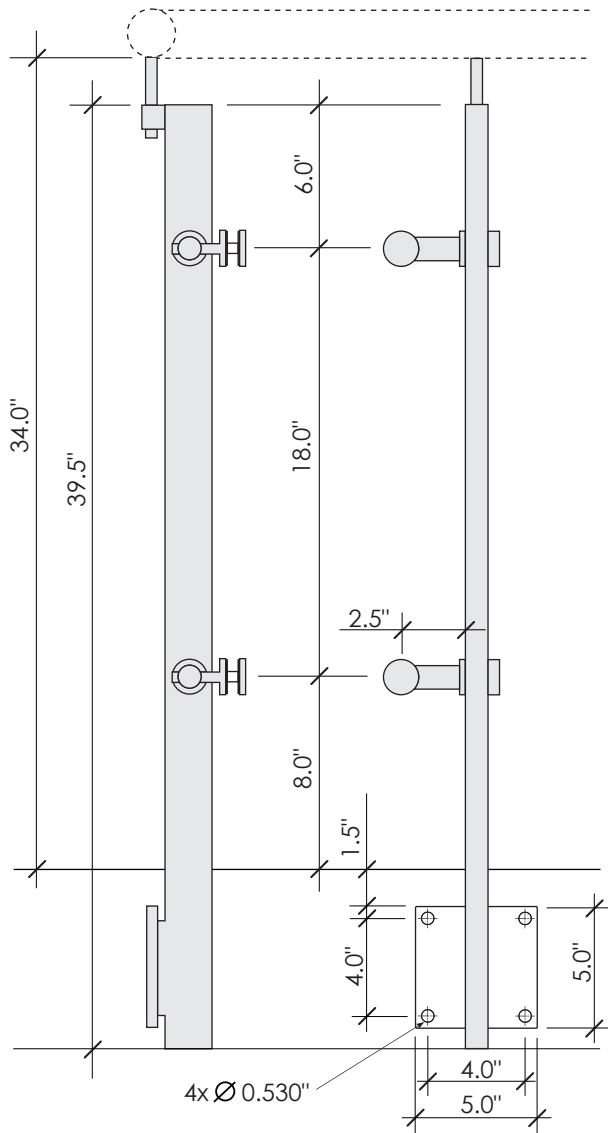
► Material

Stainless Steel 304, 316

► Finish

#4 (220grit) Brushed

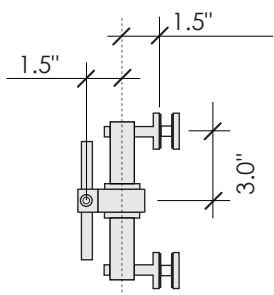
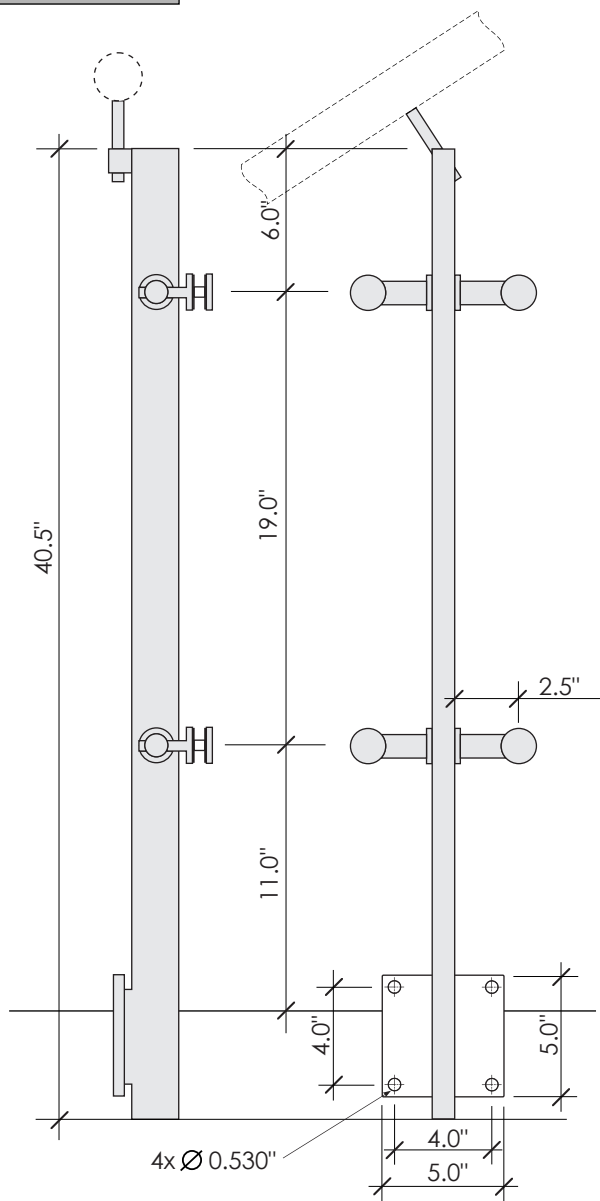
36" Guard Rail



Specification

- ▶ Assembly Components
 - Single flat bar 1" x 2",
 - Rail Support - 2" high vertical pin (height adjustment),
 - 2 SS113-S ZeX Panel Brackets,
 - Vertical Base Flange 5" x 5" x 1/2"
- ▶ Material
 - Stainless Steel 304, 316
- ▶ Finish
 - #4 (220grit) Brushed

36" Guard Rail



Specification

► Assembly Components

Single flat bar 1" x 2",
 Rail Support - 2" high vertical pin (height adjustment),
 4 SS113-S ZeX Panel Brackets,
 Vertical Base Flange 5" x 5" x 1/2"

► Material

Stainless Steel 304, 316

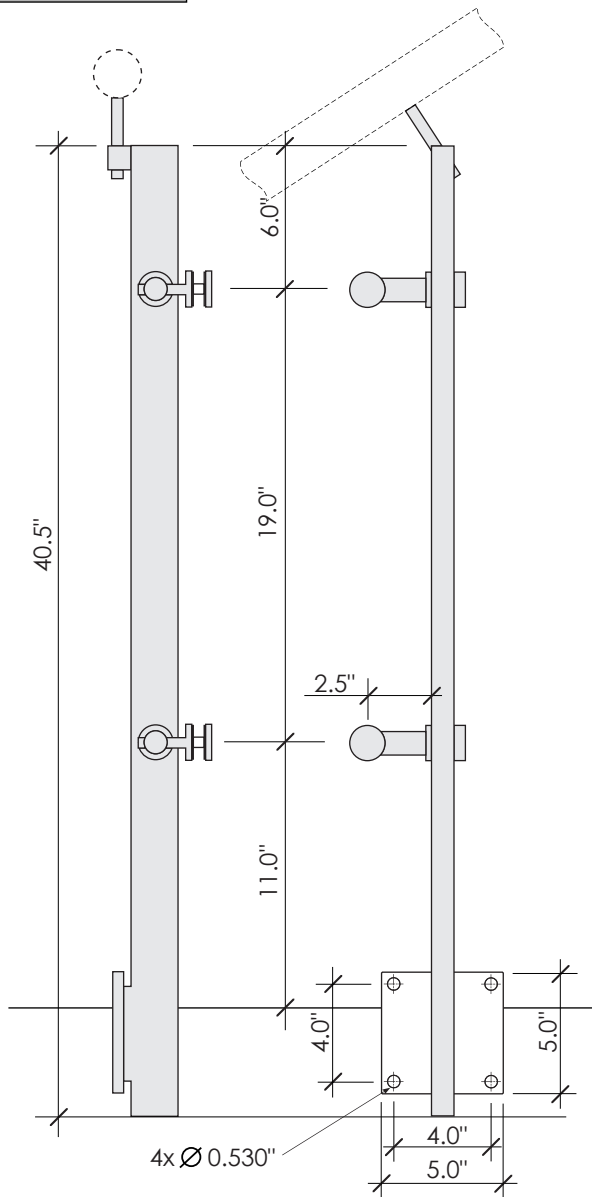
► Finish

#4 (220grit) Brushed

37" Stairs

SS274-S ZeTera Single Sided Post - Vertical Mount

moggi



Specification

► Assembly Components

Single flat bar 1" x 2",
Rail Support - 2" high vertical pin (height adjustment),
2 SS113-S ZeX Panel Brackets,
Vertical Base Flange 5" x 5" x 1/2"

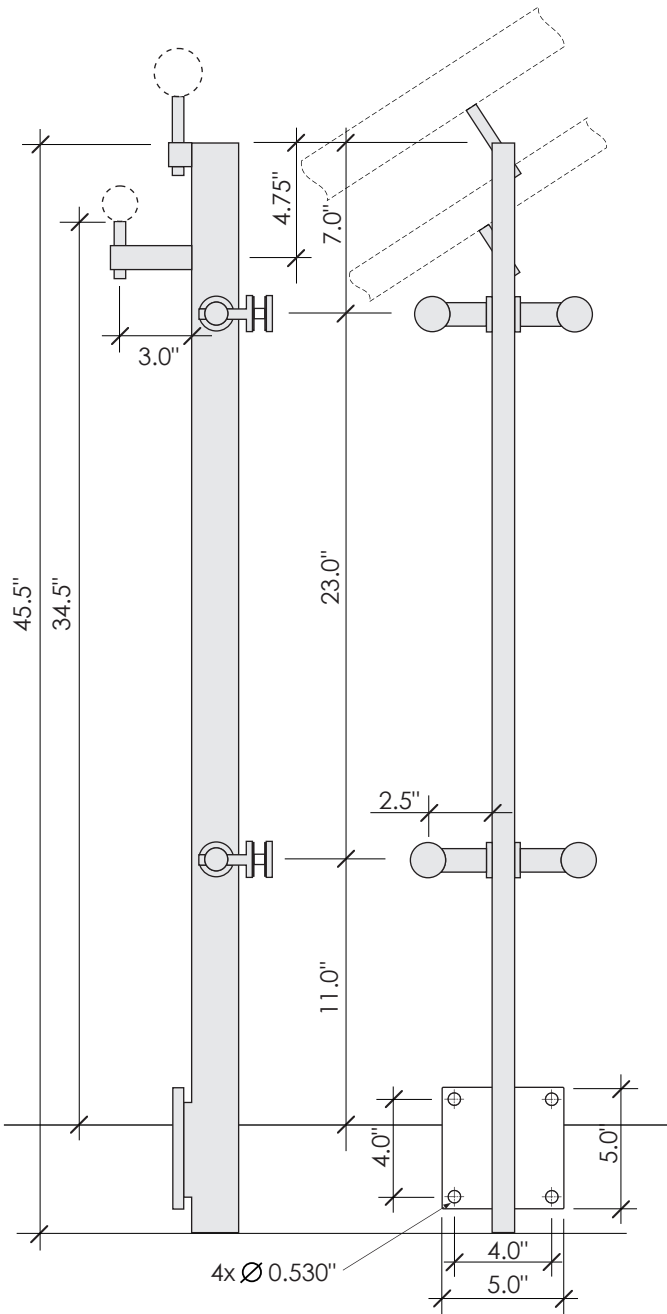
► Material

Stainless Steel 304, 316

► Finish

#4 (220grit) Brushed

37" Stairs



Specification

► Assembly Components

- Single flat bar 1" x 2",
- Rail Support - 2" high vertical pin (height adjustment),
- SS214-L3 Rail Support - 1" high vertical pin
- 4 SS113-S ZeX Panel Brackets,
- Vertical Base Flange 5" x 5" x 1/2"

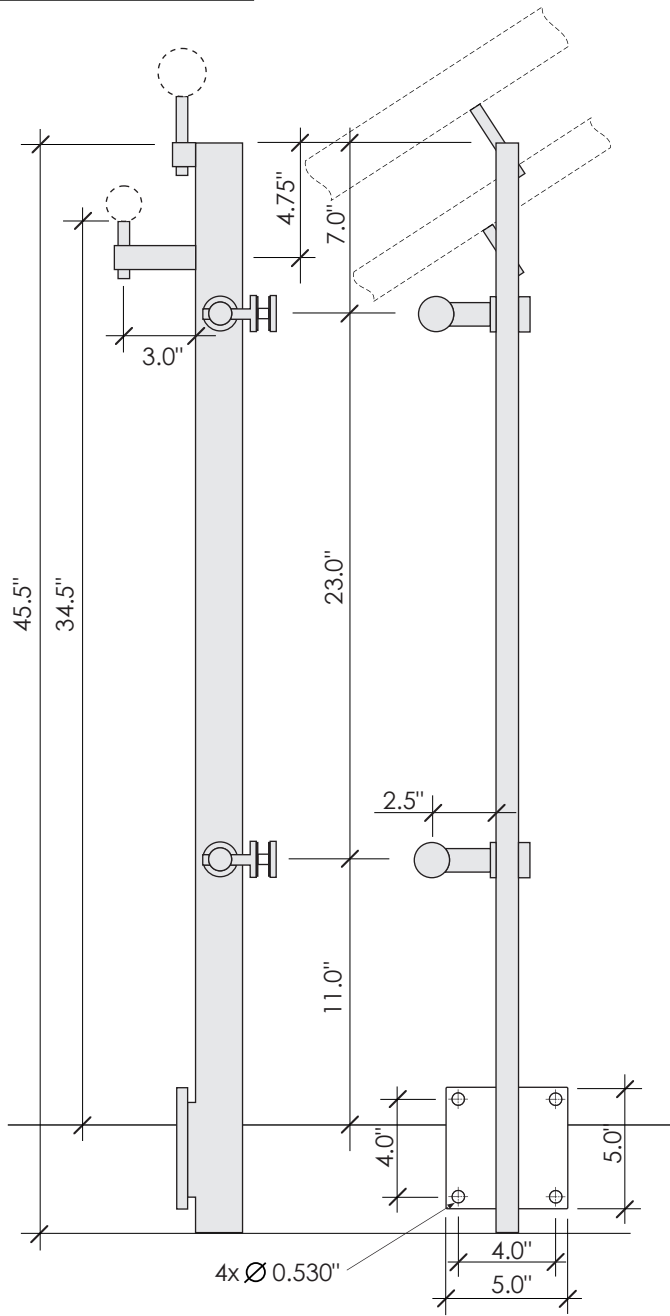
► Material

Stainless Steel 304, 316

► Finish

#4 (220grit) Brushed

42" + 36" Stairs



Specification

► Assembly Components

Single flat bar 1" x 2",
 Rail Support - 2" high vertical pin (height adjustment),
 SS214-L3 Rail Support - 1" high vertical pin
 2 SS113-S ZeX Panel Brackets,
 Vertical Base Flange 5" x 5" x ½"

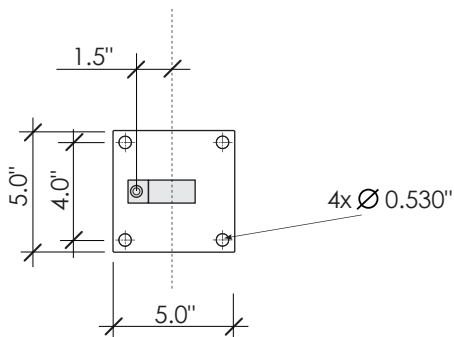
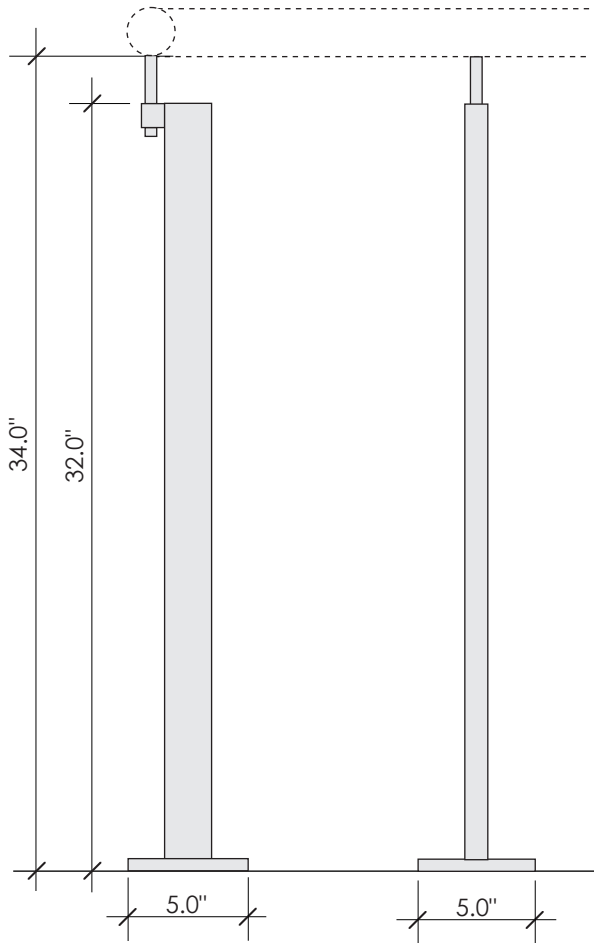
► Material

Stainless Steel 304, 316

► Finish

#4 (220grit) Brushed

42" + 36" Stairs



Specification

► Assembly Components

Single flat bar 1" x 2",
 Rail Support - 2" high vertical pin (height adjustment),
 Base Flange 5" x 5" x 1/2"

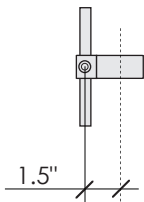
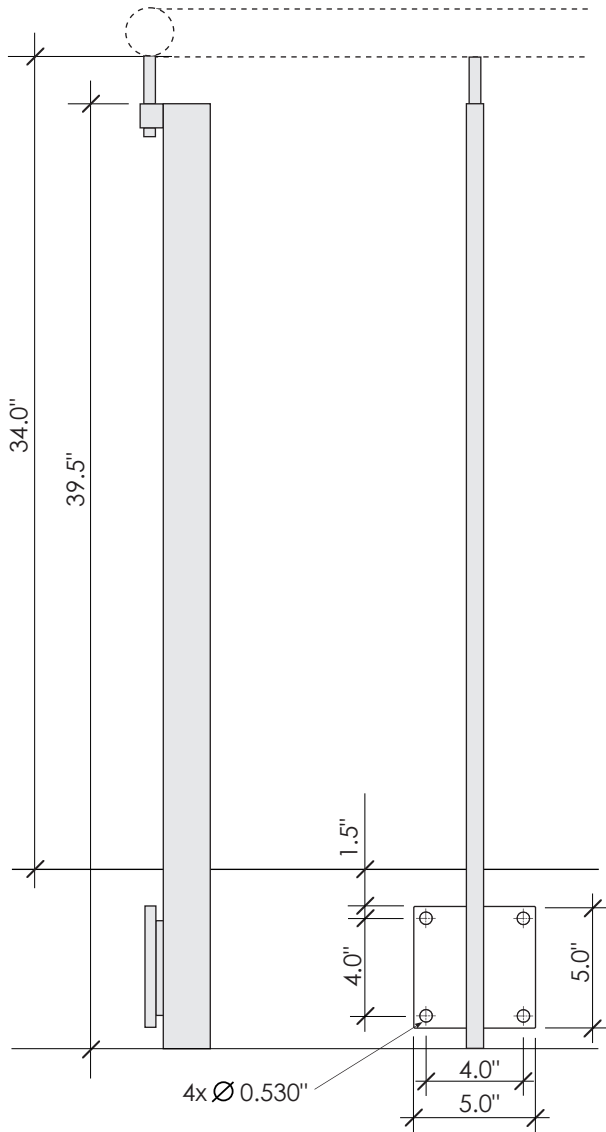
► Material

Stainless Steel 304, 316

► Finish

#4 (220grit) Brushed

36" Hand Rail



Specification

► Assembly Components

Single flat bar 1" x 2",
 Rail Support - 2" high vertical pin (height adjustment),
 Vertical Base Flange 5" x 5" x 1/2"

► Material

Stainless Steel 304, 316

► Finish

#4 (220grit) Brushed

36" Hand Rail