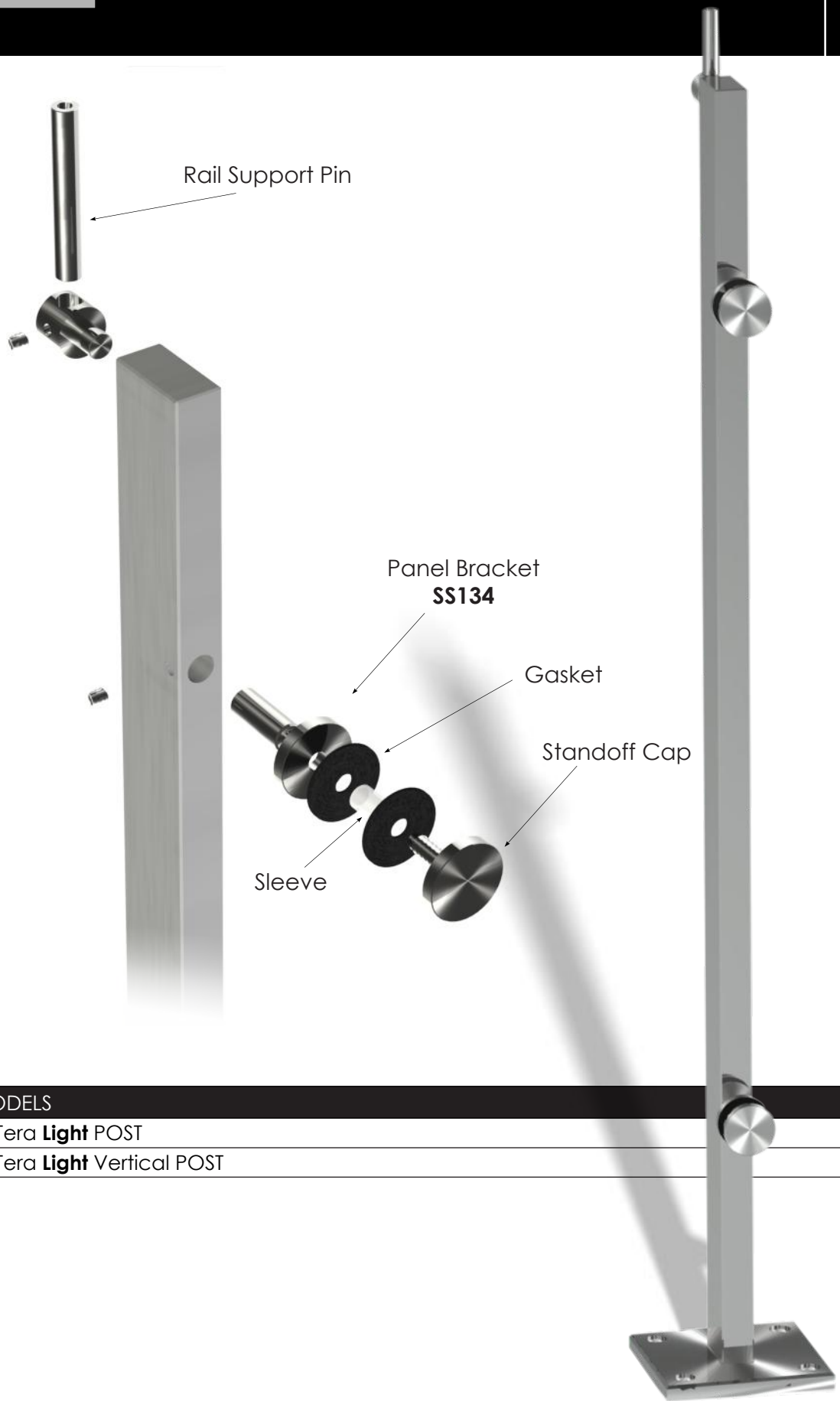


ZeTera Light



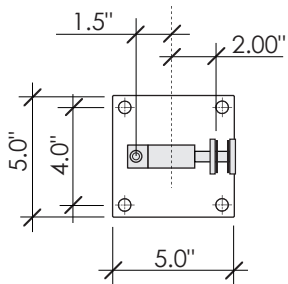
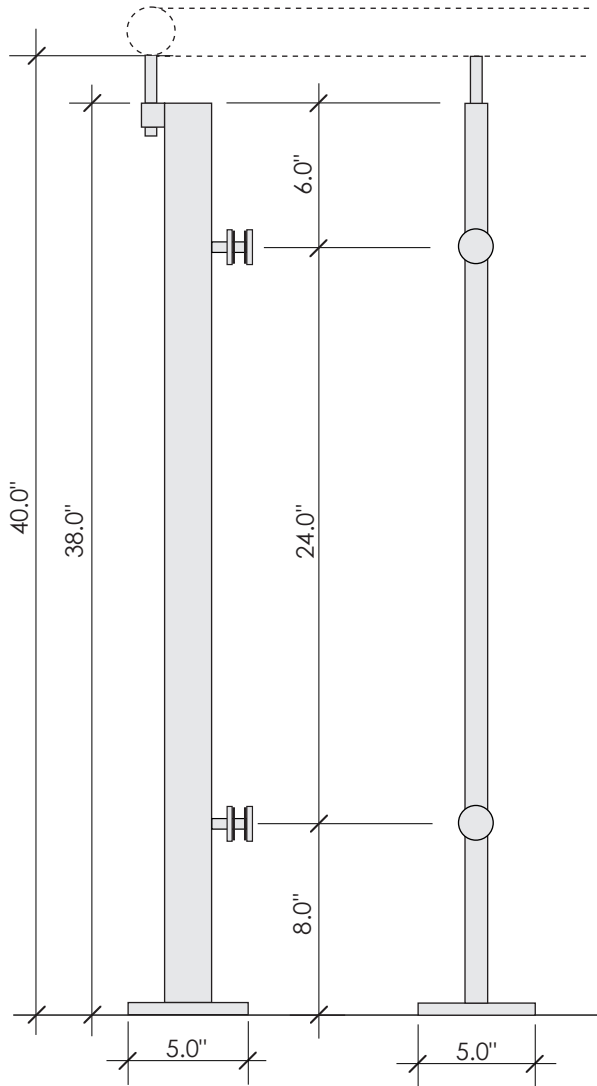
ZeTera Light System

mōgg



MODELS

SS371	ZeTera Light POST
SS372	ZeTera Light Vertical POST



Specification

► Assembly Components

Single flat bar 1" x 2",
 Rail Support - 2" high vertical pin (height adjustment),
 2 SS134 Panel Brackets,
 Base Flange 5" x 5" x 1/2"

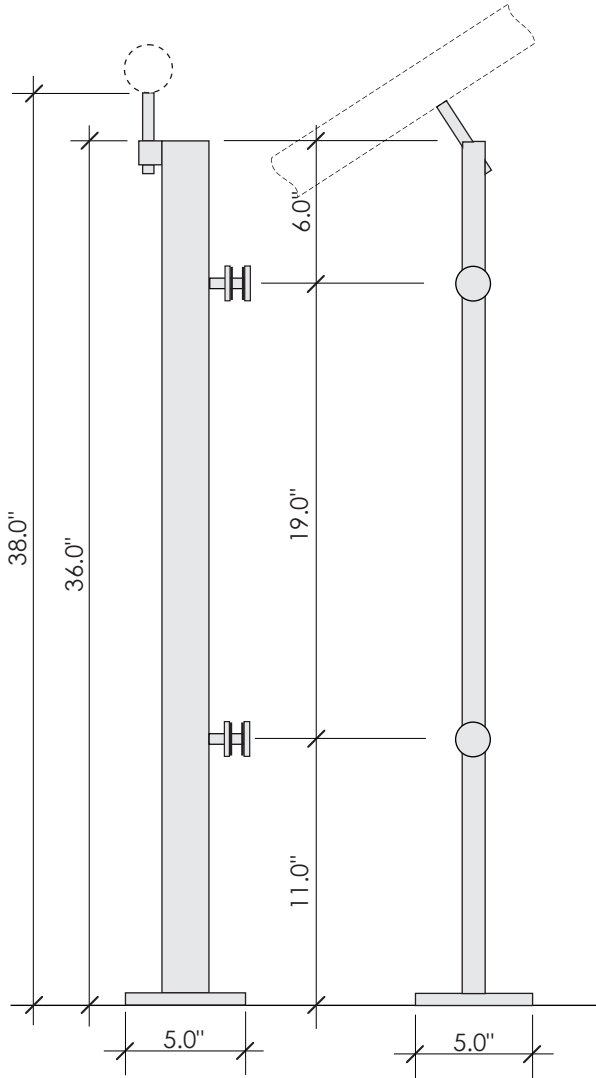
► Material

Stainless Steel 304, 316

► Finish

#4 (220grit) Brushed

42" Guard Rail



Specification

► Assembly Components

Single flat bar 1" x 2",
 Rail Support - 2" high vertical pin (height adjustment),
 2 SS134 Panel Brackets,
 Base Flange 5" x 5" x 1/2"

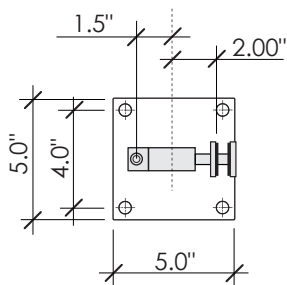
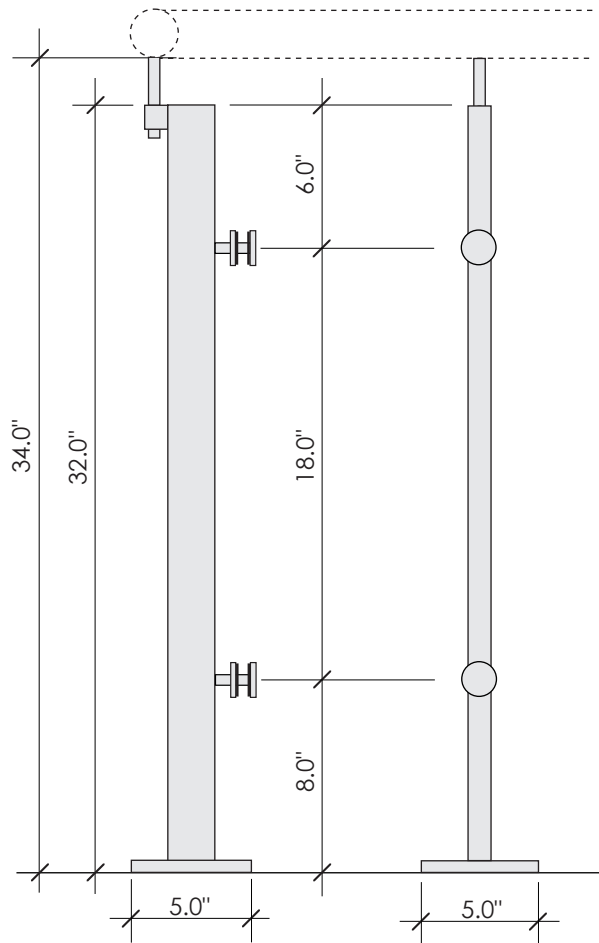
► Material

Stainless Steel 304, 316

► Finish

#4 (220grit) Brushed

37" Stairs



Specification

► Assembly Components

Single flat bar 1" x 2",
 Rail Support - 2" high vertical pin (height adjustment),
 2 SS134 Panel Brackets,
 Base Flange 5" x 5" x 1/2"

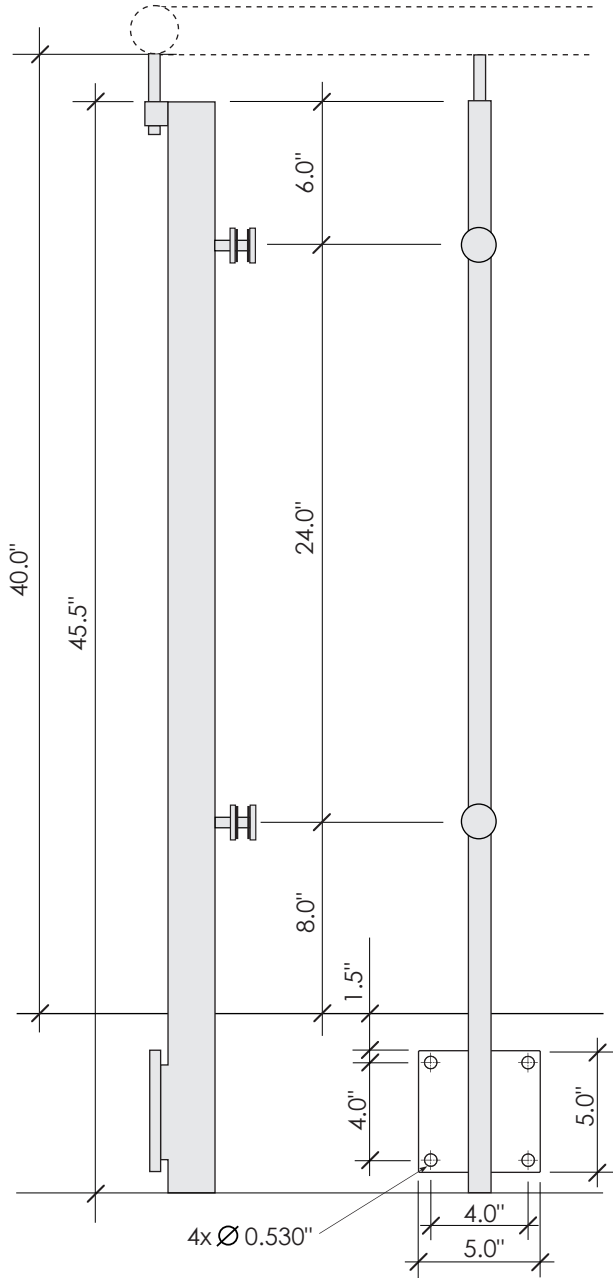
► Material

Stainless Steel 304, 316

► Finish

#4 (220grit) Brushed

36" Guard Rail



Specification

► Assembly Components

Single flat bar 1" x 2",
 Rail Support - 2" high vertical pin (height adjustment),
 2 SS134 Panel Brackets,
 Base Flange 5" x 5" x 1/2"

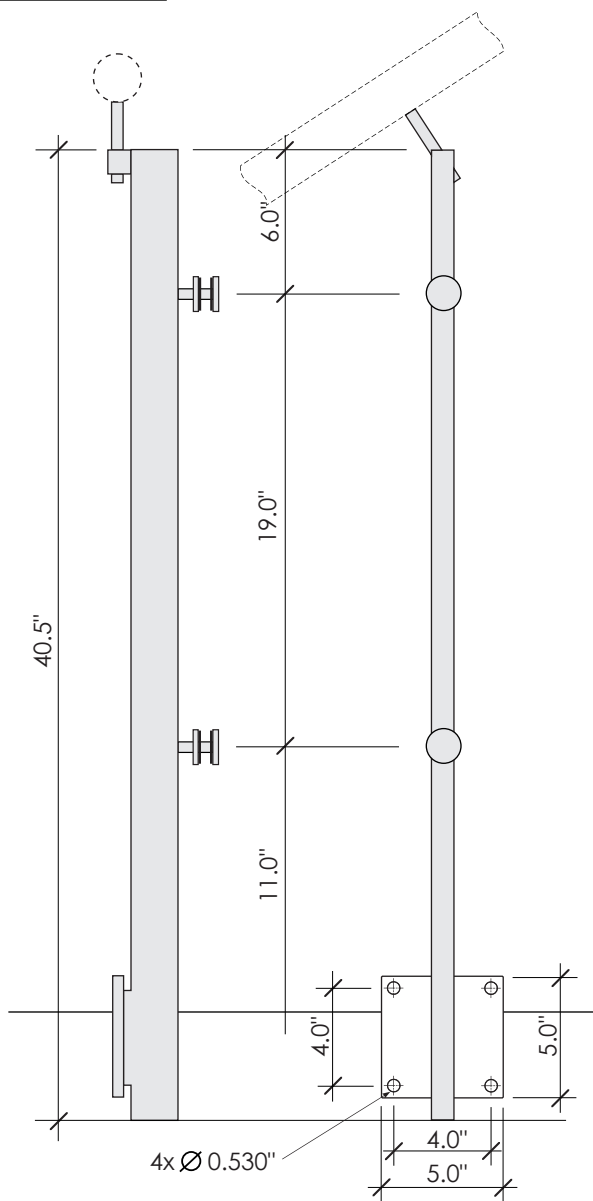
► Material

Stainless Steel 304, 316

► Finish

#4 (220grit) Brushed

42" Guard Rail



Specification

► Assembly Components

Single flat bar 1" x 2",
 Rail Support - 2" high vertical pin (height adjustment),
 2 SS134 Panel Brackets,
 Base Flange 5" x 5" x 1/2"

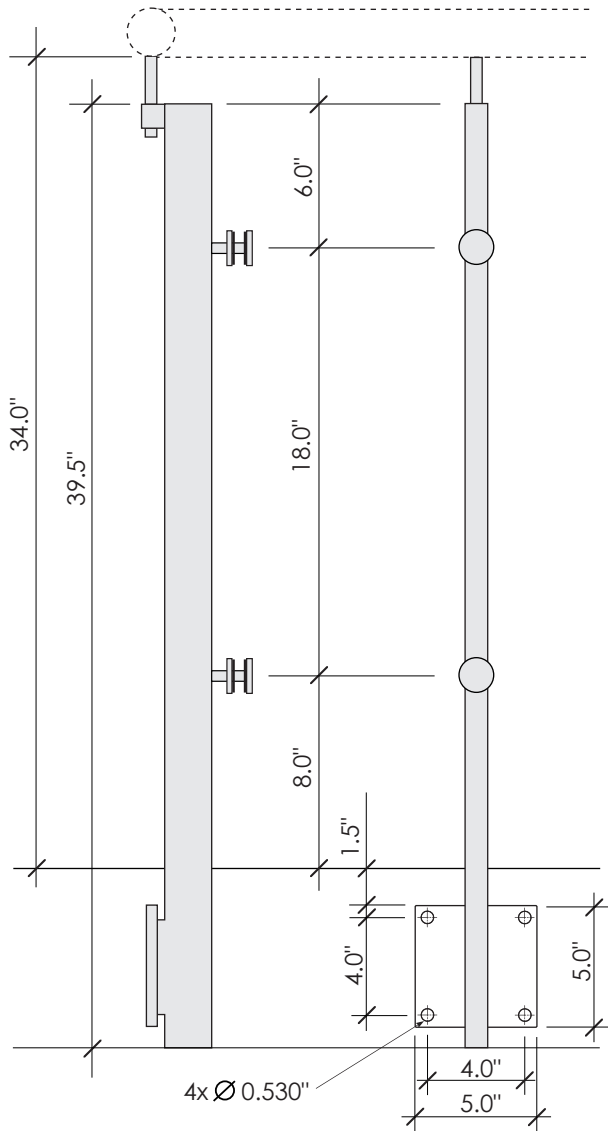
► Material

Stainless Steel 304, 316

► Finish

#4 (220grit) Brushed

37" Stairs



Specification

► Assembly Components

Single flat bar 1" x 2",
 Rail Support - 2" high vertical pin (height adjustment),
 2 SS134 Panel Brackets,
 Base Flange 5" x 5" x 1/2"

► Material

Stainless Steel 304, 316

► Finish

#4 (220grit) Brushed

36" Guard Rail