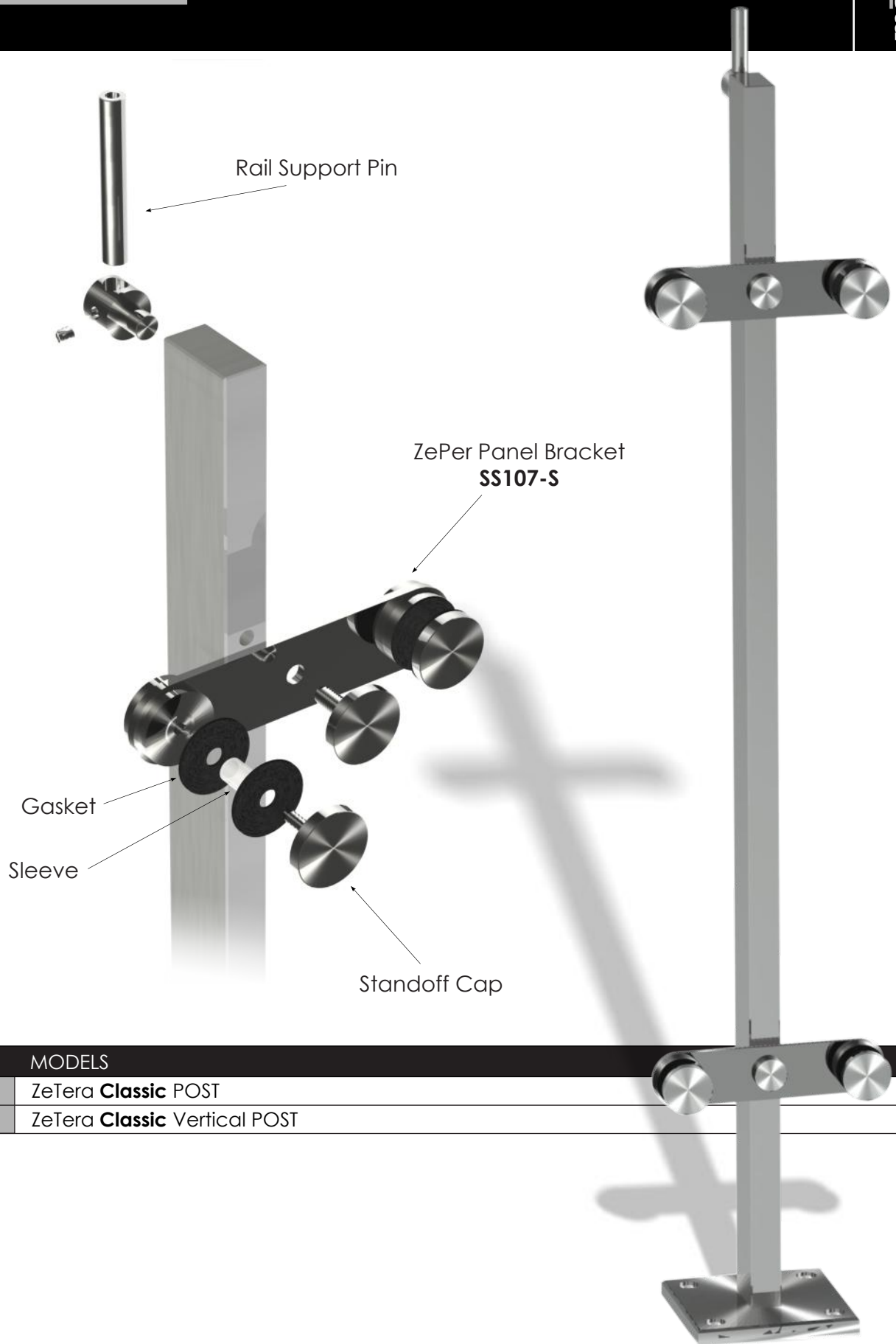


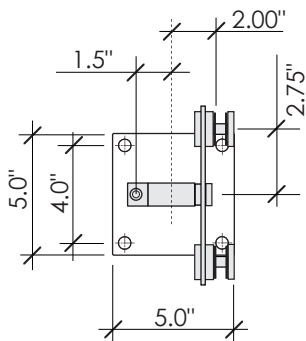
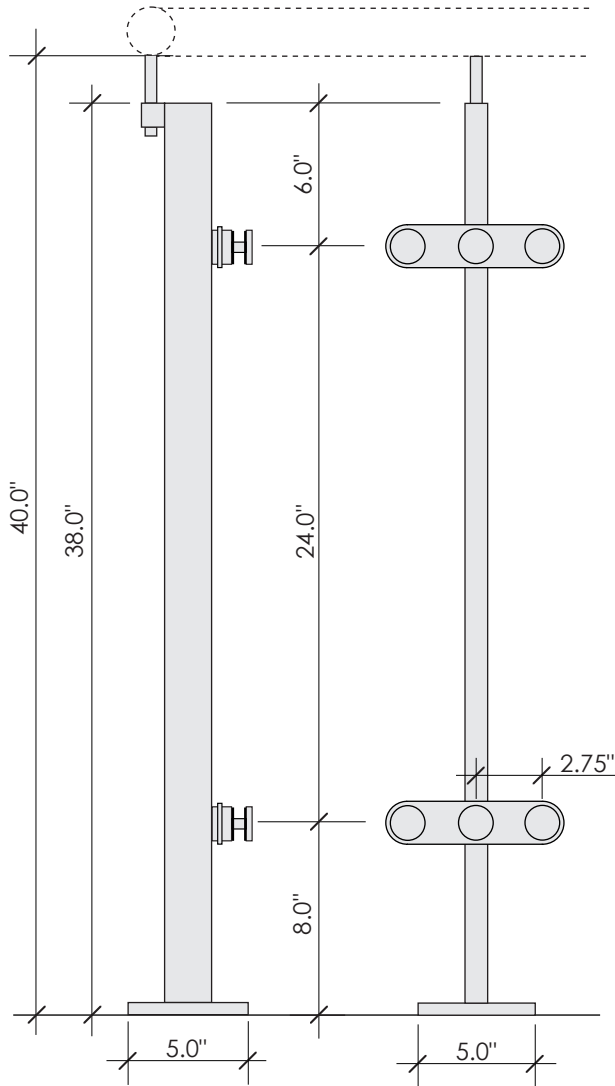
ZeTera Classic





MODELS

SS471	ZeTera Classic POST
SS472	ZeTera Classic Vertical POST



Specification

► Assembly Components

Single flat bar 1" x 2",
 Rail Support - 2" high vertical pin (height adjustment),
 2 SS107-T Panel Brackets,
 Base Flange 5" x 5" x 1/2"

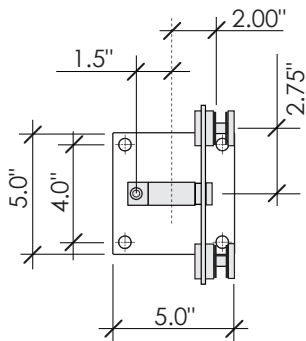
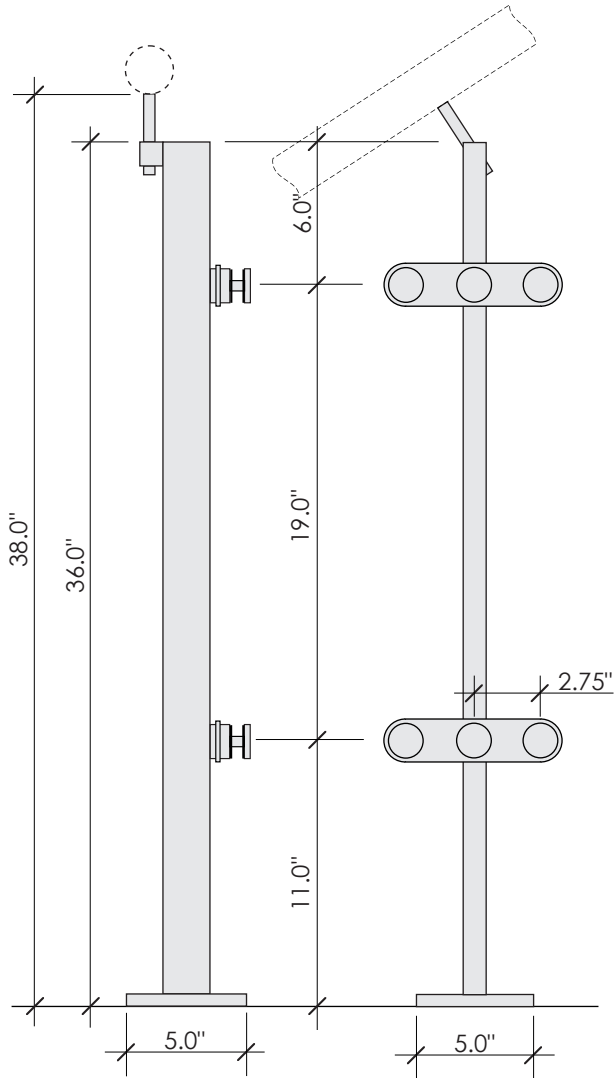
► Material

Stainless Steel 304, 316

► Finish

#4 (220grit) Brushed

42" Guard Rail



Specification

► Assembly Components

Single flat bar 1" x 2",
 Rail Support - 2" high vertical pin (height adjustment),
 2 SS107-T Panel Brackets,
 Base Flange 5" x 5" x 1/2"

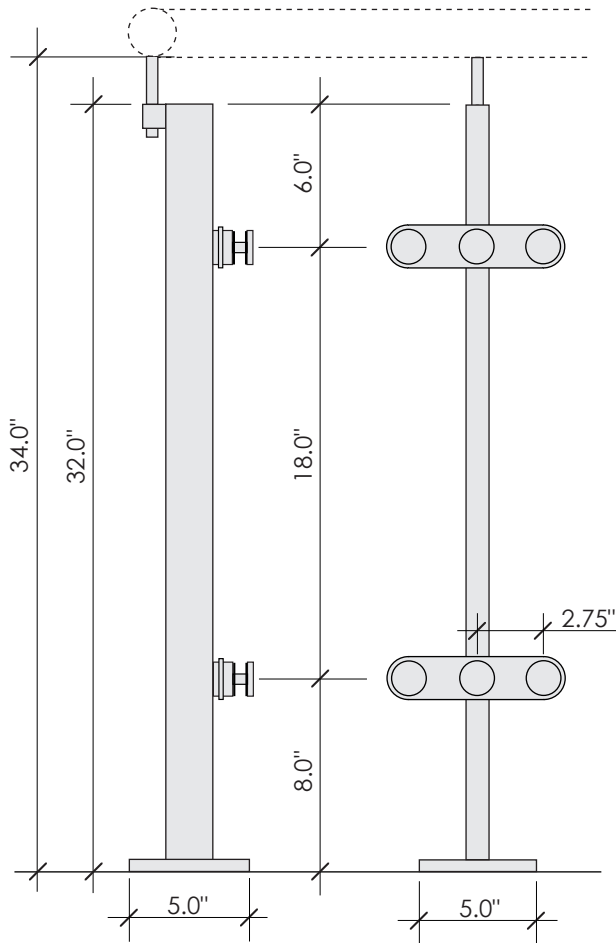
► Material

Stainless Steel 304, 316

► Finish

#4 (220grit) Brushed

37" Stairs



Specification

► Assembly Components

Single flat bar 1" x 2",
 Rail Support - 2" high vertical pin (height adjustment),
 2 SS107-T Panel Brackets,
 Base Flange 5" x 5" x 1/2"

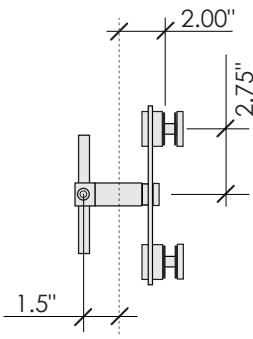
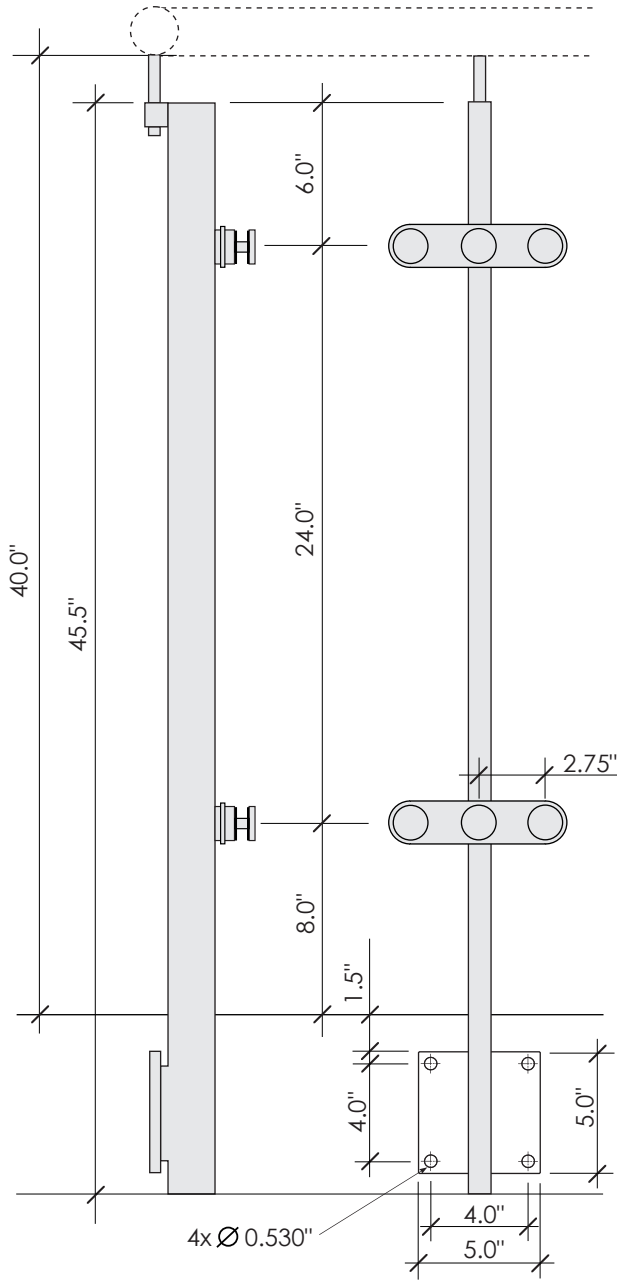
► Material

Stainless Steel 304, 316

► Finish

#4 (220grit) Brushed

36" Guard Rail



Specification

► Assembly Components

- Single flat bar 1" x 2",
- Rail Support - 2" high vertical pin (height adjustment),
- 2 SS107-T Panel Brackets,
- Base Flange 5" x 5" x 1/2"

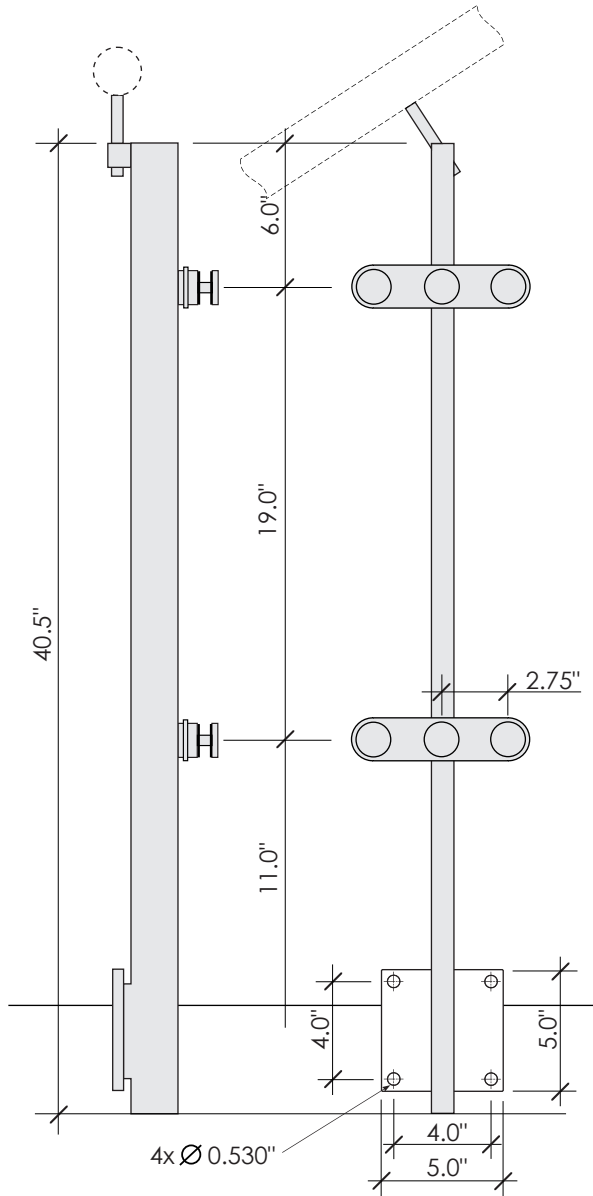
► Material

Stainless Steel 304, 316

► Finish

#4 (220grit) Brushed

42" Guard Rail



Specification

► Assembly Components

Single flat bar 1" x 2",
 Rail Support - 2" high vertical pin (height adjustment),
 2 SS107-T Panel Brackets,
 Base Flange 5" x 5" x 1/2"

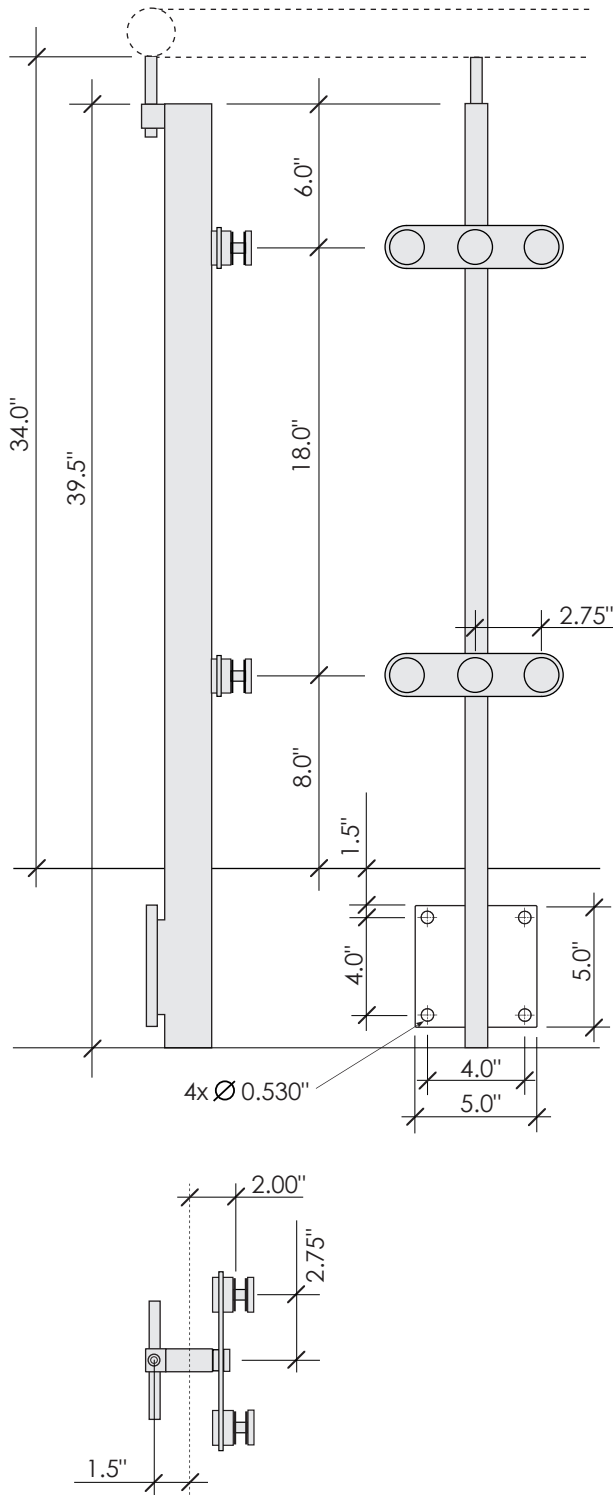
► Material

Stainless Steel 304, 316

► Finish

#4 (220grit) Brushed

37" Stairs



Specification

► Assembly Components

Single flat bar 1" x 2",
 Rail Support - 2" high vertical pin (height adjustment),
 2 SS107-T Panel Brackets,
 Base Flange 5" x 5" x 1/2"

► Material

Stainless Steel 304, 316

► Finish

#4 (220grit) Brushed

36" Guard Rail