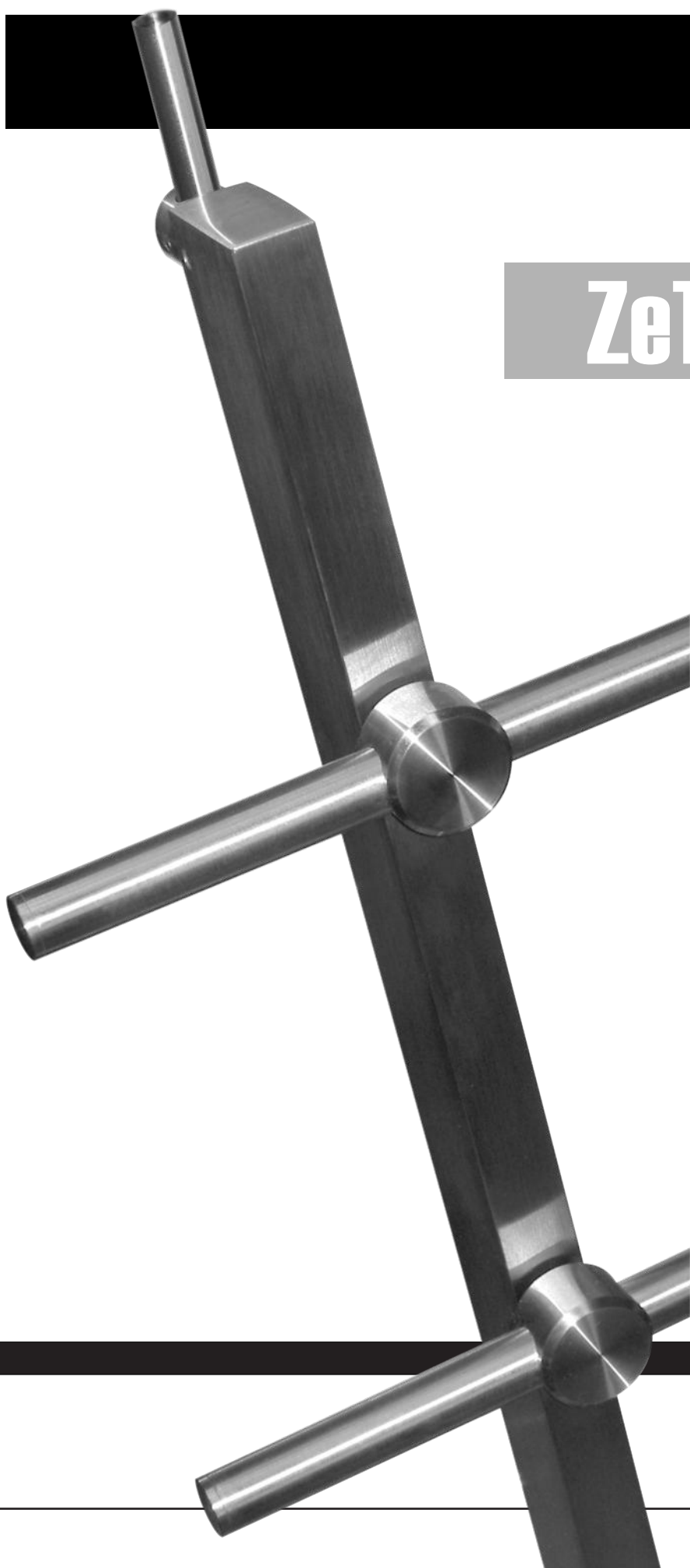
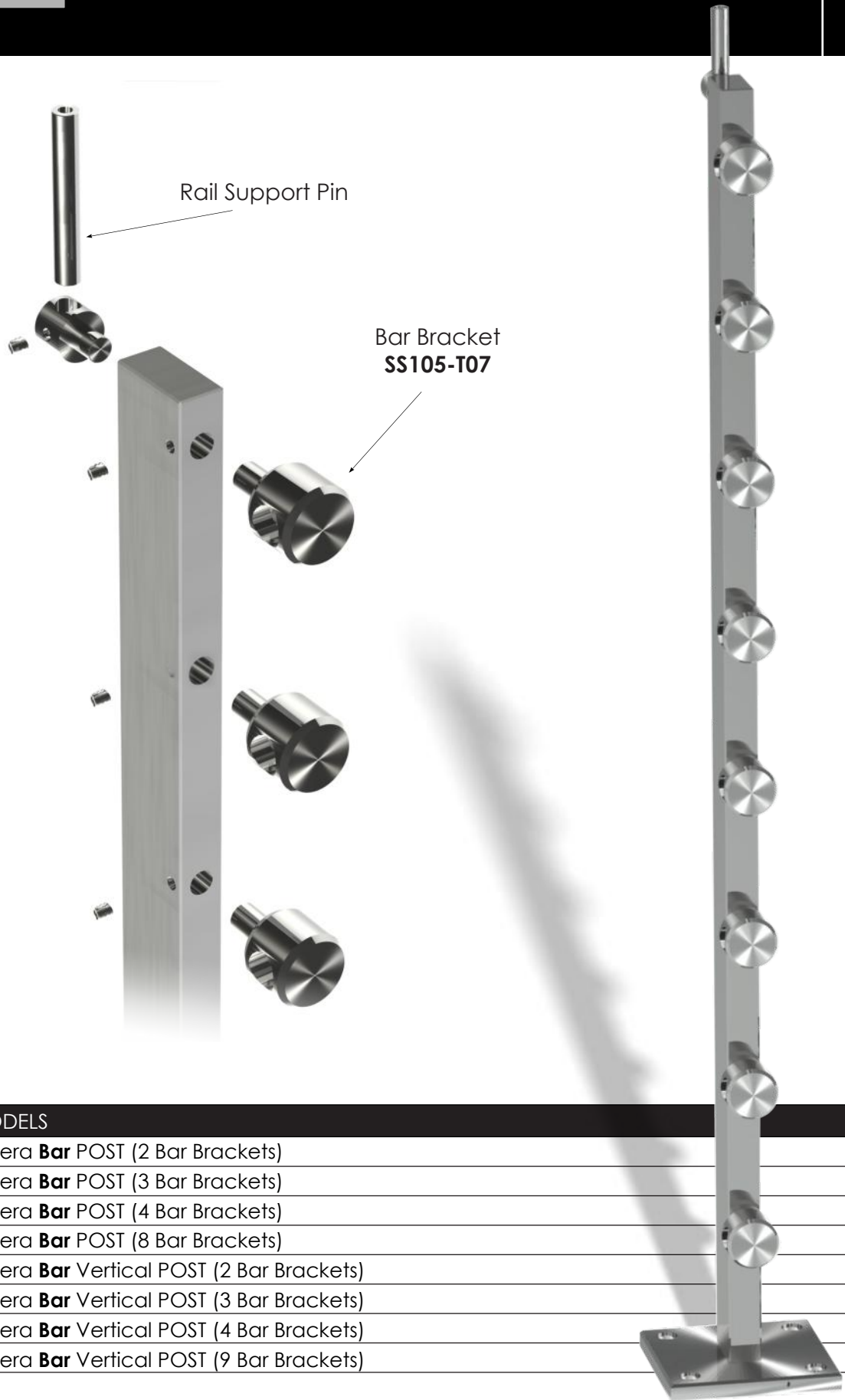


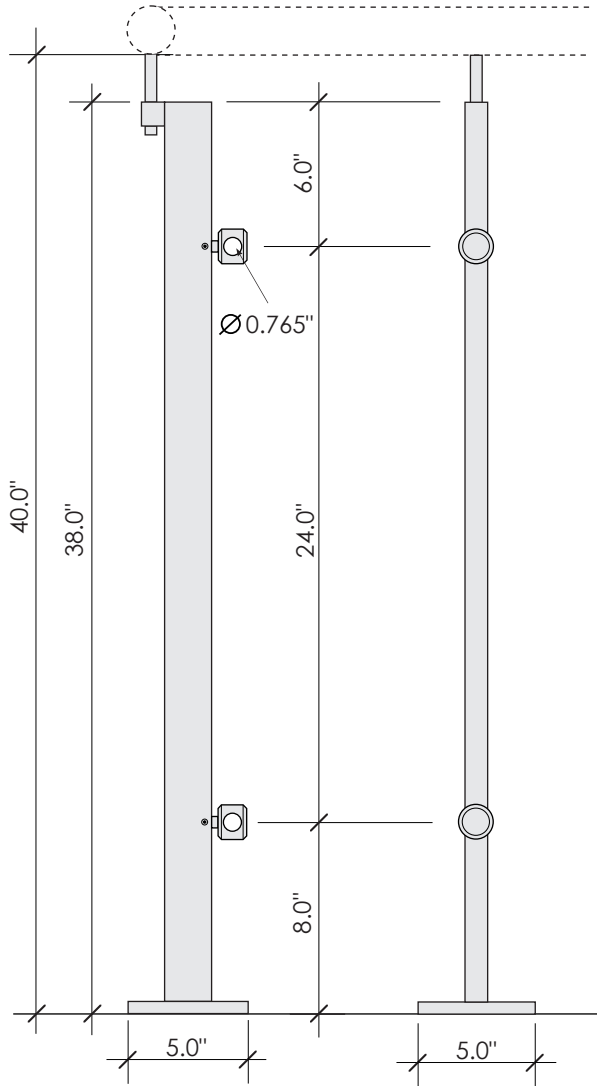
# ZeTera Bar





## MODELS

SS572	ZeTera <b>Bar</b> POST (2 Bar Brackets)
SS573	ZeTera <b>Bar</b> POST (3 Bar Brackets)
SS574	ZeTera <b>Bar</b> POST (4 Bar Brackets)
SS578	ZeTera <b>Bar</b> POST (8 Bar Brackets)
SS672	ZeTera <b>Bar</b> Vertical POST (2 Bar Brackets)
SS673	ZeTera <b>Bar</b> Vertical POST (3 Bar Brackets)
SS674	ZeTera <b>Bar</b> Vertical POST (4 Bar Brackets)
SS679	ZeTera <b>Bar</b> Vertical POST (9 Bar Brackets)



## Specification

### ► Assembly Components

Single flat bar 1" x 2",  
 Rail Support - 2" high vertical pin (height adjustment),  
 2 Bar Brackets (3/4" Diameter Bars),  
 Base Flange 5" x 5" x 1/2"

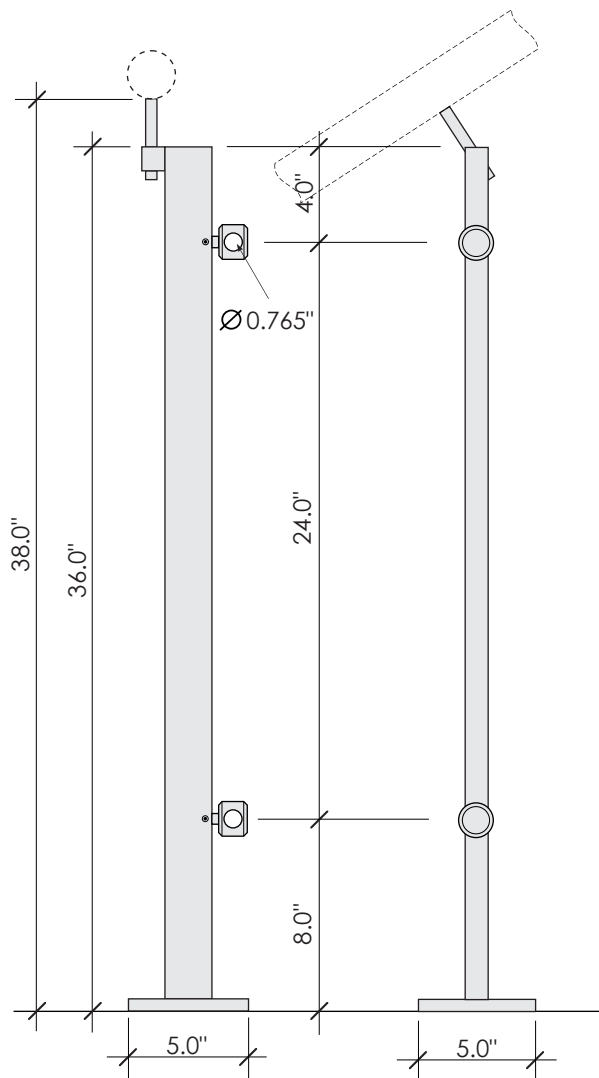
### ► Material

Stainless Steel 304, 316

### ► Finish

#4 (220grit) Brushed

42" Guard Rail



## Specification

### ► Assembly Components

Single flat bar 1" x 2",  
 Rail Support - 2" high vertical pin (height adjustment),  
 2 Bar Brackets (3/4" Diameter Bars),  
 Base Flange 5" x 5" x 1/2"

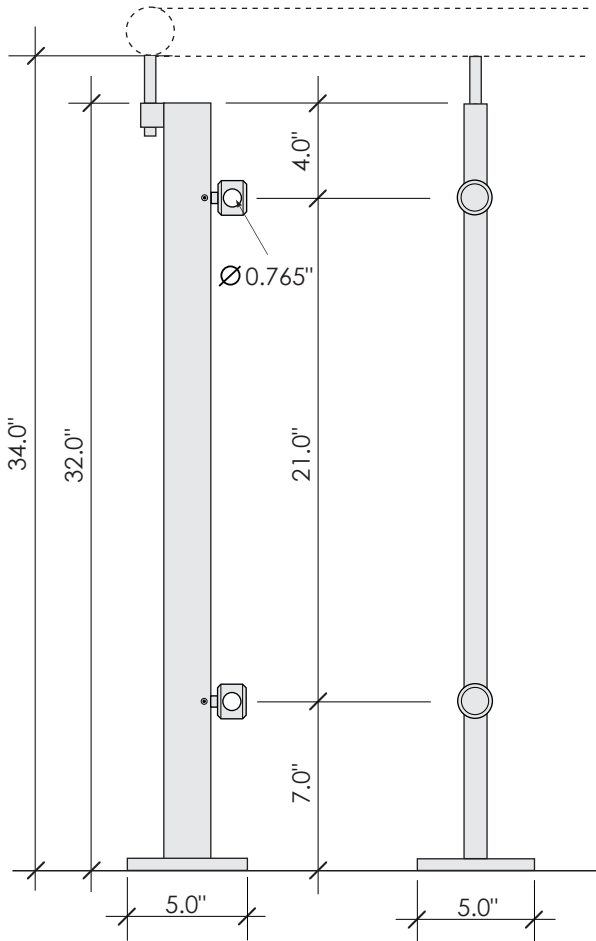
### ► Material

Stainless Steel 304, 316

### ► Finish

#4 (220grit) Brushed

37" Stairs



## Specification

### ► Assembly Components

Single flat bar 1" x 2",  
 Rail Support - 2" high vertical pin (height adjustment),  
 2 Bar Brackets (3/4" Diameter Bars),  
 Base Flange 5" x 5" x 1/2"

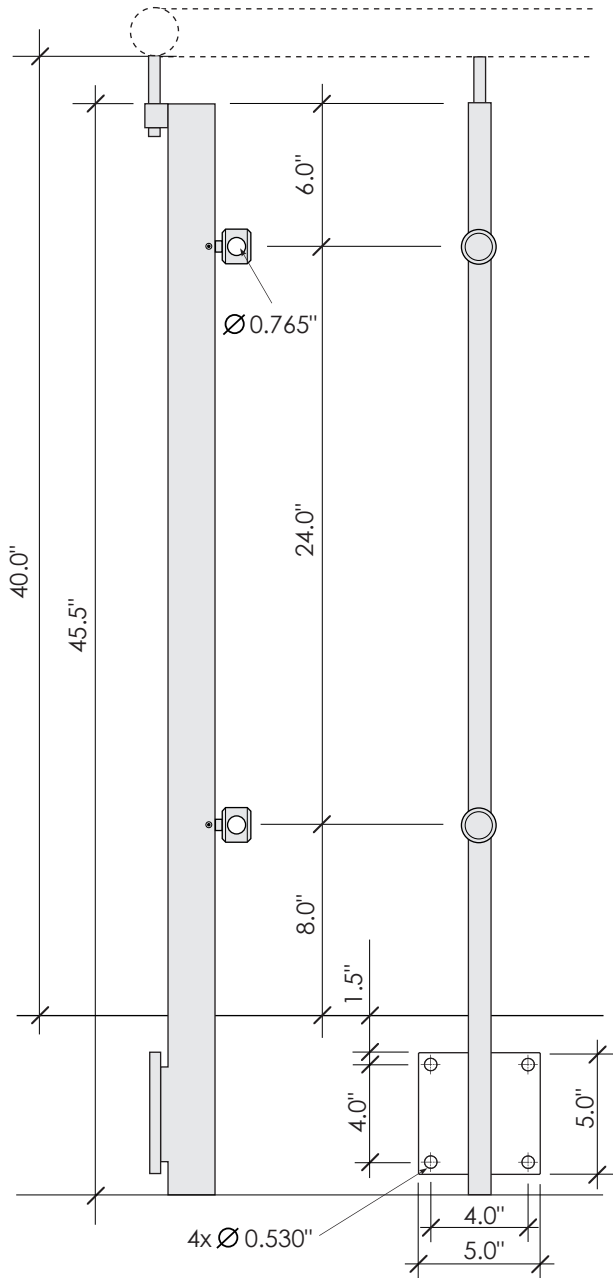
### ► Material

Stainless Steel 304, 316

### ► Finish

#4 (220grit) Brushed

36" Guard Rail



Specification

► Assembly Components

Single flat bar 1" x 2",  
 Rail Support - 2" high vertical pin (height adjustment),  
 2 Bar Brackets (3/4" Diameter Bars),  
 Base Flange 5" x 5" x 1/2"

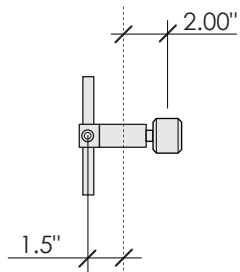
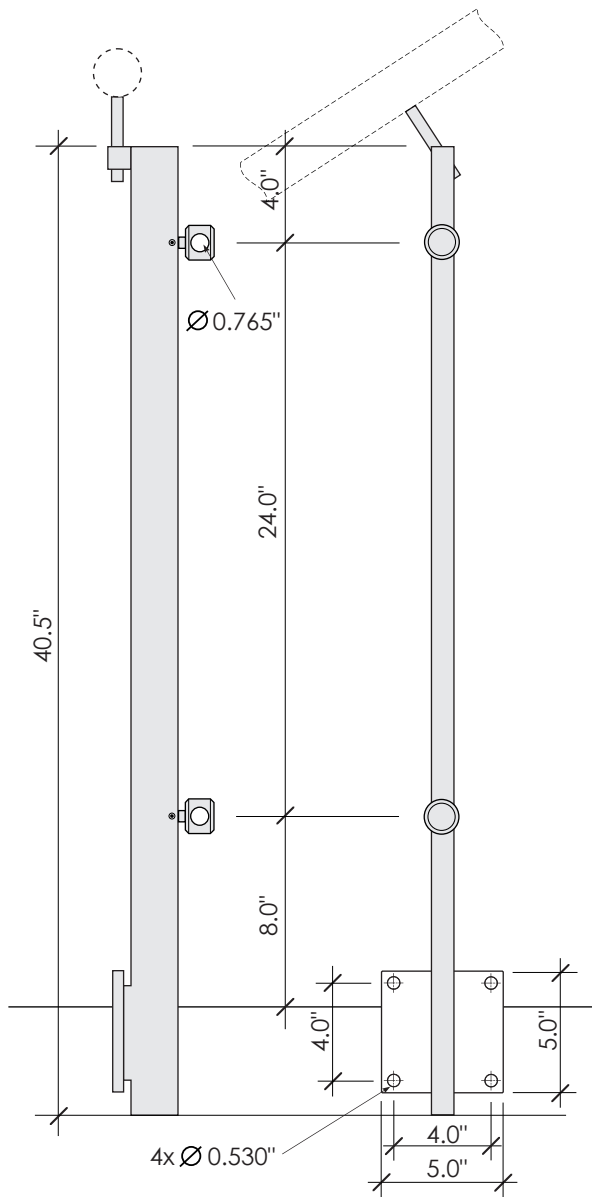
► Material

Stainless Steel 304, 316

► Finish

#4 (220grit) Brushed

42" Guard Rail



## Specification

### ► Assembly Components

Single flat bar 1" x 2",  
 Rail Support - 2" high vertical pin (height adjustment),  
 2 Bar Brackets (3/4" Diameter Bars),  
 Base Flange 5" x 5" x 1/2"

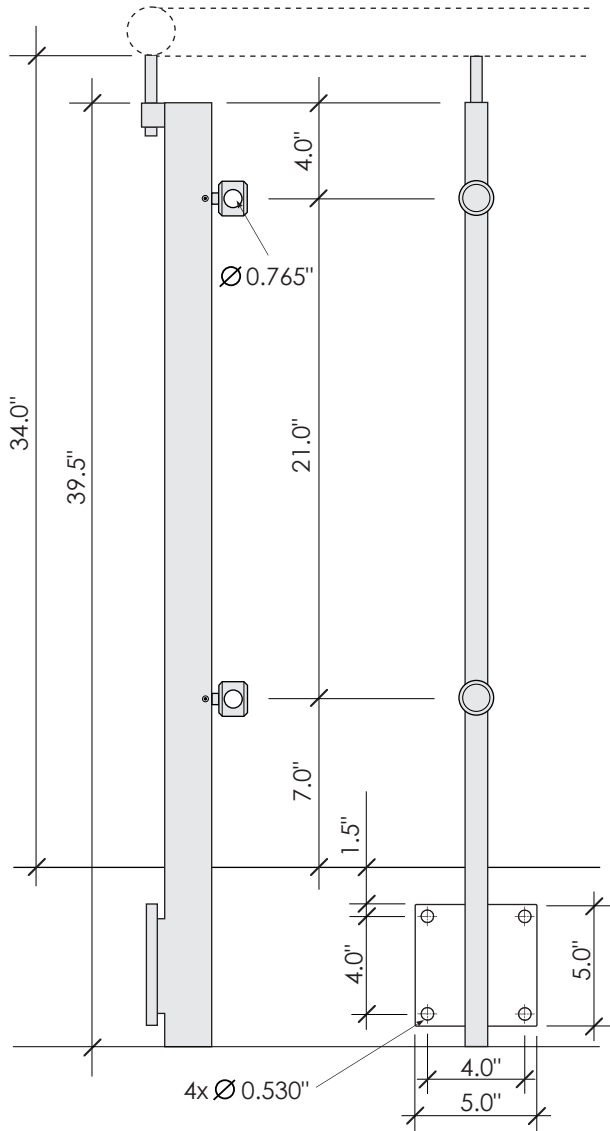
### ► Material

Stainless Steel 304, 316

### ► Finish

#4 (220grit) Brushed

37" Stairs



Specification

► Assembly Components

Single flat bar 1" x 2",  
 Rail Support - 2" high vertical pin (height adjustment),  
 2 Bar Brackets (3/4" Diameter Bars),  
 Base Flange 5" x 5" x 1/2"

► Material

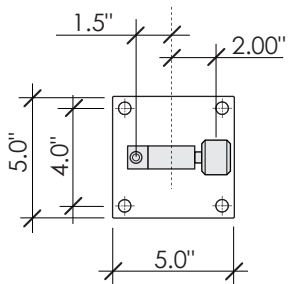
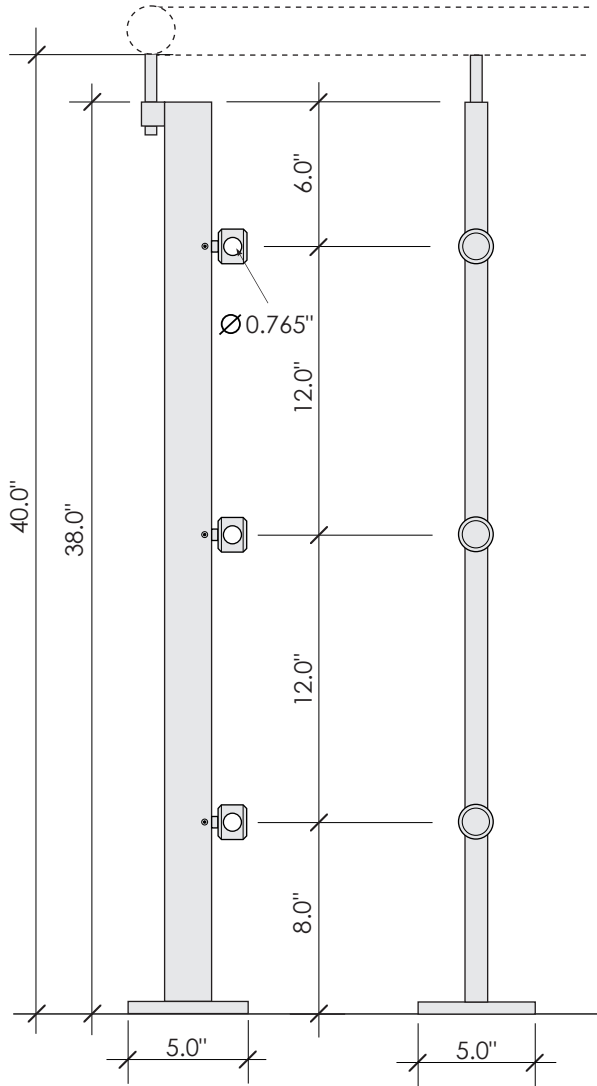
Stainless Steel 304, 316

► Finish

#4 (220grit) Brushed

36" Guard Rail





## Specification

### ► Assembly Components

Single flat bar 1" x 2",  
 Rail Support - 2" high vertical pin (height adjustment),  
 3 Bar Brackets (3/4" Diameter Bars),  
 Base Flange 5" x 5" x 1/2"

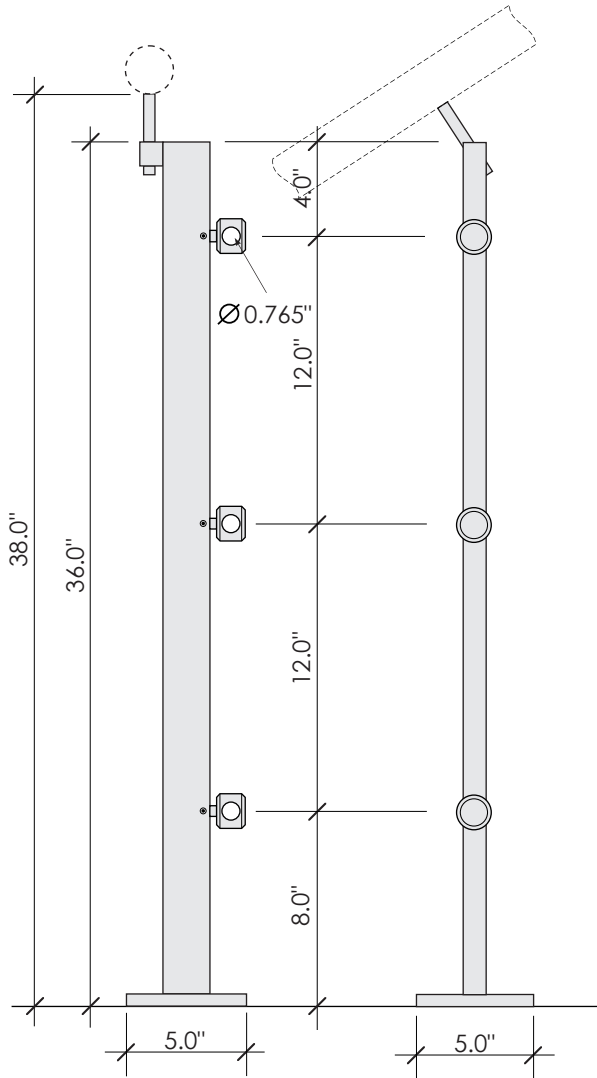
### ► Material

Stainless Steel 304, 316

### ► Finish

#4 (220grit) Brushed

42" Guard Rail



Specification

► Assembly Components

- Single flat bar 1" x 2",
- Rail Support - 2" high vertical pin (height adjustment),
- 3 Bar Brackets (3/4" Diameter Bars),
- Base Flange 5" x 5" x 1/2"

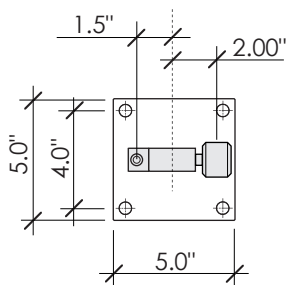
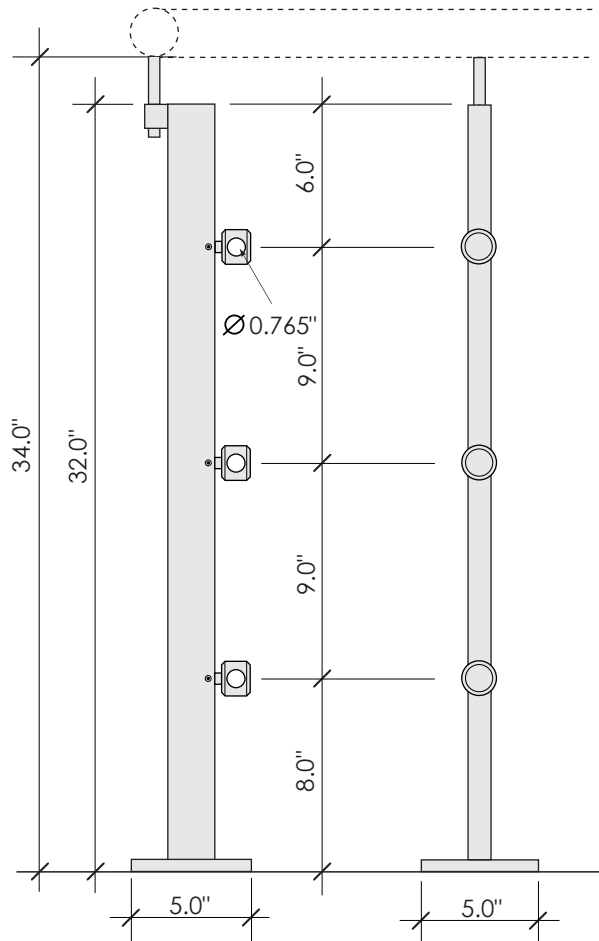
► Material

Stainless Steel 304, 316

► Finish

#4 (220grit) Brushed

37" Stairs



## Specification

### ► Assembly Components

Single flat bar 1" x 2",  
 Rail Support - 2" high vertical pin (height adjustment),  
 3 Bar Brackets (3/4" Diameter Bars),  
 Base Flange 5" x 5" x 1/2"

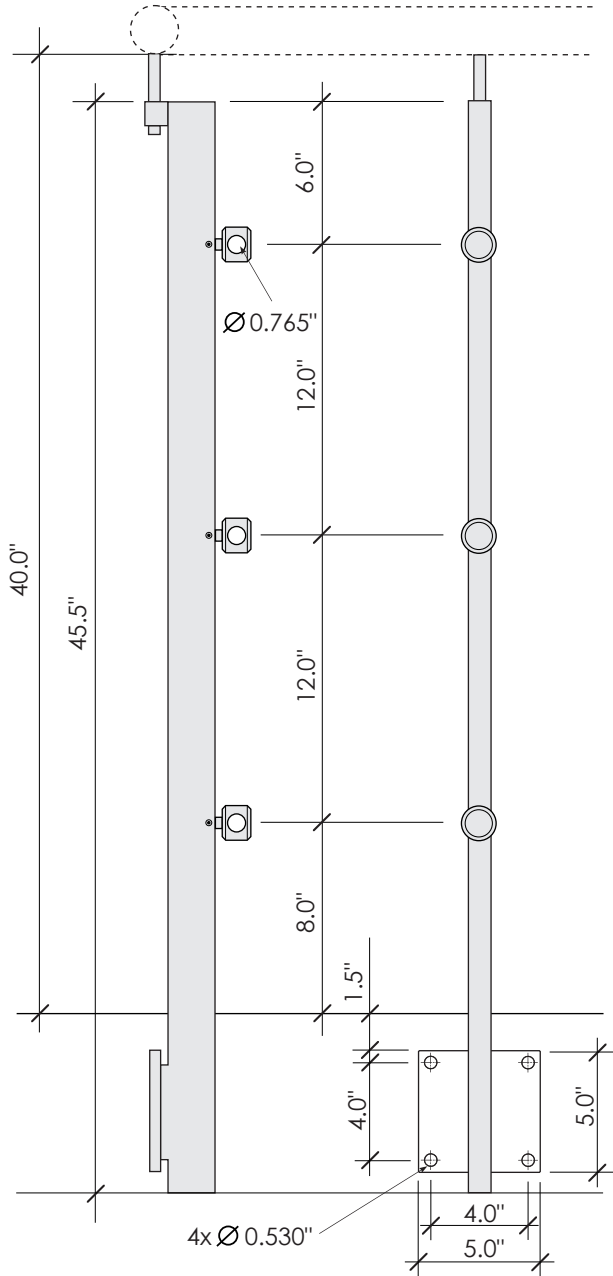
### ► Material

Stainless Steel 304, 316

### ► Finish

#4 (220grit) Brushed

36" Guard Rail



Specification

► Assembly Components

Single flat bar 1" x 2",  
 Rail Support - 2" high vertical pin (height adjustment),  
 3 Bar Brackets (3/4" Diameter Bars),  
 Base Flange 5" x 5" x 1/2"

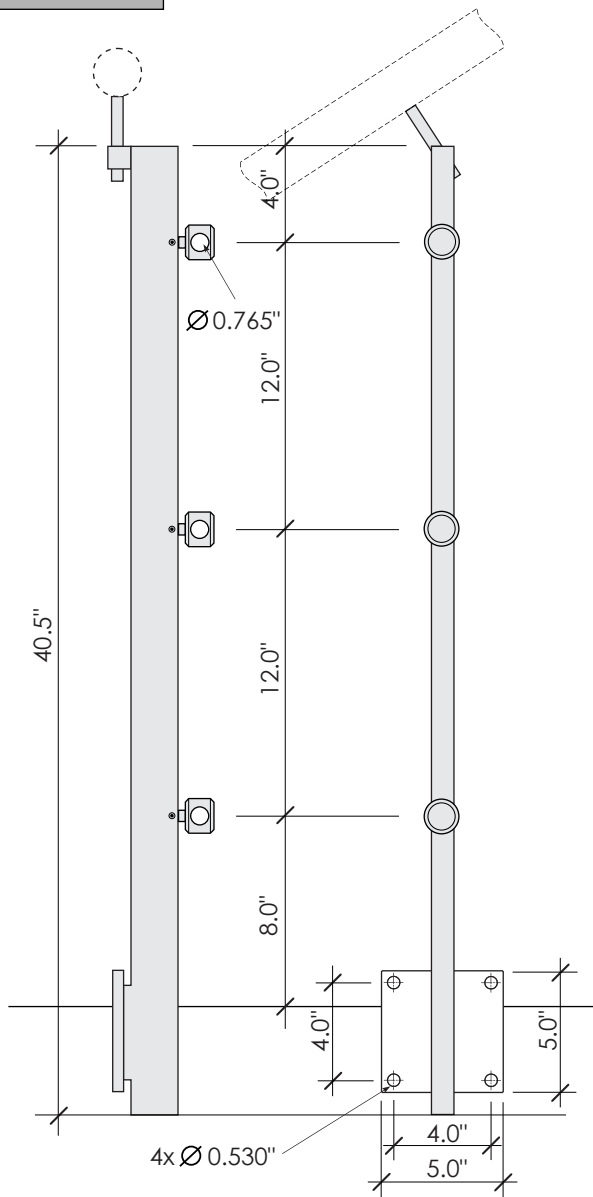
► Material

Stainless Steel 304, 316

► Finish

#4 (220grit) Brushed

42" Guard Rail



## Specification

### ► Assembly Components

Single flat bar 1" x 2",  
 Rail Support - 2" high vertical pin (height adjustment),  
 3 Bar Brackets (3/4" Diameter Bars),  
 Base Flange 5" x 5" x 1/2"

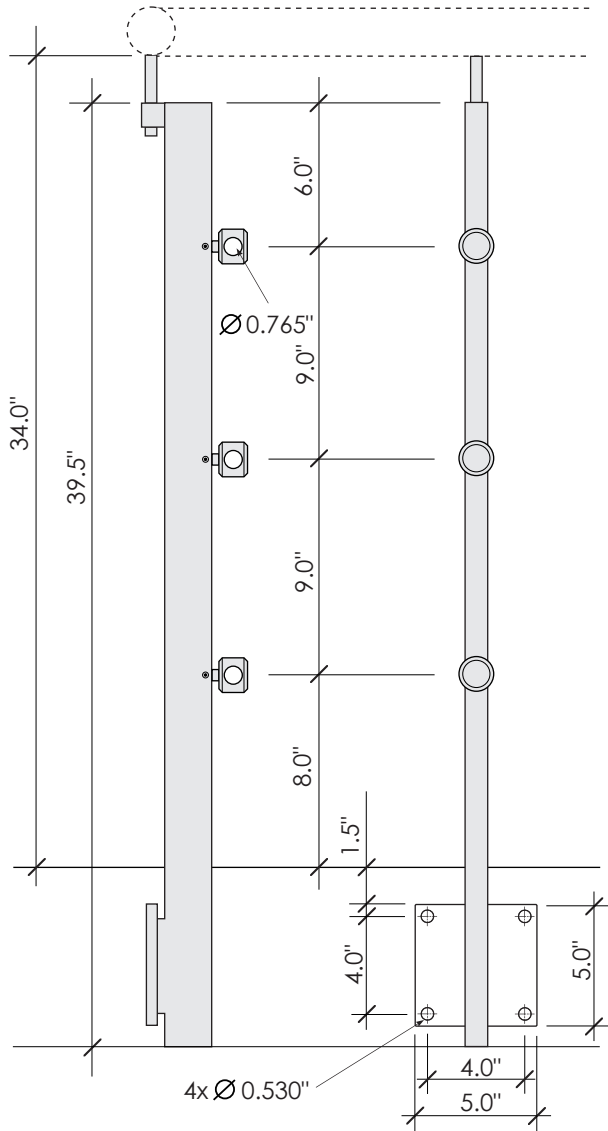
### ► Material

Stainless Steel 304, 316

### ► Finish

#4 (220grit) Brushed

37" Stairs



Specification

► Assembly Components

Single flat bar 1" x 2",  
 Rail Support - 2" high vertical pin (height adjustment),  
 3 Bar Brackets (3/4" Diameter Bars),  
 Base Flange 5" x 5" x 1/2"

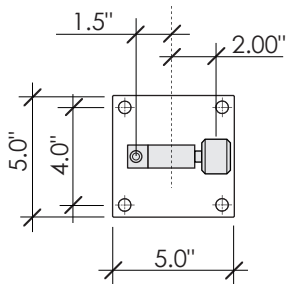
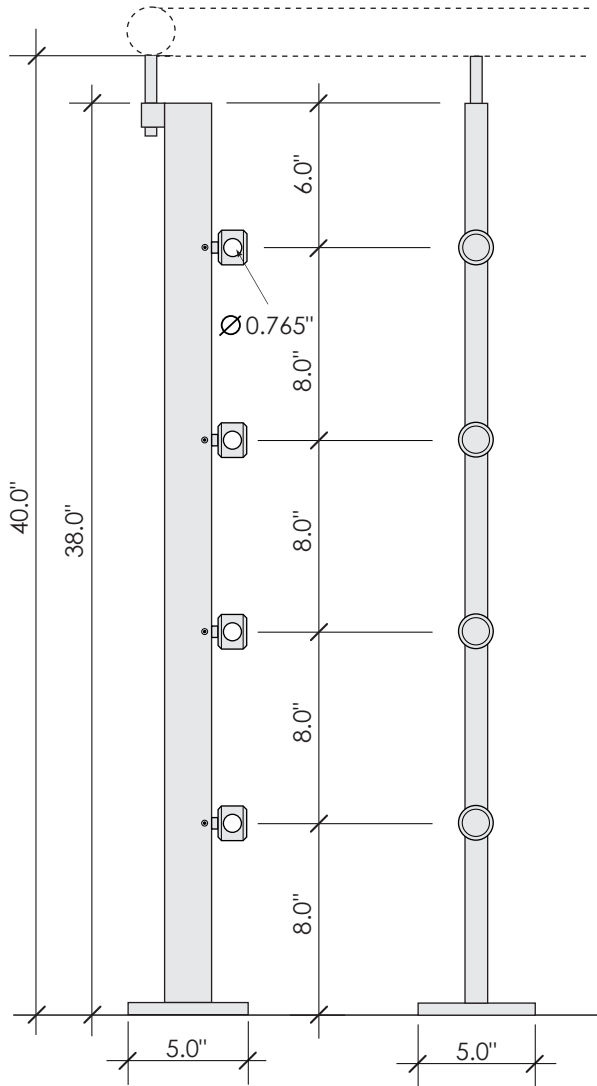
► Material

Stainless Steel 304, 316

► Finish

#4 (220grit) Brushed

36" Guard Rail



## Specification

### ► Assembly Components

Single flat bar 1" x 2",  
 Rail Support - 2" high vertical pin (height adjustment),  
 4 Bar Brackets (3/4" Diameter Bars),  
 Base Flange 5" x 5" x 1/2"

### ► Material

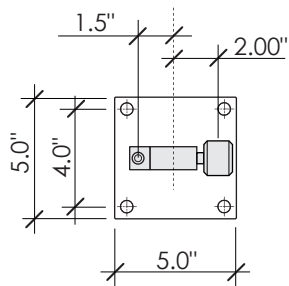
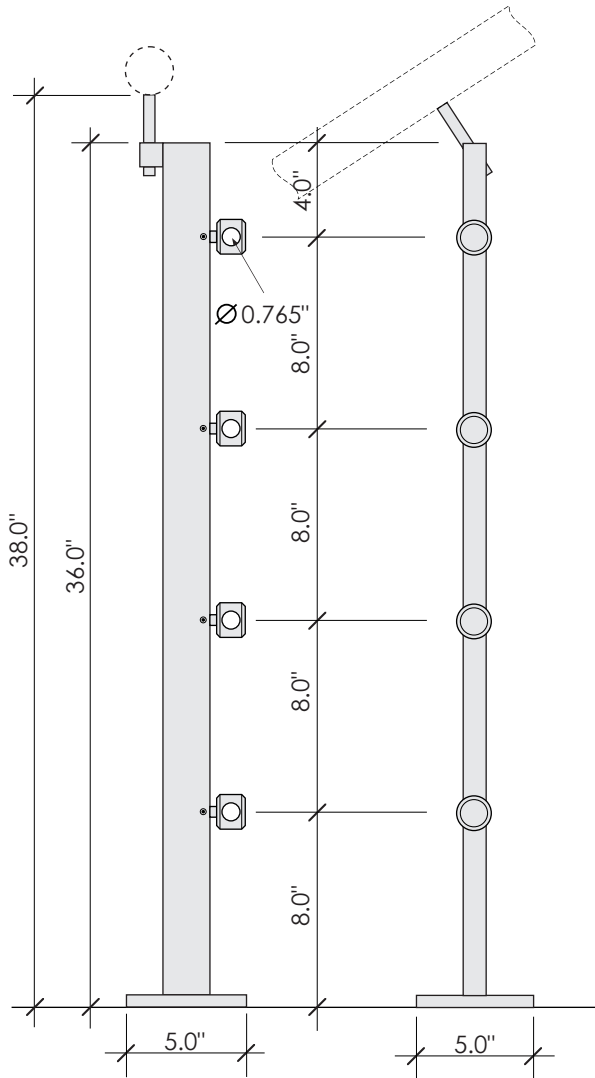
Stainless Steel 304, 316

### ► Finish

#4 (220grit) Brushed

42" Guard Rail

# SS574-S ZeTera Bar Post



## Specification

### ► Assembly Components

Single flat bar 1" x 2",  
Rail Support - 2" high vertical pin (height adjustment),  
4 Bar Brackets (3/4" Diameter Bars),  
Base Flange 5" x 5" x 1/2"

### ► Material

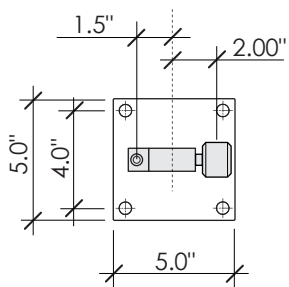
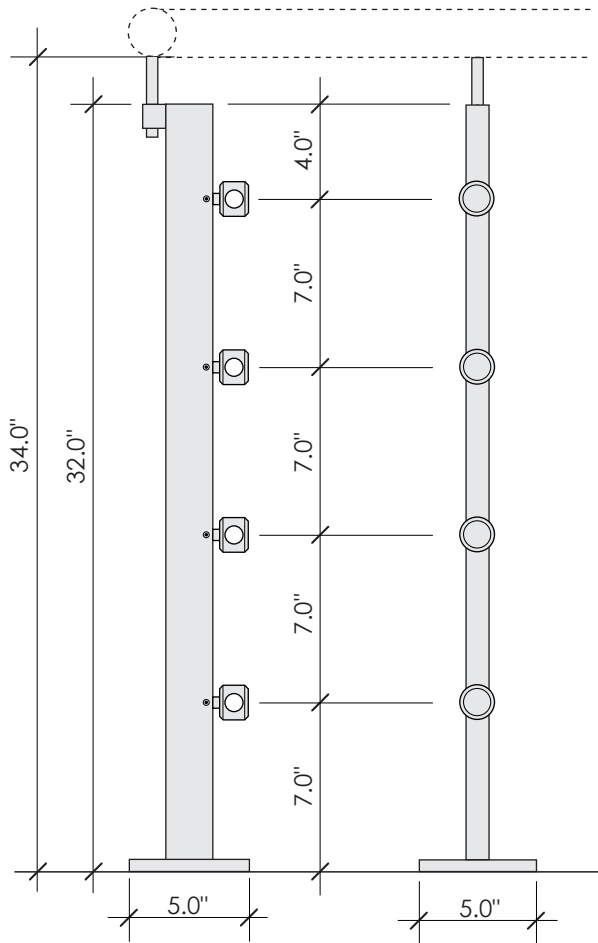
Stainless Steel 304, 316

### ► Finish

#4 (220grit) Brushed

37" Stairs





## Specification

### ► Assembly Components

Single flat bar 1" x 2",  
 Rail Support - 2" high vertical pin (height adjustment),  
 4 Bar Brackets (3/4" Diameter Bars),  
 Base Flange 5" x 5" x 1/2"

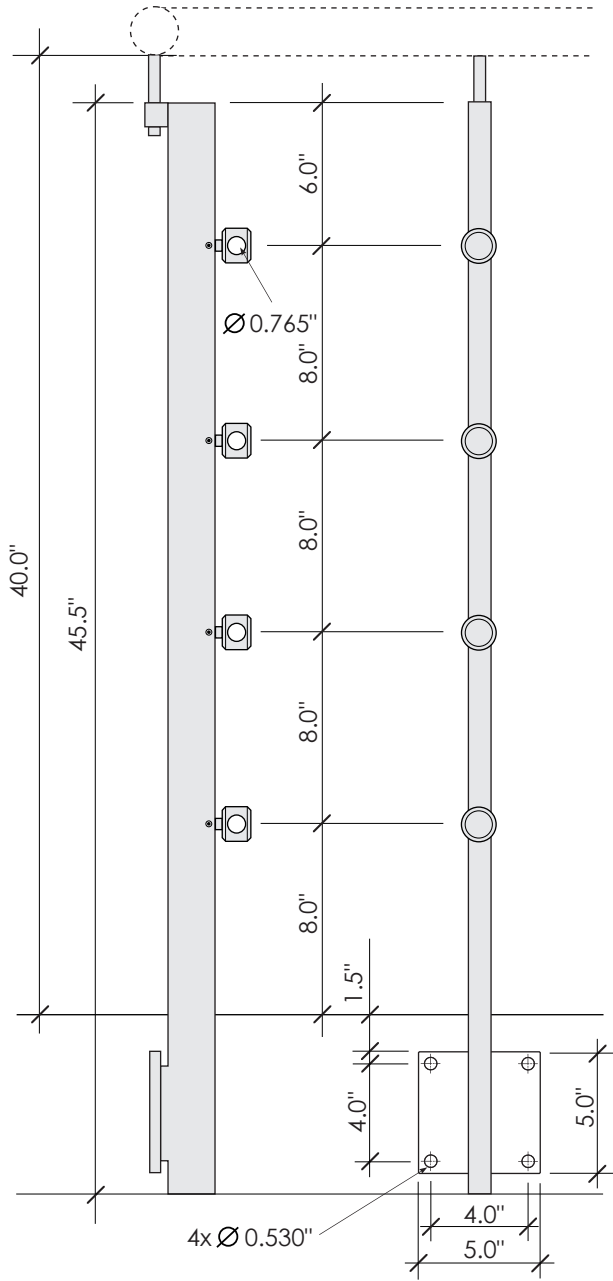
### ► Material

Stainless Steel 304, 316

### ► Finish

#4 (220grit) Brushed

36" Guard Rail



Specification

► Assembly Components

Single flat bar 1" x 2",  
 Rail Support - 2" high vertical pin (height adjustment),  
 4 Bar Brackets (3/4" Diameter Bars),  
 Base Flange 5" x 5" x 1/2"

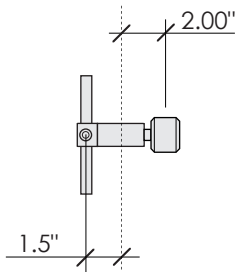
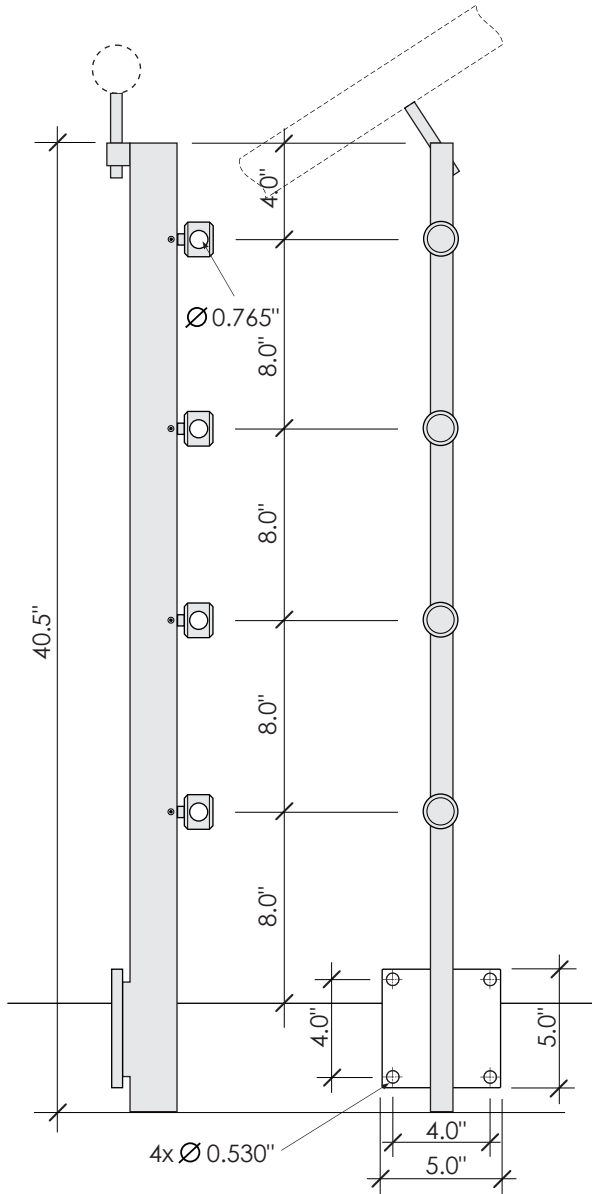
► Material

Stainless Steel 304, 316

► Finish

#4 (220grit) Brushed

42" Guard Rail



## Specification

### ► Assembly Components

Single flat bar 1" x 2",  
 Rail Support - 2" high vertical pin (height adjustment),  
 4 Bar Brackets (3/4" Diameter Bars),  
 Base Flange 5" x 5" x 1/2"

### ► Material

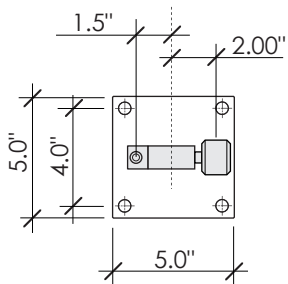
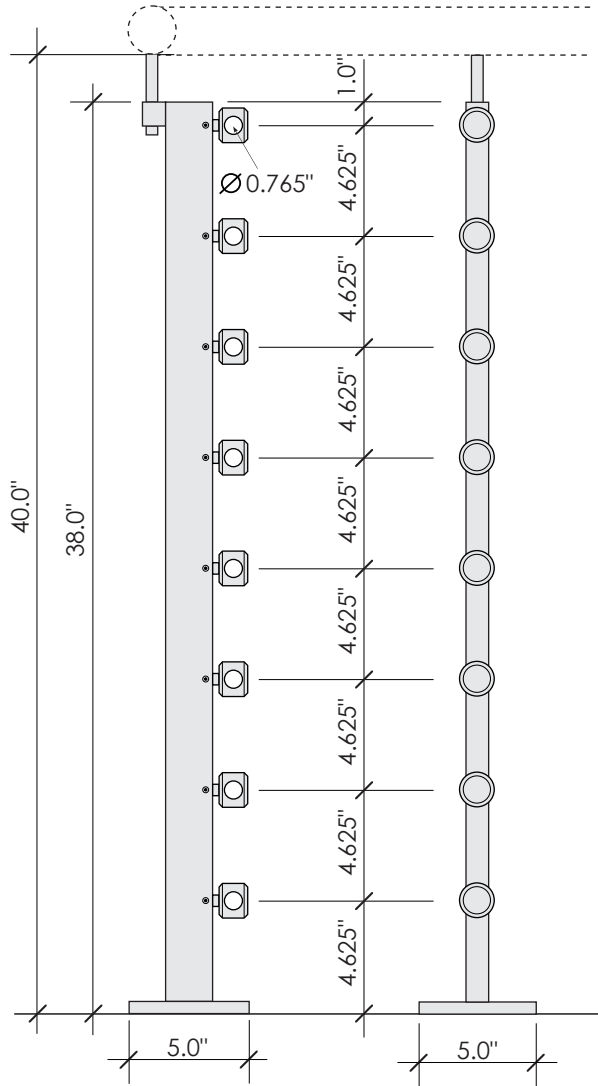
Stainless Steel 304, 316

### ► Finish

#4 (220grit) Brushed

37" Stairs





## Specification

### ► Assembly Components

Single flat bar 1" x 2",  
 Rail Support - 2" high vertical pin (height adjustment),  
 8 Bar Brackets (3/4" Diameter Bars),  
 Base Flange 5" x 5" x 1/2"

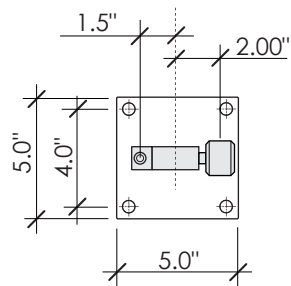
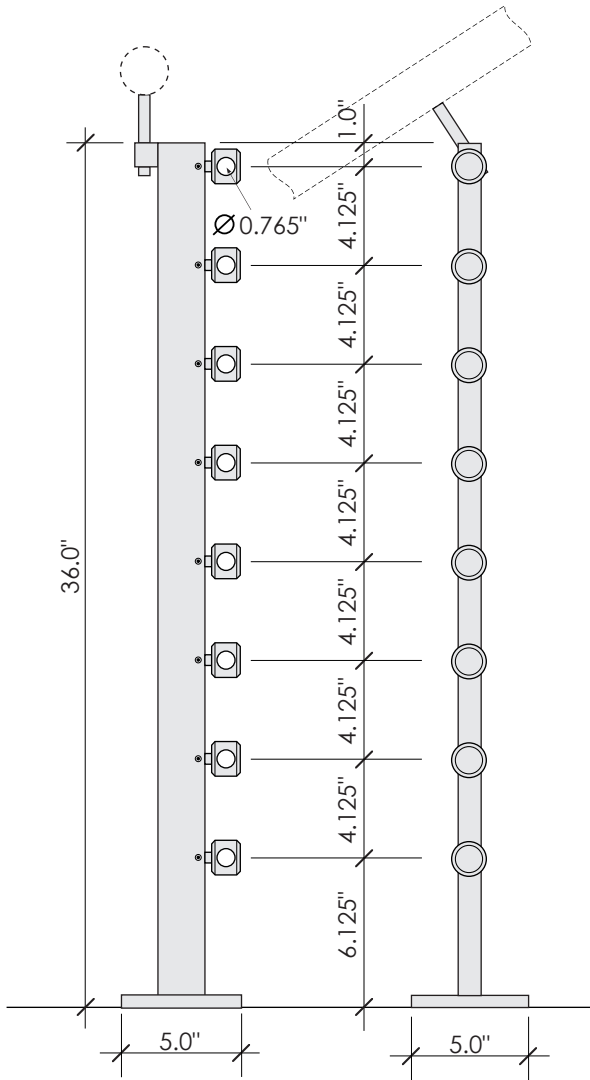
### ► Material

Stainless Steel 304, 316

### ► Finish

#4 (220grit) Brushed

42" Guard Rail



Specification

► Assembly Components

Single flat bar 1" x 2",  
 Rail Support - 2" high vertical pin (height adjustment),  
 8 Bar Brackets (3/4" Diameter Bars),  
 Base Flange 5" x 5" x 1/2"

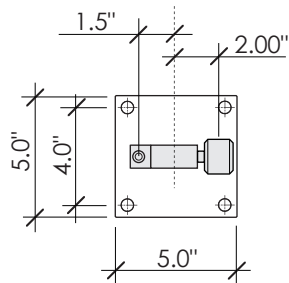
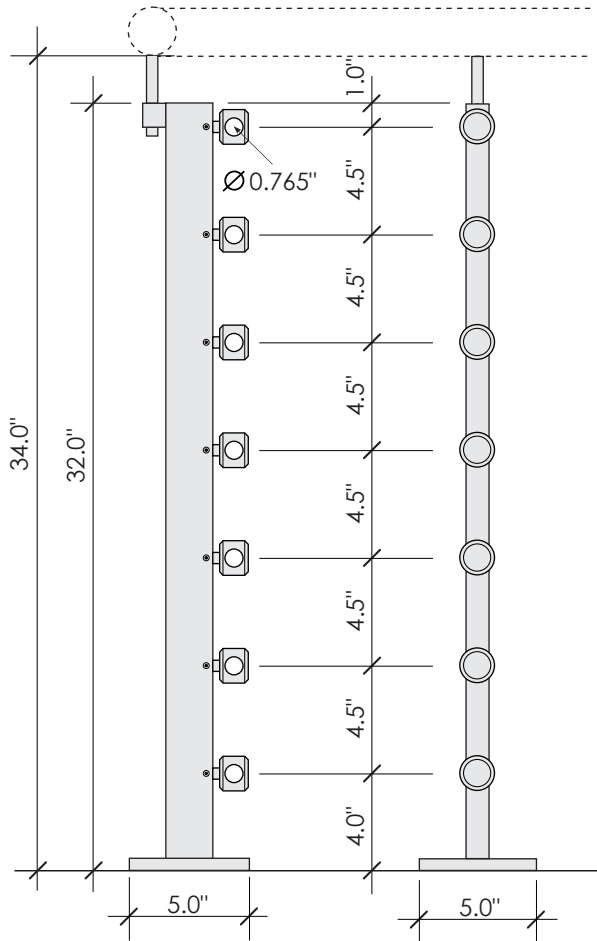
► Material

Stainless Steel 304, 316

► Finish

#4 (220grit) Brushed

37" Stairs



Specification

► Assembly Components

Single flat bar 1" x 2",  
 Rail Support - 2" high vertical pin (height adjustment),  
 7 Bar Brackets (3/4" Diameter Bars),  
 Base Flange 5" x 5" x 1/2"

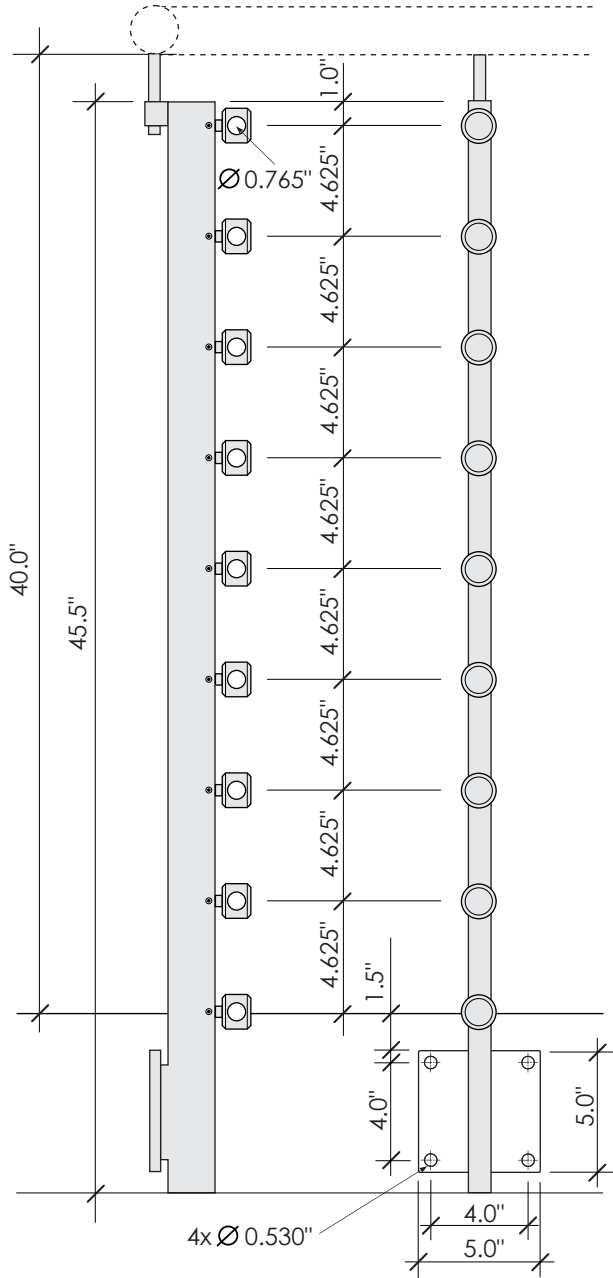
► Material

Stainless Steel 304, 316

► Finish

#4 (220grit) Brushed

36" Guard Rail



Specification

► Assembly Components

Single flat bar 1" x 2",  
 Rail Support - 2" high vertical pin (height adjustment),  
 9 Bar Brackets (3/4" Diameter Bars),  
 Base Flange 5" x 5" x 1/2"

► Material

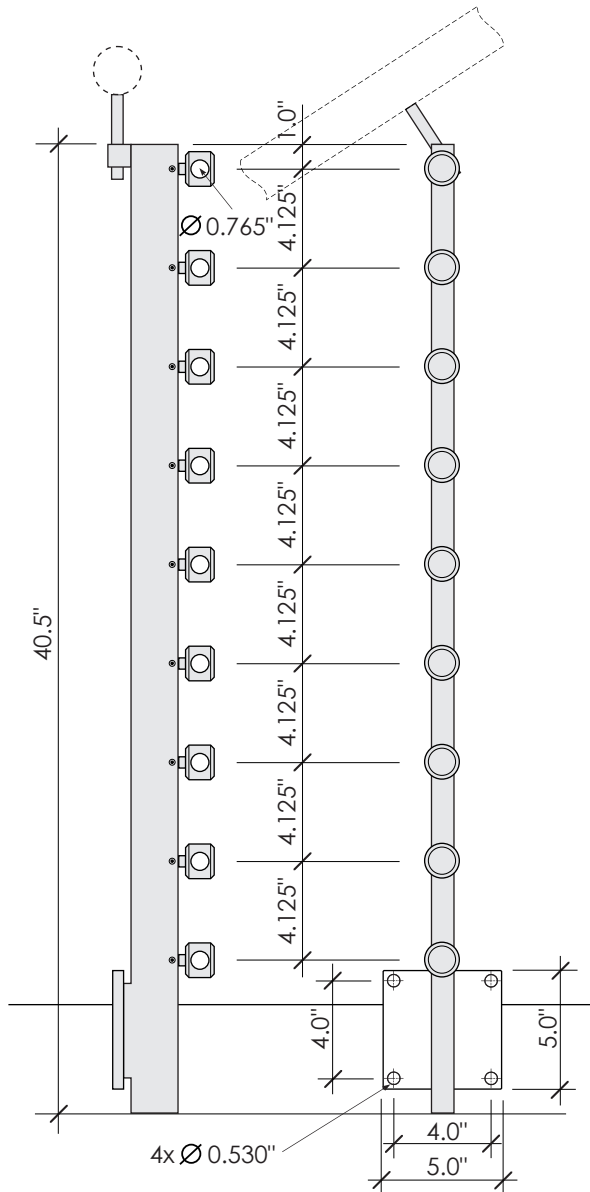
Stainless Steel 304, 316

► Finish

#4 (220grit) Brushed

42" Guard Rail





## Specification

### ► Assembly Components

Single flat bar 1" x 2",  
 Rail Support - 2" high vertical pin (height adjustment),  
 9 Bar Brackets (3/4" Diameter Bars),  
 Base Flange 5" x 5" x 1/2"

### ► Material

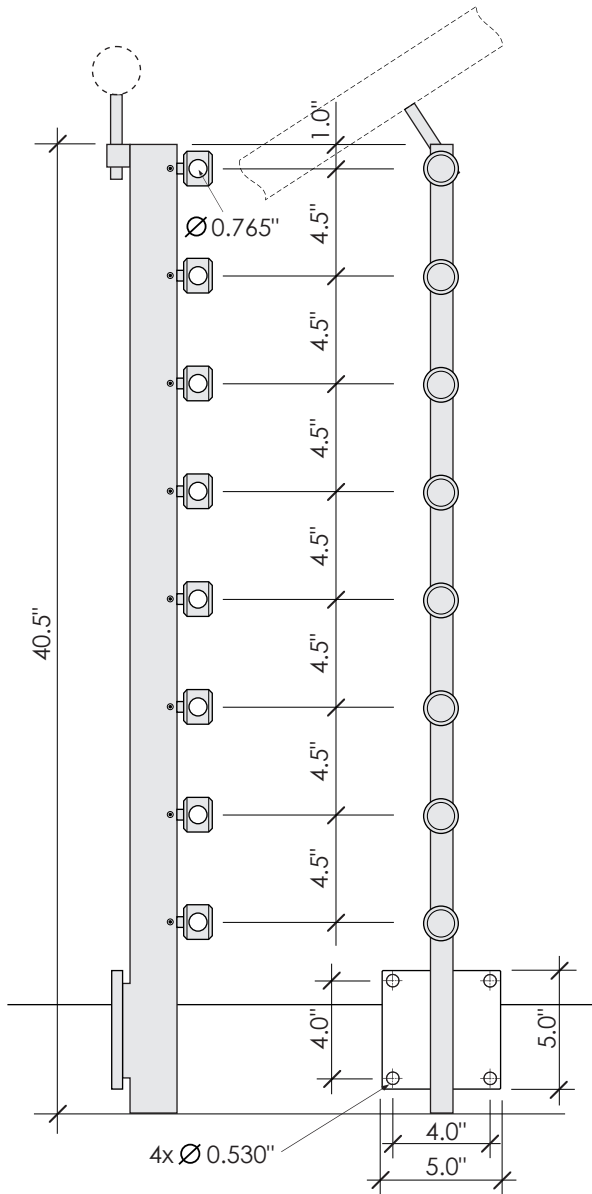
Stainless Steel 304, 316

### ► Finish

#4 (220grit) Brushed

37" Stairs





Specification

► Assembly Components

- Single flat bar 1" x 2",
- Rail Support - 2" high vertical pin (height adjustment),
- 8 Bar Brackets (3/4" Diameter Bars),
- Base Flange 5" x 5" x 1/2"

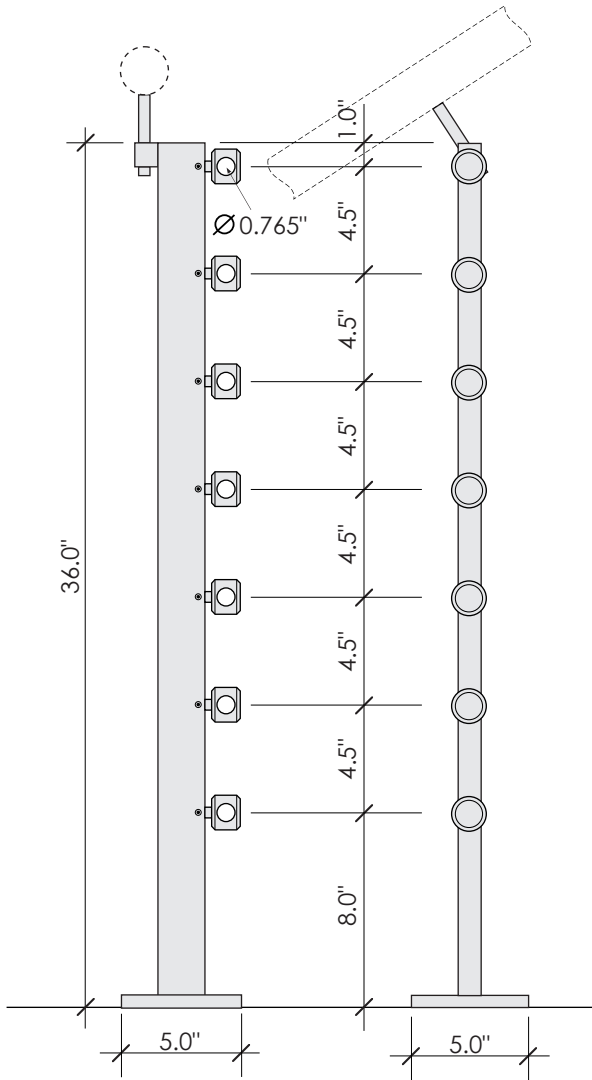
► Material

Stainless Steel 304, 316

► Finish

#4 (220grit) Brushed

37" Stairs



Specification

► Assembly Components

Single flat bar 1" x 2",  
 Rail Support - 2" high vertical pin (height adjustment),  
 7 Bar Brackets (3/4" Diameter Bars),  
 Base Flange 5" x 5" x 1/2"

► Material

Stainless Steel 304, 316

► Finish

#4 (220grit) Brushed

37" Stairs