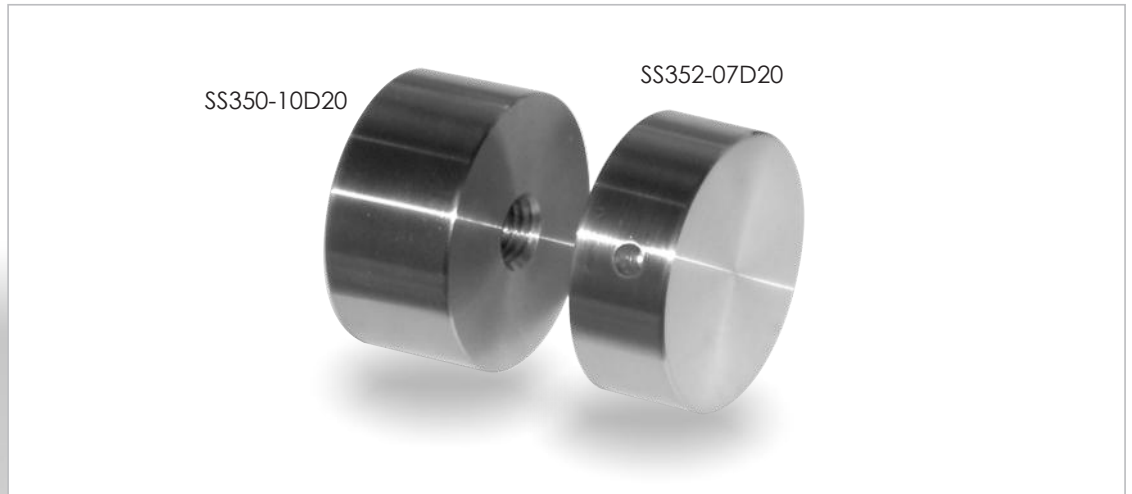


Structural Glazing

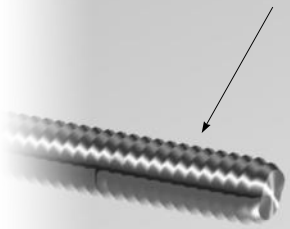




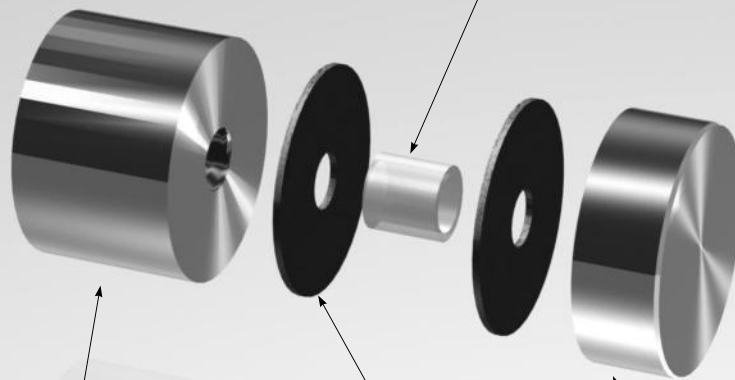
SS350-10D20

SS352-07D20

Threaded Rod



Sleeve (5/8" OD)



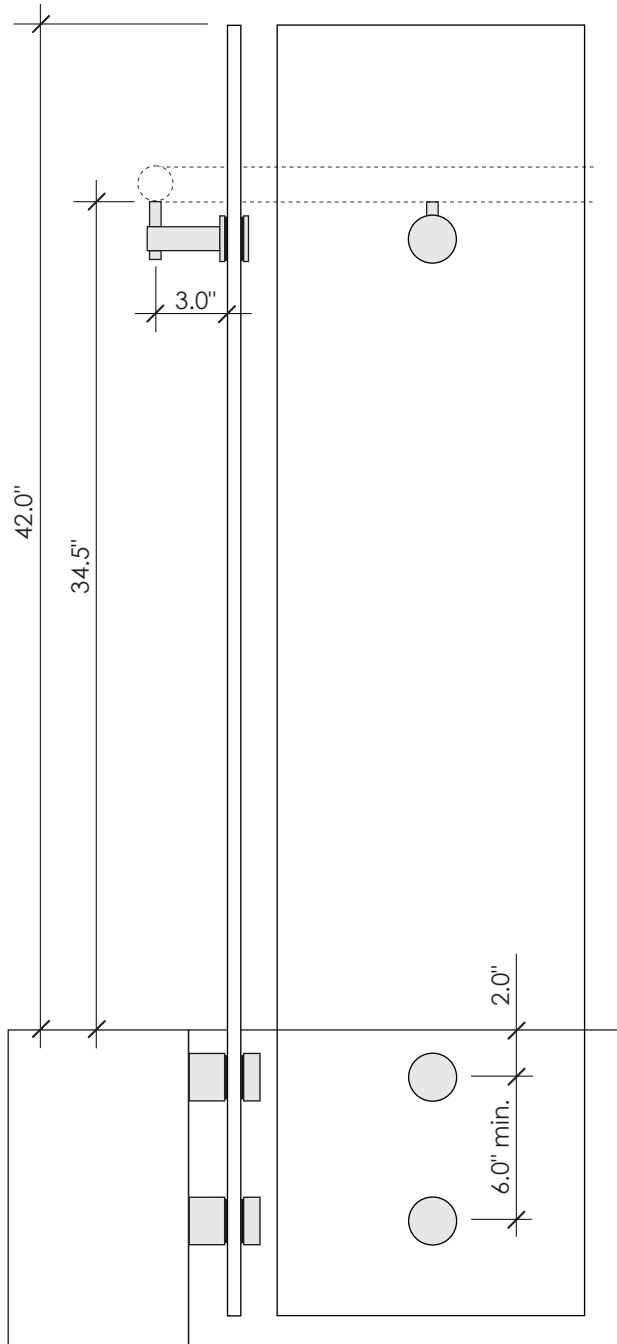
Gasket (1/16" thick)

Standoff Base T - SS350

Standoff Nut - SS352

SETS

SS355-10D20	1" high Standoff Base T and 3/4" Nut, 2" diameter (1/2-13 thread), Including two gaskets and sleeve
SS355-15D20	1-1/2" high Standoff Base T and 3/4" high Nut, 2" diameter (1/2-13 thread), Including two gaskets and sleeve
SS355-20D20	2" high Standoff Base T and 3/4" high Nut, 2" diameter (1/2-13 thread), Including two gaskets and sleeve
SS355-10D25	1" high Standoff Base T and 3/4" high Nut, 2-1/2" diameter (1/2-13 thread), Including two gaskets and sleeve
SS355-15D25	1-1/2" high Standoff Base T and 3/4" high Nut, 2-1/2" diameter (1/2-13 thread), Including two gaskets and sleeve
SS355-20D25	2" high Standoff Base T and 3/4" high Nut, 2-1/2" diameter (1/2-13 thread), Including two gaskets and sleeve
SS355-10D30	1" high Standoff Base T and 3/4" high Nut, 3" diameter (1/2-13 thread), Including two gaskets and sleeve
SS355-15D30	1-1/2" high Standoff Base T and 3/4" high Nut, 3" diameter (1/2-13 thread), Including two gaskets and sleeve
SS355-20D30	2" high Standoff Base T and 3/4" high Nut, 3" diameter (1/2-13 thread), Including two gaskets and sleeve

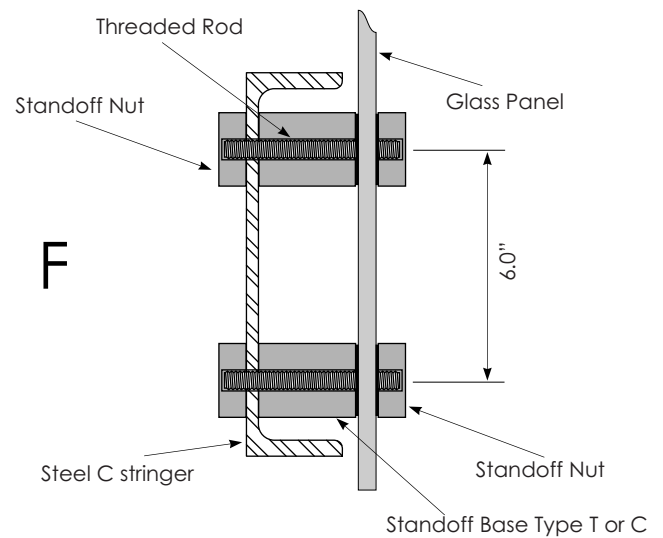
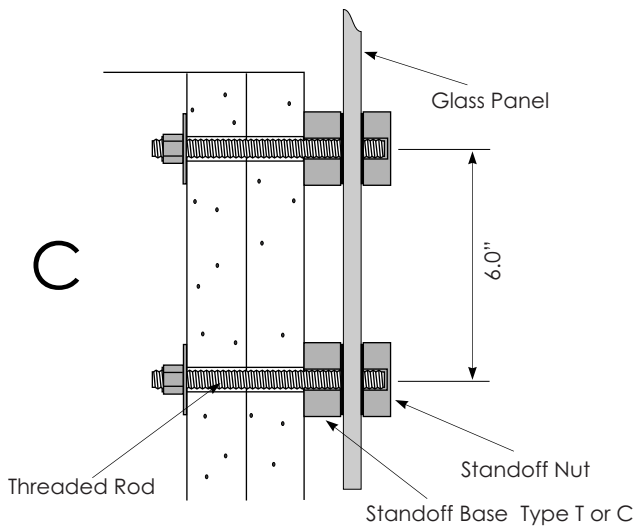
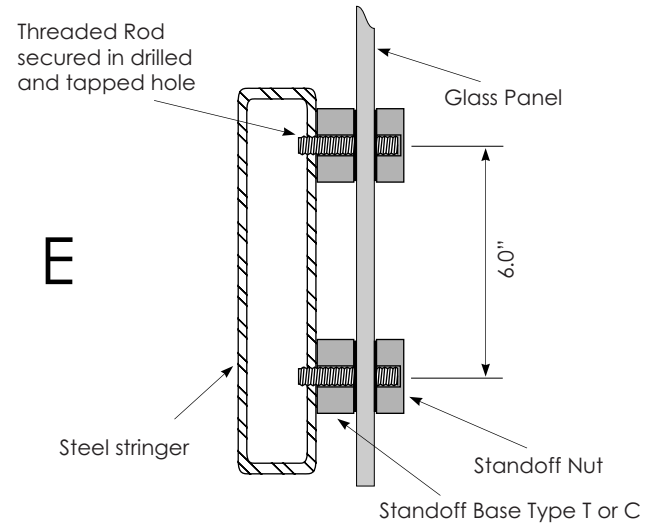
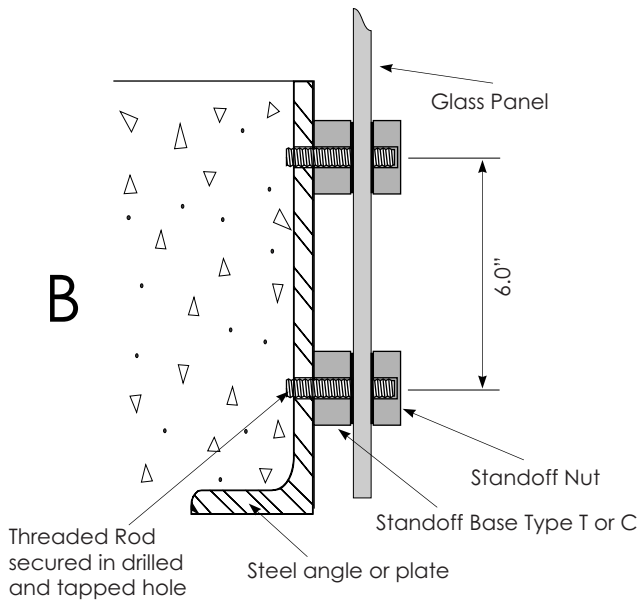
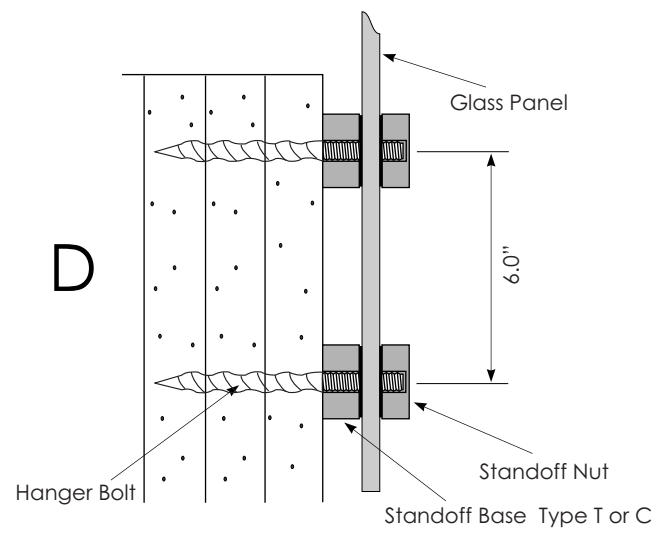
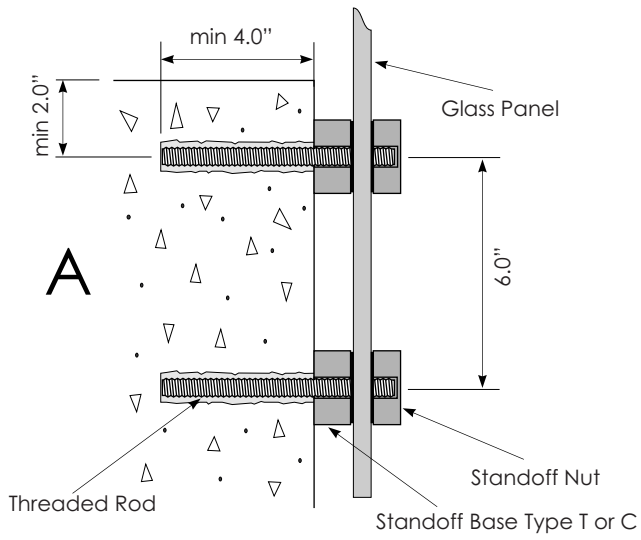


Specification

- ▶ System Components
 - Standoff Set SS355
 - Threaded Rod
 - Rail Support Bracket - SS109-G
- ▶ Material
 - Stainless Steel 304, 316
- ▶ Finish
 - #4 (220grit) Brushed

Holes in glass 1" diameter

36" Hand Rail



Glass



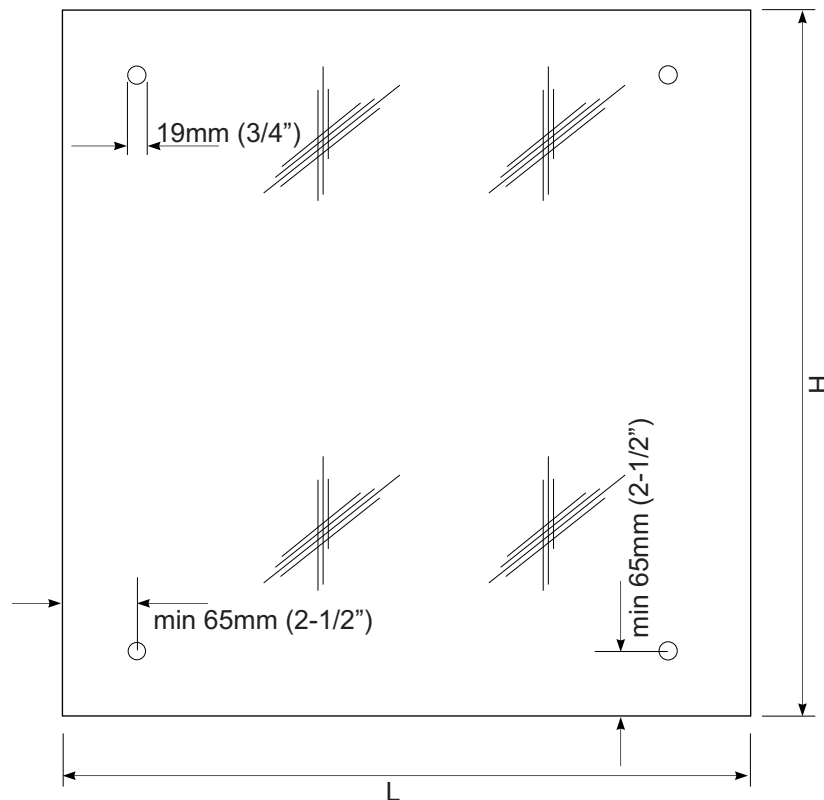
General Info

- ▶ Glass Panel Weight
 $H \text{ (meters)} \times L \text{ (meters)} \times Th \text{ (mm)} \times 2.5 \text{ (result in kg)}$
 - 10mm - 25kg/sqm (5.1 lb/sqft)
 - 12mm - 30kg/sqm (6.1 lb/sqft)
 - 15mm - 38kg/sqm (7.8 lb/sqft)
 - 19mm - 48kg/sqm (9.8 lb/sqft)
 - 3/8" - 5 lb/sqft (25kg/sqm)
 - 1/2" - 6.7 lb/sqft (33kg/sqm)
 - 5/8" - 8.4 lb/sqft (41kg/sqm)
 - 3/4" - 10.1 lb/sqft (49kg/sqm)
- ▶ Diameter of the hole:
 - $D \text{ min} = 1 \times Th \text{ (Th < 12mm (1/2"))}$
 - $D \text{ min} = 1.5 \times Th \text{ (Th > 12mm (1/2"))}$

Post Railing Systems

- ▶ Standard glass thickness for MOGG Railing systems is 10 - 12 mm (3/8" - 1/2")
- ▶ Standard diameter of the hole for MOGG Railing Systems is 25mm (1")

Railing Panel



Structural Glazing

- ▶ Standard glass thickness for Structural Glazing is 12 - 19 mm (1/2" - 3/4")
- ▶ Standard diameter of the hole for Structural Glazing is 25mm - 32mm (1" - 1-1/4")
- ▶ Min hole distance 6"

