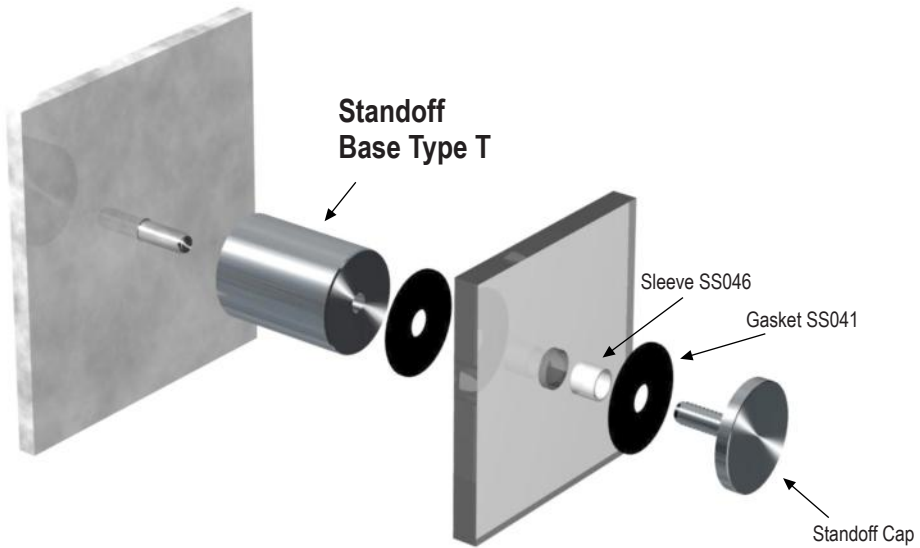
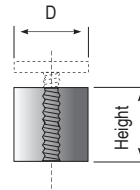




# Standoff Base Type T



Standoff Base  
Type T (threaded)



## Standoff Base Type T

### 1/2" Diameter

1/4-20 Thread	Height
SS050-02D05	1/4"
SS050-05D05	1/2"
SS050-07D05	3/4"
SS050-10D05	1"
SS050-15D05	1-1/2"
SS050-20D05	2"
SS050-25D05	2-1/2"
SS050-30D05	3"
SS050-35D05	3-1/2"
SS050-40D05	4"
SS050-50D05	5"
SS050-60D05	6"
SS050-80D05	8"
SS050-100D05	10"

### 3/4" Diameter

1/4-20 Thread	5/16-18 Thread	3/8-16 Thread	1/2-20 Thread	1/2-13 Thread	Height
SS050-02D07	SS750-02D07	SS450-02D07	SS250-02D07	SS350-02D07	1/4"
SS050-05D07	SS750-05D07	SS450-05D07	SS250-05D07	SS350-05D07	1/2"
SS050-07D07	SS750-07D07	SS450-07D07	SS250-07D07	SS350-07D07	3/4"
SS050-10D07	SS750-10D07	SS450-10D07	SS250-10D07	SS350-10D07	1"
SS050-15D07	SS750-15D07	SS450-15D07	SS250-15D07	SS350-15D07	1-1/2"
SS050-20D07	SS750-20D07	SS450-20D07	SS250-20D07	SS350-20D07	2"
SS050-25D07	SS750-25D07	SS450-25D07	SS250-25D07	SS350-25D07	2-1/2"
SS050-30D07	SS750-30D07	SS450-30D07	SS250-30D07	SS350-30D07	3"
SS050-35D07	SS750-35D07	SS450-35D07	SS250-35D07	SS350-35D07	3-1/2"
SS050-40D07	SS750-40D07	SS450-40D07	SS250-40D07	SS350-40D07	4"
SS050-50D07	SS750-50D07	SS450-50D07	SS250-50D07	SS350-50D07	5"
SS050-60D07	SS750-60D07	SS450-60D07	SS250-60D07	SS350-60D07	6"
SS050-80D07	SS750-80D07	SS450-80D07	SS250-80D07	SS350-80D07	8"
SS050-100D07	SS750-100D07	SS450-100D07	SS250-100D07	SS350-100D07	10"

### 1" Diameter

1/4-20 Thread	5/16-18 Thread	3/8-16 Thread	1/2-20 Thread	1/2-13 Thread	Height
SS050-02D10	SS750-02D10	SS450-02D10	SS250-02D10	SS350-02D10	1/4"
SS050-05D10	SS750-05D10	SS450-05D10	SS250-05D10	SS350-05D10	1/2"
SS050-07D10	SS750-07D10	SS450-07D10	SS250-07D10	SS350-07D10	3/4"
SS050-10D10	SS750-10D10	SS450-10D10	SS250-10D10	SS350-10D10	1"
SS050-15D10	SS750-15D10	SS450-15D10	SS250-15D10	SS350-15D10	1-1/2"
SS050-20D10	SS750-20D10	SS450-20D10	SS250-20D10	SS350-20D10	2"
SS050-25D10	SS750-25D10	SS450-25D10	SS250-25D10	SS350-25D10	2-1/2"
SS050-30D10	SS750-30D10	SS450-30D10	SS250-30D10	SS350-30D10	3"
SS050-35D10	SS750-35D10	SS450-35D10	SS250-35D10	SS350-35D10	3-1/2"
SS050-40D10	SS750-40D10	SS450-40D10	SS250-40D10	SS350-40D10	4"
SS050-50D10	SS750-50D10	SS450-50D10	SS250-50D10	SS350-50D10	5"
SS050-60D10	SS750-60D10	SS450-60D10	SS250-60D10	SS350-60D10	6"
SS050-80D10	SS750-80D10	SS450-80D10	SS250-80D10	SS350-80D10	8"
SS050-100D10	SS750-100D10	SS450-100D10	SS250-100D10	SS350-100D10	10"

## Standoff Base Type T

### 1-1/2" Diameter

1/4-20 Thread	5/16-18 Thread	3/8-16 Thread	1/2-20 Thread	1/2-13 Thread	Height
SS050-02D15	SS750-02D15	SS450-02D15	SS250-02D15	SS350-02D15	1/4"
SS050-05D15	SS750-05D15	SS450-05D15	SS250-05D15	SS350-05D15	1/2"
SS050-07D15	SS750-07D15	SS450-07D15	SS250-07D15	SS350-07D15	3/4"
SS050-10D15	SS750-10D15	SS450-10D15	SS250-10D15	SS350-10D15	1"
SS050-15D15	SS750-15D15	SS450-15D15	SS250-15D15	SS350-15D15	1-1/2"
SS050-20D15	SS750-20D15	SS450-20D15	SS250-20D15	SS350-20D15	2"
SS050-25D15	SS750-25D15	SS450-25D15	SS250-25D15	SS350-25D15	2-1/2"
SS050-30D15	SS750-30D15	SS450-30D15	SS250-30D15	SS350-30D15	3"
SS050-35D15	SS750-35D15	SS450-35D15	SS250-35D15	SS350-35D15	3-1/2"
SS050-40D15	SS750-40D15	SS450-40D15	SS250-40D15	SS350-40D15	4"
SS050-50D15	SS750-50D15	SS450-50D15	SS250-50D15	SS350-50D15	5"
SS050-60D15	SS750-60D15	SS450-60D15	SS250-60D15	SS350-60D15	6"
SS050-80D15	SS750-80D15	SS450-80D15	SS250-80D15	SS350-80D15	8"
SS050-100D15	SS750-100D15	SS450-100D15	SS250-100D15	SS350-100D15	10"

### 2" Diameter

	3/8-16 Thread	1/2-20 Thread	1/2-13 Thread	Height
	SS450-05D20	SS250-05D20	SS350-05D20	1/2"
	SS450-07D20	SS250-07D20	SS350-07D20	3/4"
	SS450-10D20	SS250-10D20	SS350-10D20	1"
	SS450-15D20	SS250-15D20	SS350-15D20	1-1/2"
	SS450-20D20	SS250-20D20	SS350-20D20	2"
	SS450-25D20	SS250-25D20	SS350-25D20	2-1/2"
	SS450-30D20	SS250-30D20	SS350-30D20	3"
	SS450-35D20	SS250-35D20	SS350-35D20	3-1/2"
	SS450-40D20	SS250-40D20	SS350-40D20	4"
	SS450-50D20	SS250-50D20	SS350-50D20	5"
	SS450-60D20	SS250-60D20	SS350-60D20	6"
	SS450-80D20	SS250-80D20	SS350-80D20	8"
	SS450-100D20	SS250-100D20	SS350-100D20	10"

### 2-1/2" Diameter

	3/8-16 Thread	1/2-20 Thread	1/2-13 Thread	Height
	SS450-05D25	SS250-05D25	SS350-05D25	1/2"
	SS450-07D25	SS250-07D25	SS350-07D25	3/4"
	SS450-10D25	SS250-10D25	SS350-10D25	1"
	SS450-15D25	SS250-15D25	SS350-15D25	1-1/2"
	SS450-20D25	SS250-20D25	SS350-20D25	2"
	SS450-25D25	SS250-25D25	SS350-25D25	2-1/2"
	SS450-30D25	SS250-30D25	SS350-30D25	3"
	SS450-35D25	SS250-35D25	SS350-35D25	3-1/2"
	SS450-40D25	SS250-40D25	SS350-40D25	4"
	SS450-50D25	SS250-50D25	SS350-50D25	5"
	SS450-60D25	SS250-60D25	SS350-60D25	6"
	SS450-80D25	SS250-80D25	SS350-80D25	8"
	SS450-100D25	SS250-100D25	SS350-100D25	10"

## Standoff Base Type T

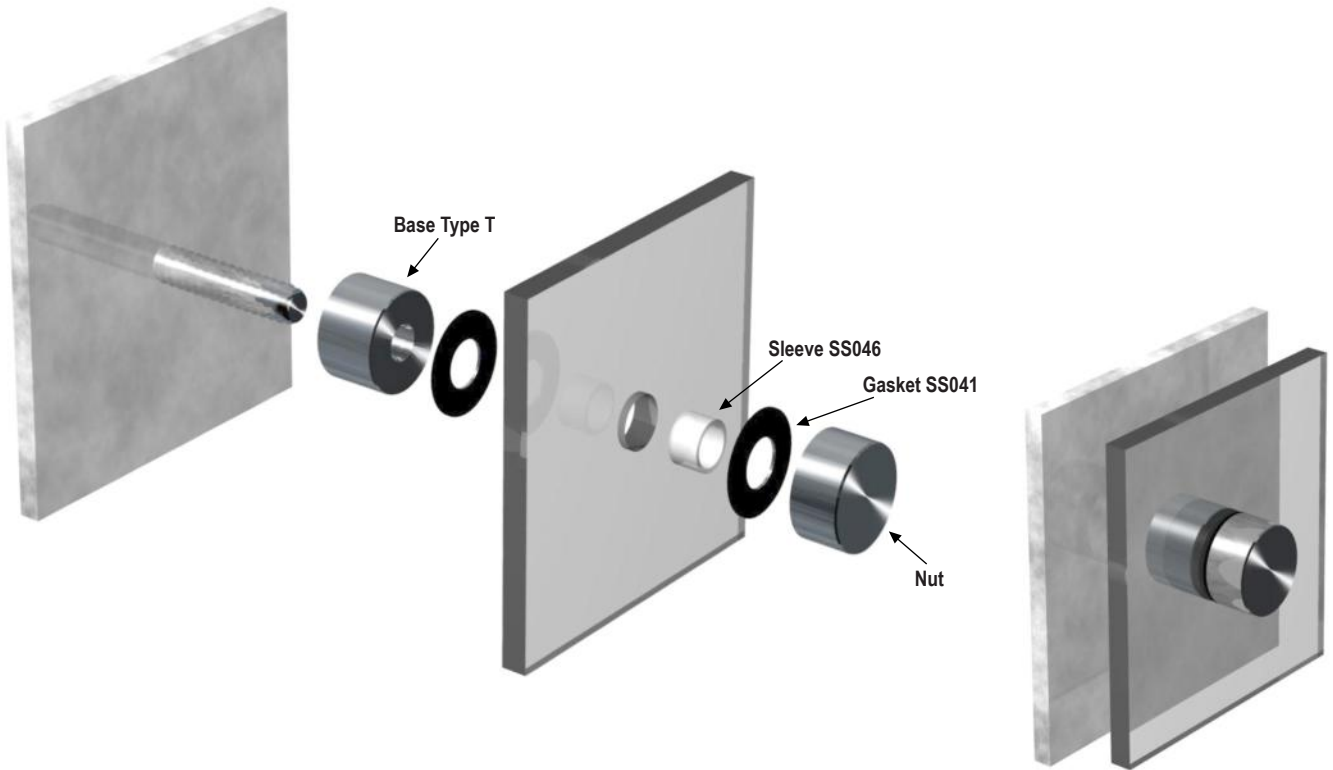
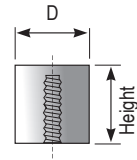
### 3" Diameter

	1/2-20 Thread	1/2-13 Thread	Height
	SS250-05D30	SS350-05D30	1/2"
	SS250-07D30	SS350-07D30	3/4"
	SS250-10D30	SS350-10D30	1"
	SS250-15D30	SS350-15D30	1-1/2"
	SS250-20D30	SS350-20D30	2"
	SS250-25D30	SS350-25D30	2-1/2"
	SS250-30D30	SS350-30D30	3"
	SS250-35D30	SS350-35D30	3-1/2"
	SS250-40D30	SS350-40D30	4"
	SS250-50D30	SS350-50D30	5"
	SS250-60D30	SS350-60D30	6"
	SS250-80D30	SS350-80D30	8"
	SS250-100D30	SS350-100D30	10"

### 4" Diameter

	1/2-20 Thread	1/2-13 Thread	Height
	SS250-05D40	SS350-05D40	1/2"
	SS250-07D40	SS350-07D40	3/4"
	SS250-10D40	SS350-10D40	1"
	SS250-15D40	SS350-15D40	1-1/2"
	SS250-20D40	SS350-20D40	2"
	SS250-25D40	SS350-25D40	2-1/2"
	SS250-30D40	SS350-30D40	3"
	SS250-35D40	SS350-35D40	3-1/2"
	SS250-40D40	SS350-40D40	4"
	SS250-50D40	SS350-50D40	5"
	SS250-60D40	SS350-60D40	6"
	SS250-80D40	SS350-80D40	8"
	SS250-100D40	SS350-100D40	10"

# Standoff Nut



## Standoff Nut

### 1/2" Diameter

1/4-20 Thread	Height
SS052-05D05	1/2"
SS052-07D05	3/4"
SS052-10D05	1"
SS052-15D05	1-1/2"
SS052-20D05	2"
SS052-25D05	2-1/2"

### 3/4" Diameter

1/4-20 Thread	5/16-18 Thread	3/8-16 Thread	1/2-20 Thread	1/2-13 Thread	Height
SS052-05D07	SS752-05D07				1/2"
SS052-07D07	SS752-07D07	SS152-07D07	SS252-07D07	SS352-07D07	3/4"
SS052-10D07	SS752-10D07	SS152-10D07	SS252-10D07	SS352-10D07	1"
SS052-15D07	SS752-15D07	SS152-15D07	SS252-15D07	SS352-15D07	1-1/2"
SS052-20D07	SS752-20D07	SS152-20D07	SS252-20D07	SS352-20D07	2"
SS052-25D07	SS752-25D07	SS152-25D07	SS252-25D07	SS352-25D07	2-1/2"

### 1" Diameter

1/4-20 Thread	5/16-18 Thread	3/8-16 Thread	1/2-20 Thread	1/2-13 Thread	Height
SS052-05D10	SS752-05D10				1/2"
SS052-07D10	SS752-07D10	SS152-07D10	SS252-07D10	SS352-07D10	3/4"
SS052-10D10	SS752-10D10	SS152-10D10	SS252-10D10	SS352-10D10	1"
SS052-15D10	SS752-15D10	SS152-15D10	SS252-15D10	SS352-15D10	1-1/2"
SS052-20D10	SS752-20D10	SS152-20D10	SS252-20D10	SS352-20D10	2"
SS052-25D10	SS752-25D10	SS152-25D10	SS252-25D10	SS352-25D10	2-1/2"

### 1-1/2" Diameter

1/4-20 Thread	5/16-18 Thread	3/8-16 Thread	1/2-20 Thread	1/2-13 Thread	Height
SS052-05D15	SS752-05D15				1/2"
SS052-07D15	SS752-07D15	SS152-07D15	SS252-07D15	SS352-07D15	3/4"
SS052-10D15	SS752-10D15	SS152-10D15	SS252-10D15	SS352-10D15	1"
SS052-15D15	SS752-15D15	SS152-15D15	SS252-15D15	SS352-15D15	1-1/2"
SS052-20D15	SS752-20D15	SS152-20D15	SS252-20D15	SS352-20D15	2"
SS052-25D15	SS752-25D15	SS152-25D15	SS252-25D15	SS352-25D15	2-1/2"
SS052-30D15	SS752-30D15	SS152-30D15	SS252-30D15	SS352-30D15	3"
SS052-35D15	SS752-35D15	SS152-35D15	SS252-35D15	SS352-35D15	3-1/2"
SS052-40D15	SS752-40D15	SS152-40D15	SS252-40D15	SS352-40D15	4"
SS052-50D15	SS752-50D15	SS152-50D15	SS252-50D15	SS352-50D15	5"
SS052-60D15	SS752-60D15	SS152-60D15	SS252-60D15	SS352-60D15	6"
SS052-80D15	SS752-80D15	SS152-80D15	SS252-80D15	SS352-80D15	8"
SS052-100D15	SS752-100D15	SS152-100D15	SS252-100D15	SS352-100D15	10"

## Standoff Nut

### 2" Diameter

	3/8-16 Thread	1/2-20 Thread	1/2-13 Thread	Height
	SS152-07D20	SS252-07D20	SS352-07D20	3/4"
	SS152-10D20	SS252-10D20	SS352-10D20	1"
	SS152-15D20	SS252-15D20	SS352-15D20	1-1/2"
	SS152-20D20	SS252-20D20	SS352-20D20	2"
	SS152-25D20	SS252-25D20	SS352-25D20	2-1/2"
	SS152-30D20	SS252-30D20	SS352-30D20	3"
	SS152-35D20	SS252-35D20	SS352-35D20	3-1/2"
	SS152-40D20	SS252-40D20	SS352-40D20	4"
	SS152-50D20	SS252-50D20	SS352-50D20	5"
	SS152-60D20	SS252-60D20	SS352-60D20	6"
	SS152-80D20	SS252-80D20	SS352-80D20	8"
	SS152-100D20	SS252-100D20	SS352-100D20	10"

### 2-1/2" Diameter

	3/8-16 Thread	1/2-20 Thread	1/2-13 Thread	Height
	SS152-07D25	SS252-07D25	SS352-07D25	3/4"
	SS152-10D25	SS252-10D25	SS352-10D25	1"
	SS152-15D25	SS252-15D25	SS352-15D25	1-1/2"
	SS152-20D25	SS252-20D25	SS352-20D25	2"
	SS152-25D25	SS252-25D25	SS352-25D25	2-1/2"
	SS152-30D25	SS252-30D25	SS352-30D25	3"
	SS152-35D25	SS252-35D25	SS352-35D25	3-1/2"
	SS152-40D25	SS252-40D25	SS352-40D25	4"
	SS152-50D25	SS252-50D25	SS352-50D25	5"
	SS152-60D25	SS252-60D25	SS352-60D25	6"
	SS152-80D25	SS252-80D25	SS352-80D25	8"
	SS152-100D25	SS252-100D25	SS352-100D25	10"

### 3" Diameter

	1/2-20 Thread	1/2-13 Thread	Height
	SS252-07D30	SS352-07D30	3/4"
	SS252-10D30	SS352-10D30	1"
	SS252-15D30	SS352-15D30	1-1/2"
	SS252-20D30	SS352-20D30	2"
	SS252-25D30	SS352-25D30	2-1/2"
	SS252-30D30	SS352-30D30	3"
	SS252-35D30	SS352-35D30	3-1/2"
	SS252-40D30	SS352-40D30	4"
	SS252-50D30	SS352-50D30	5"
	SS252-60D30	SS352-60D30	6"
	SS252-80D30	SS352-80D30	8"
	SS252-100D30	SS352-100D30	10"

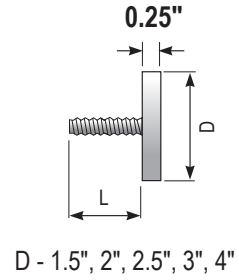
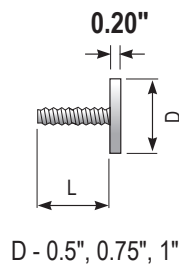


**Standoff Nut**

## 4" Diameter

	1/2-20 Thread	1/2-13 Thread	Height
	SS252-07D40	SS352-07D40	3/4"
	SS252-10D40	SS352-10D40	1"
	SS252-15D40	SS352-15D40	1-1/2"
	SS252-20D40	SS352-20D40	2"
	SS252-25D40	SS352-25D40	2-1/2"
	SS252-30D40	SS352-30D40	3"
	SS252-35D40	SS352-35D40	3-1/2"
	SS252-40D40	SS352-40D40	4"
	SS252-50D40	SS352-50D40	5"
	SS252-60D40	SS352-60D40	6"
	SS252-80D40	SS352-80D40	8"
	SS252-100D40	SS352-100D40	10"

# Standoff Cap



## 1/2" Diameter

1/4-20 Thread	Thread Length
SS051-05D05	1/2"
SS051-07D05	3/4"
SS051-10D05	1"
SS051-12D05	1-1/4"
SS051-15D05	1-1/2"

## 3/4" Diameter

1/4-20 Thread	5/16-18 Thread	3/8-16 Thread	1/2-20 Thread	Thread Length
SS051-05D07				1/2"
SS051-07D07	SS751-07D07	SS151-07D07	SS251-07D07	3/4"
SS051-10D07	SS751-10D07	SS151-10D07	SS251-10D07	1"
SS051-12D07	SS751-12D07	SS151-12D07	SS251-12D07	1-1/4"
SS051-15D07	SS751-15D07	SS151-15D07	SS251-15D07	1-1/2"

## 1" Diameter

1/4-20 Thread	5/16-18 Thread	3/8-16 Thread	1/2-20 Thread	1/2-13 Thread	Thread Length
SS051-05D10					1/2"
SS051-07D10	SS751-07D10	SS151-07D10	SS251-07D10	SS351-07D10	3/4"
SS051-10D10	SS751-10D10	SS151-10D10	SS251-10D10	SS351-10D10	1"
SS051-12D10	SS751-12D10	SS151-12D10	SS251-12D10	SS351-12D10	1-1/4"
SS051-15D10	SS751-15D10	SS151-15D10	SS251-15D10	SS351-15D10	1-1/2"

## 1-1/2" Diameter

1/4-20 Thread	5/16-18 Thread	3/8-16 Thread	1/2-20 Thread	1/2-13 Thread	Thread Length
SS051-05D15					1/2"
SS051-07D15	SS751-07D15	SS151-07D15	SS251-07D15	SS351-07D15	3/4"
SS051-10D15	SS751-10D15	SS151-10D15	SS251-10D15	SS351-10D15	1"
SS051-12D15	SS751-12D15	SS151-12D15	SS251-12D15	SS351-12D15	1-1/4"
SS051-15D15	SS751-15D15	SS151-15D15	SS251-15D15	SS351-15D15	1-1/2"

# Standoff Cap

## 2" Diameter

3/8-16 Thread	1/2-20 Thread	1/2-13 Thread	Thread Length
SS151-07D20	SS251-07D20	SS351-07D20	3/4"
SS151-10D20	SS251-10D20	SS351-10D20	1"
SS151-12D20	SS251-12D20	SS351-12D20	1-1/4"
SS151-15D20	SS251-15D20	SS351-15D20	1-1/2"
	SS251-20D20	SS351-20D20	2"

## 2-1/2" Diameter

	1/2-20 Thread	1/2-13 Thread	Thread Length
	SS251-07D25	SS351-07D25	3/4"
	SS251-10D25	SS351-10D25	1"
	SS251-12D25	SS351-12D25	1-1/4"
	SS251-15D25	SS351-15D25	1-1/2"
	SS251-20D25	SS351-20D25	2"

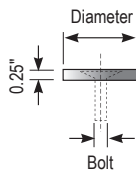
## 3" Diameter

	1/2-20 Thread	1/2-13 Thread	Thread Length
	SS251-07D30	SS351-07D30	3/4"
	SS251-10D30	SS351-10D30	1"
	SS251-12D30	SS351-12D30	1-1/4"
	SS251-15D30	SS351-15D30	1-1/2"
	SS251-20D30	SS351-20D30	2"

## 4" Diameter

	1/2-20 Thread	1/2-13 Thread	Thread Length
	SS251-07D40	SS351-07D40	3/4"
	SS251-10D40	SS351-10D40	1"
	SS251-12D40	SS351-12D40	1-1/4"
	SS251-15D40	SS351-15D40	1-1/2"
	SS251-20D40	SS351-20D40	2"

# Washer



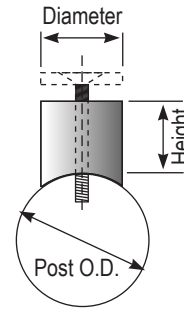
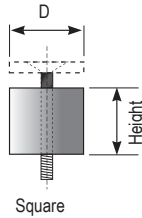
## 1" Diameter

1/4 Bolt
SS021-D10

## 1-1/2" Diameter

1/4 Bolt
SS021-D15

# Standoff Base Type C



## 1/2" Diameter

1/4 Hole	Height
SS024-02D05	1/4"
SS024-05D05	1/2"
SS024-07D05	3/4"
SS024-10D05	1"
SS024-15D05	1-1/2"

## 3/4" Diameter

1/4 Hole	5/16 Hole	3/8 Hole	1/2 Hole	Height
SS024-02D07	SS724-02D07	SS424-02D07	SS224-02D07	1/4"
SS024-05D07	SS724-05D07	SS424-05D07	SS224-05D07	1/2"
SS024-07D07	SS724-07D07	SS424-07D07	SS224-07D07	3/4"
SS024-10D07	SS724-10D07	SS424-10D07	SS224-10D07	1"
SS024-15D07	SS724-15D07	SS424-15D07	SS224-15D07	1-1/2"

## 1" Diameter

1/4 Hole	5/16 Hole	3/8 Hole	1/2 Hole	Height
SS024-02D10	SS724-02D10	SS424-02D10	SS224-02D10	1/4"
SS024-05D10	SS724-05D10	SS424-05D10	SS224-05D10	1/2"
SS024-07D10	SS724-07D10	SS424-07D10	SS224-07D10	3/4"
SS024-10D10	SS724-10D10	SS424-10D10	SS224-10D10	1"
SS024-15D10	SS724-15D10	SS424-15D10	SS224-15D10	1-1/2"

## 1-1/2" Diameter

1/4 Hole	5/16 Hole	3/8 Hole	1/2 Hole	Height
SS024-02D15	SS724-02D15	SS424-02D15	SS224-02D15	1/4"
SS024-05D15	SS724-05D15	SS424-05D15	SS224-05D15	1/2"
SS024-07D15	SS724-07D15	SS424-07D15	SS224-07D15	3/4"
SS024-10D15	SS724-10D15	SS424-10D15	SS224-10D15	1"
SS024-15D15	SS724-15D15	SS424-15D15	SS224-15D15	1-1/2"

## 2" Diameter

	3/8 Hole	1/2 Hole	Height
	SS424-05D20	SS224-05D20	1/2"
	SS424-07D20	SS224-07D20	3/4"
	SS424-10D20	SS224-10D20	1"
	SS424-15D20	SS224-15D20	1-1/2"
		SS224-20D20	2"

## Standoff Base Type C

### 2-1/2" Diameter

	3/8 Hole	1/2 Hole	Height
	SS424-05D25	SS224-05D25	1/2"
	SS424-07D25	SS224-07D25	3/4"
	SS424-10D25	SS224-10D25	1"
	SS424-15D25	SS224-15D25	1-1/2"
		SS224-20D25	2"

### 3" Diameter

	1/2 Hole	Height
	SS224-05D30	1/2"
	SS224-07D30	3/4"
	SS224-10D30	1"
	SS224-15D30	1-1/2"
	SS224-20D30	2"

### 4" Diameter

	1/2 Hole	Height
	SS224-05D40	1/2"
	SS224-07D40	3/4"
	SS224-10D40	1"
	SS224-15D40	1-1/2"
	SS224-20D40	2"

## Standoff Base Type C - Round Post

### 1" Diameter - 1-1/2" POST

1/4 Hole	5/16 Hole	3/8 Hole	1/2 Hole	Height
SS025-02D10	SS725-02D10	SS425-02D10	SS225-02D10	1/4"
SS025-05D10	SS725-05D10	SS425-05D10	SS225-05D10	1/2"
SS025-07D10	SS725-07D10	SS425-07D10	SS225-07D10	3/4"
SS025-10D10	SS725-10D10	SS425-10D10	SS225-10D10	1"
SS025-15D10	SS725-15D10	SS425-15D10	SS225-15D10	1-1/2"

### 1" Diameter - 2" POST

1/4 Hole	5/16 Hole	3/8 Hole	1/2 Hole	Height
SS026-02D10	SS726-02D10	SS426-02D10	SS226-02D10	1/4"
SS026-05D10	SS726-05D10	SS426-05D10	SS226-05D10	1/2"
SS026-07D10	SS726-07D10	SS426-07D10	SS226-07D10	3/4"
SS026-10D10	SS726-10D10	SS426-10D10	SS226-10D10	1"
SS026-15D10	SS726-15D10	SS426-15D10	SS226-15D10	1-1/2"

### 1-1/2" Diameter - 2" POST

1/4 Hole	5/16 Hole	3/8 Hole	1/2 Hole	Height
SS026-02D15	SS726-02D15	SS426-02D15	SS226-02D15	1/4"
SS026-05D15	SS726-05D15	SS426-05D15	SS226-05D15	1/2"
SS026-07D15	SS726-07D15	SS426-07D15	SS226-07D15	3/4"
SS026-10D15	SS726-10D15	SS426-10D15	SS226-10D15	1"
SS026-15D15	SS726-15D15	SS426-15D15	SS226-15D15	1-1/2"

## Bolts



### Hanger Bolt

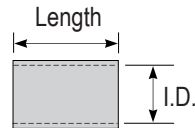
Length	1/4-20 Thread	5/16-18 Thread	3/8-16 Thread	1/2-20 Thread	1/2-13 Thread
2"	SS027-L20	SS727-L20	SS127-L20		
3"			SS127-L30	SS227-L30	SS327-L30
4"				SS227-L40	SS327-L40
5"				SS227-L50	SS327-L50
6"				SS227-L60	SS327-L60



### Setscrew

Length	1/4-20 Thread	5/16-18 Thread	3/8-16 Thread	1/2-20 Thread	1/2-13 Thread
1/4"	SS028-L02				
1/2"	SS028-L05	SS728-L05			
3/4"	SS028-L07	SS728-L07			
1"	SS028-L10	SS728-L10	SS128-L10	SS228-L10	SS328-L10
1-1/2"	SS028-L15	SS728-L15	SS128-L15	SS228-L15	SS328-L15
2"	SS028-L20	SS728-L20	SS128-L20	SS228-L20	SS328-L20
3"	SS028-L30	SS728-L30	SS128-L30	SS228-L30	SS328-L30
4"				SS228-L40	SS328-L40
5"				SS228-L50	SS328-L50
6"				SS228-L60	SS328-L60
8"				SS228-L80	SS328-L80

## Gaskets & Sleeves



### Sleeves

Length	1/4" I.D.	5/16" I.D.	3/8" I.D.	1/2" I.D.
1/4"	SS046-02L02	SS046-07L02	SS046-03L02	SS046-05L02
1/2"	SS046-02L05	SS046-07L05	SS046-03L05	SS046-05L05
3/4"	SS046-02L07	SS046-07L07	SS046-03L07	SS046-05L07

### Gaskets



Outside Diameter	1/4" I.D.	5/16" I.D.	3/8" I.D.	1/2" I.D.
1/2"	SS041-02D05	SS041-07D05	SS041-03D05	SS041-05D05
3/4"	SS041-02D07	SS041-07D07	SS041-03D07	SS041-05D07
1"	SS041-02D10	SS041-07D10	SS041-03D10	SS041-05D10
1-1/2"	SS041-02D15	SS041-07D15	SS041-03D15	SS041-05D15
2"			SS041-03D20	SS041-05D20
2-1/2"				SS041-05D25
3"				SS041-05D30
4"				SS041-05D40

## Parts Catalogue

Mogg Constructive Inc.  
425 Admiral Blvd., Unit #5  
Mississauga ON L5T 2N1

T 905.696.9828  
F 905.696.9827  
info@mogg.ca

[www.mogg.ca](http://www.mogg.ca)

The Mogg logo consists of the word "mogg" in a bold, lowercase, sans-serif font. The letter "o" is white, while the letters "m", "g", "g", and "g" are black. A small white vertical bar is positioned to the left of the first "o".

**Literature Disclaimer:** Presentations in this brochure or any other Mogg publication are correct to the best of our knowledge at time of preparation. We provide this information in an advisory capacity only. Any advisory recommendations given in our publications **must be modified to conform with local codes, conditions and specifications**. We reserve all rights to amend any information published in our literature without additional notice. **Mogg can not be held responsible or liable for the selection nor application of our products.**