



- ▶ Recommended standoff is 2" diameter with 1/2" thread but we can produce standoffs to your specification.
- ▶ Please refer to our fastener section for threaded rods and hanger bolts.
- ▶ Standoff Set includes: Base, Nut, two Gaskets and Sleeve.
- ▶ Recommended hole size for standoff is 1" and for Handrail Support is 3/4".



SS355 - Standoff Set

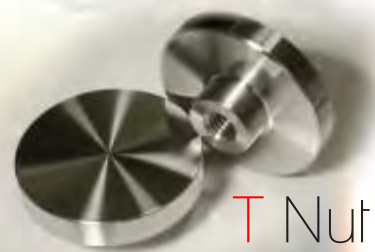


Rail Support



Details on Page 44

Additional Option For Nut



T Nut

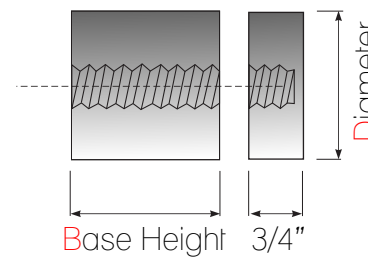
PointFix

1-1/2" Diameter

Base Height	3/8-16 Thread
1/2"	SS455-05D15
3/4"	SS455-07D15
1"	SS455-10D15
1-1/2"	SS455-15D15
2"	SS455-20D15
2-1/2"	SS455-25D15
3"	SS455-30D15
4"	SS455-40D15
+ All Custom Heights	

2" Diameter

Base Height	3/8-16 Thread	1/2-20 Thread	1/2-13 Thread
1/2"	SS455-05D20	SS255-05D20	SS355-05D20
3/4"	SS455-07D20	SS255-07D20	SS355-07D20
1"	SS455-10D20	SS255-10D20	SS355-10D20
1-1/2"	SS455-15D20	SS255-15D20	SS355-15D20
2"	SS455-20D20	SS255-20D20	SS355-20D20
2-1/2"	SS455-25D20	SS255-25D20	SS355-25D20
3"	SS455-30D20	SS255-30D20	SS355-30D20
4"	SS455-40D20	SS255-40D20	SS355-40D20
+ All Custom Heights			



2-1/2" Diameter

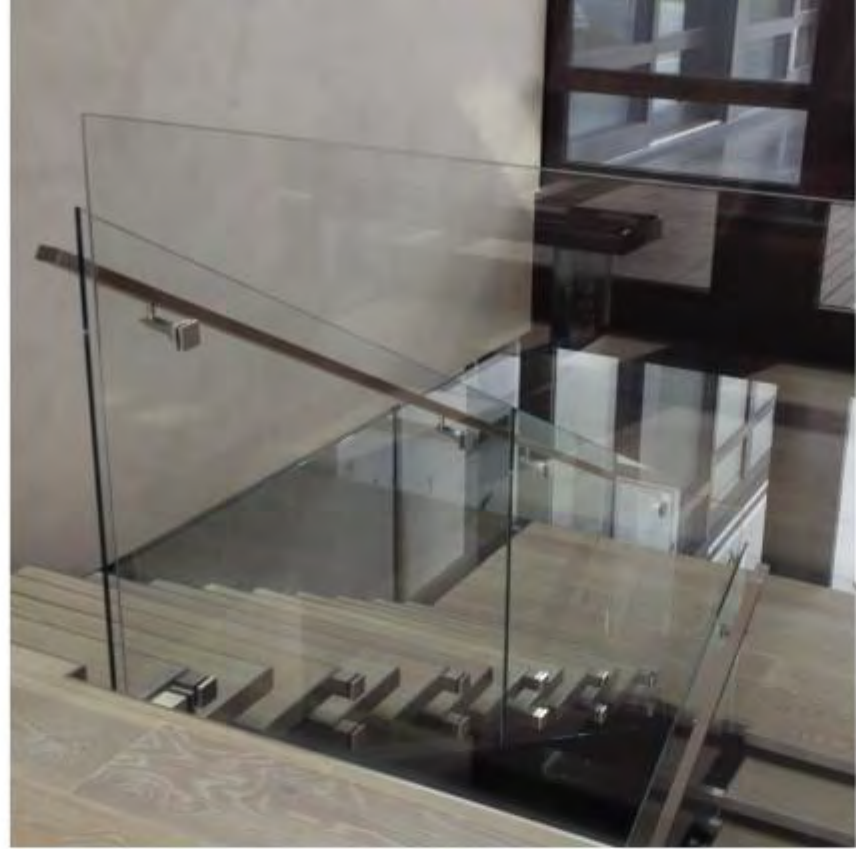
Base Height	1/2-20 Thread	1/2-13 Thread
1/2"	SS255-05D25	SS355-05D25
3/4"	SS255-07D25	SS355-07D25
1"	SS255-10D25	SS355-10D25
1-1/2"	SS255-15D25	SS355-15D25
2"	SS255-20D25	SS355-20D25
2-1/2"	SS255-25D25	SS355-25D25
+ All Custom Heights		

Hanger Bolt

Length	5/16-18 Thread	3/8-16 Thread	1/2-20 Thread	1/2-13 Thread
2"	SS727-L20	SS127-L20		
3"	SS727-L30	SS127-L30	SS227-L30	SS327-L30
4"		SS127-L40	SS227-L40	SS327-L40
5"		SS127-L50	SS227-L50	SS327-L50
6"		SS127-L60	SS227-L60	SS327-L60

Threaded Rod

Length	5/16-18 Thread	3/8-16 Thread	1/2-20 Thread	1/2-13 Thread
1"	SS728-L10	SS128-L10	SS228-L10	SS328-L10
1-1/2"	SS728-L15	SS128-L15	SS228-L15	SS328-L15
2"	SS728-L20	SS128-L20	SS228-L20	SS328-L20
3"	SS728-L30	SS128-L30	SS228-L30	SS328-L30
4"	SS728-L40	SS128-L40	SS228-L40	SS328-L40
5"	SS728-L50	SS128-L50	SS228-L50	SS328-L50
6"	SS728-L60	SS128-L60	SS228-L60	SS328-L60
8"	SS728-L80	SS128-L80	SS228-L80	SS328-L80
+ All Custom Lengths				



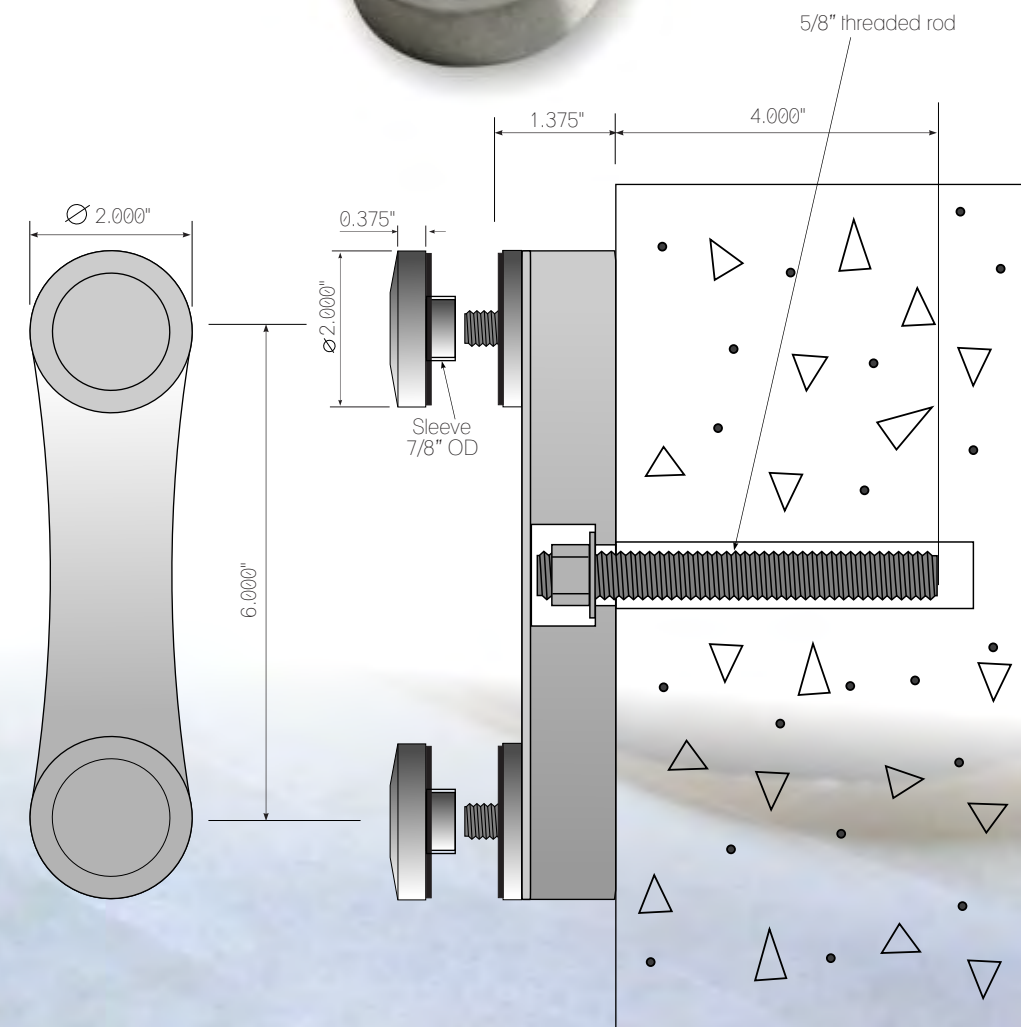
Duo System

SS102-D20

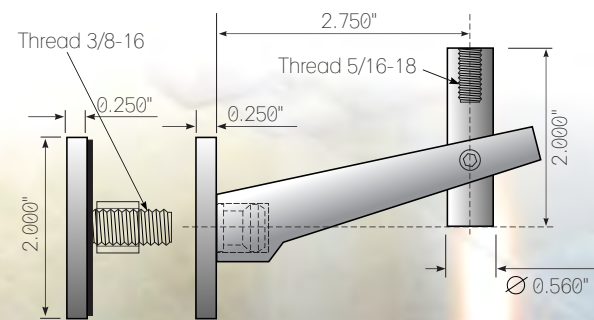


2" x 2"

Base Height	1/2-20 Thread	1/2-13 Thread
1/2"	SS245-05S20	SS345-05S20
3/4"	SS245-07S20	SS345-07S20
1"	SS245-10S20	SS345-10S20
1-1/2"	SS245-15S20	SS345-15S20
2"	SS245-20S20	SS345-20S20
2-1/2"	SS245-25S20	SS345-25S20
3"	SS245-30S20	SS345-30S20
4"	SS245-40S20	SS345-40S20
+ All Custom Heights		



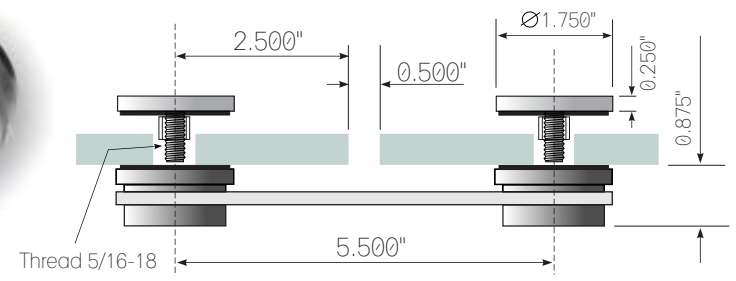
SS117-G



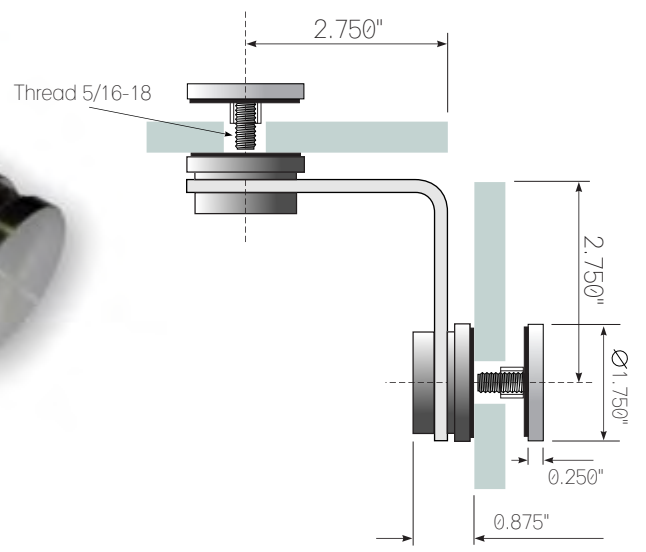
Square PointFix



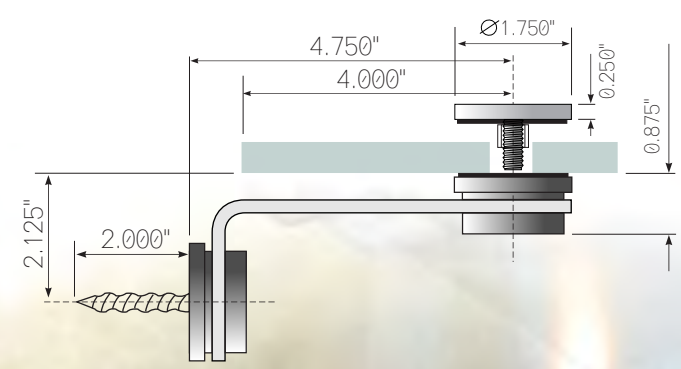
SS231-D17



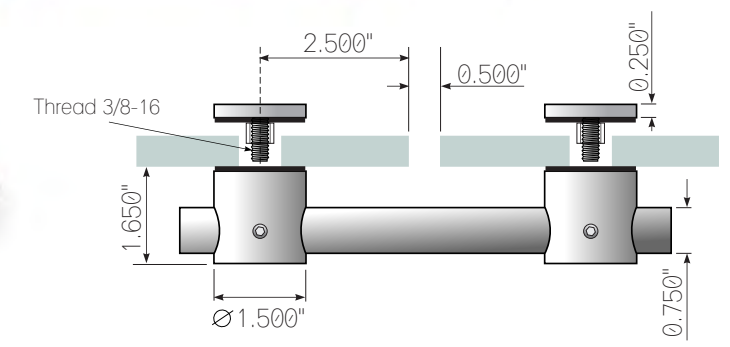
SS232-D17



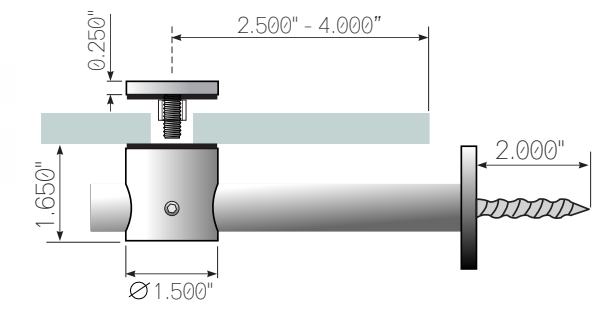
SS233-D17



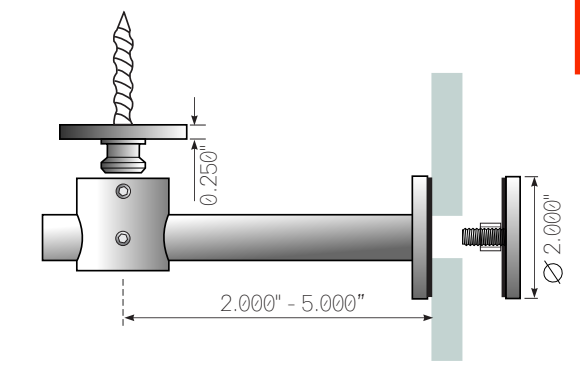
SS291-D15



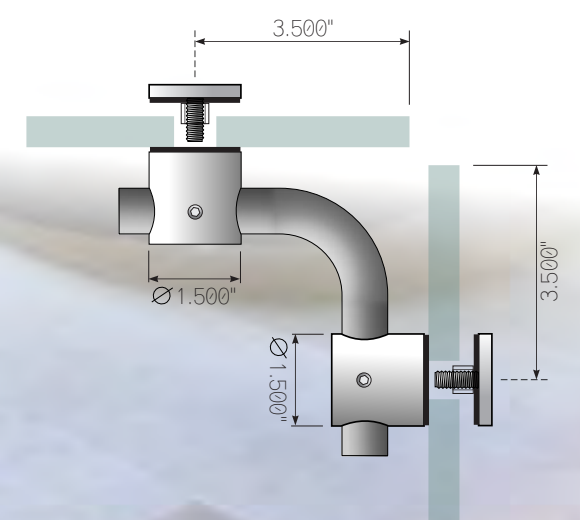
SS293-D15



SS294-D20



SS292-D15





Structural Glazing



Structural Glazing

Structural Glazing



mogy

Structural Glazing

Structural Glazing