

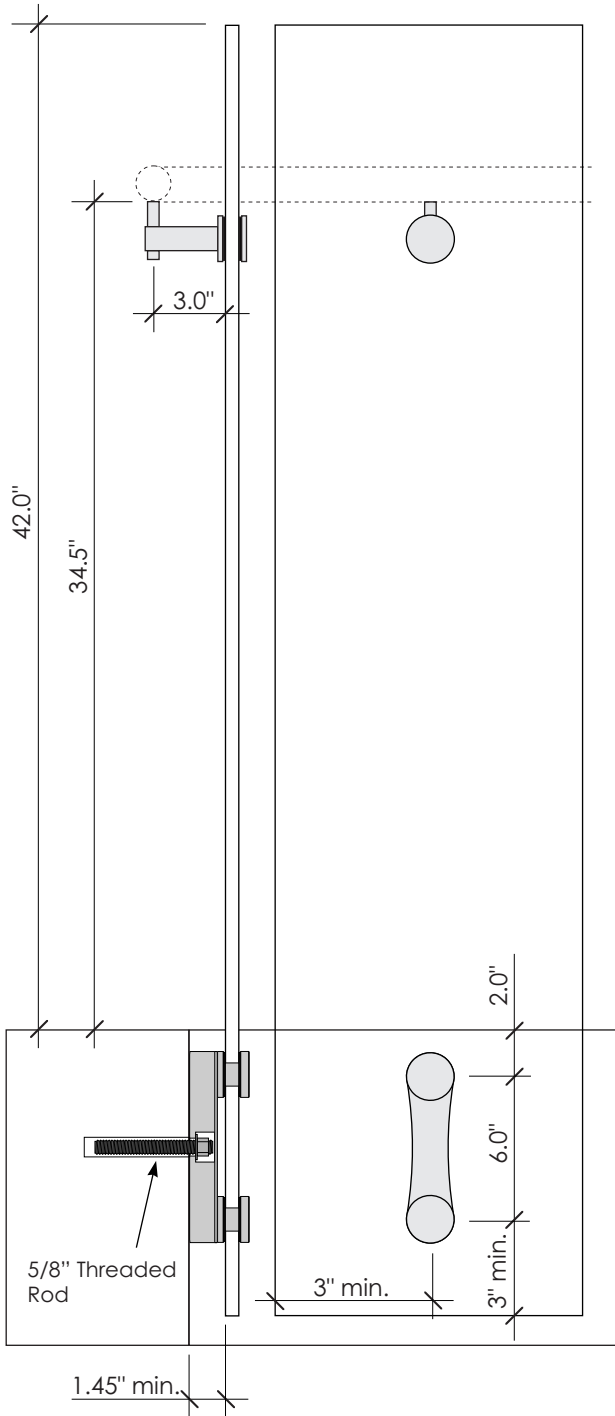
Structural Glazing Duo Bracket

mōgg



Parts

SS102-D20	2" diameter T-Nut
SS102-D25	2-1/2" diameter T-Nut
SS102-D30	3" diameter T-Nut



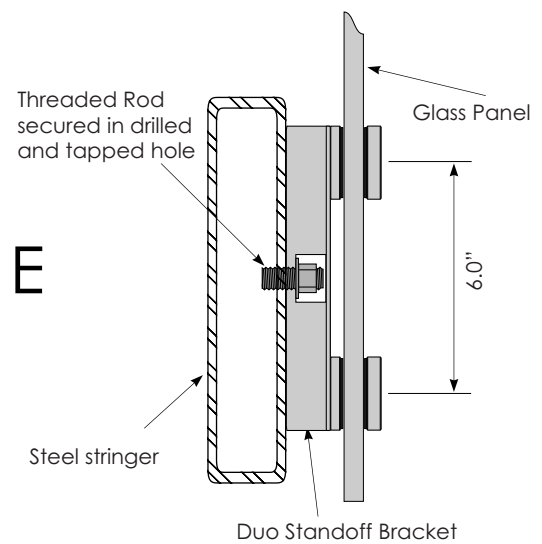
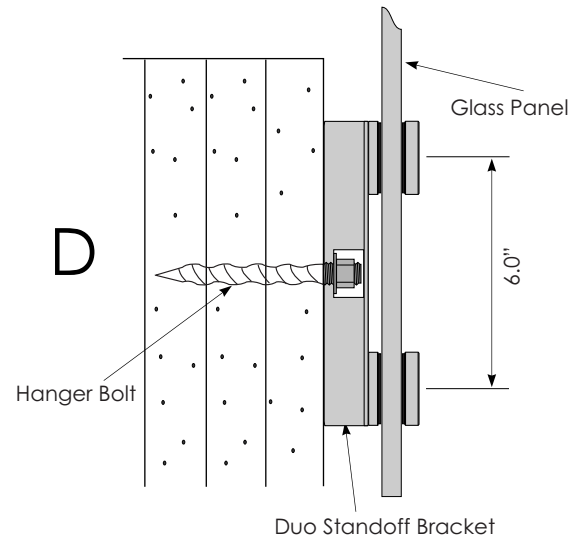
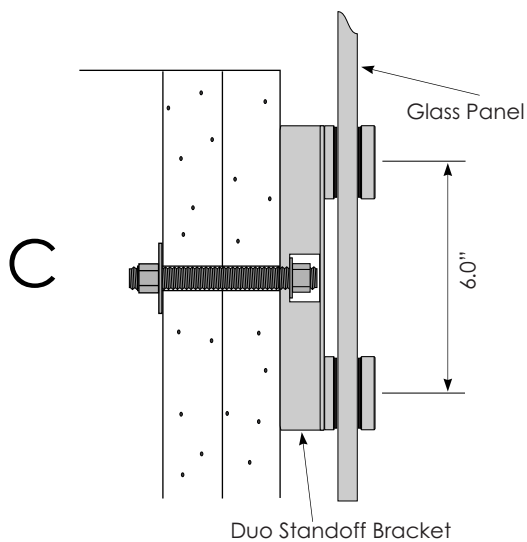
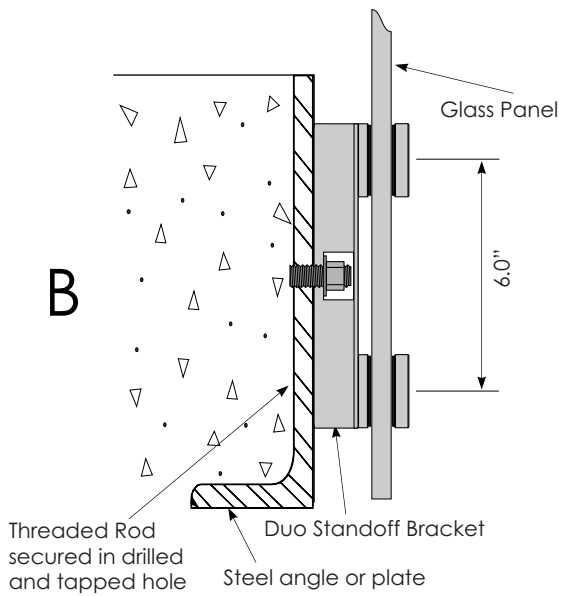
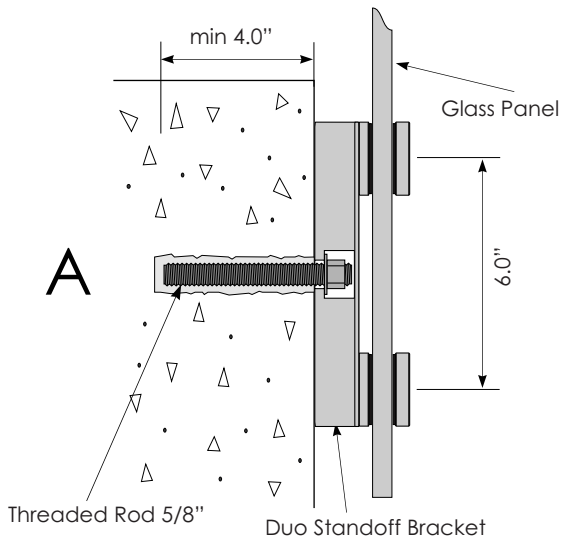
Specification

- ▶ System Components
 - Duo Standoff Bracket SS102-D20
 - Threaded Rod 5/8"
 - Rail Support Bracket - SS109-G
- ▶ Material
 - Stainless Steel 304, 316
- ▶ Finish
 - #4 (220grit) Brushed

Holes in glass 1-1/8" diameter

36" Hand Rail

Installation



Glass



Glass Weight

- ▶ Glass Panel Weight
H (meters) x L (meters) x Th (mm) x 2.5 (result in kg)

10mm - 25kg/sqm (5.1 lb/sqft)
12mm - 30kg/sqm (6.1 lb/sqft)
15mm - 38kg/sqm (7.8 lb/sqft)
19mm - 48kg/sqm (9.8 lb/sqft)

3/8" - 5 lb/sqft (25kg/sqm)
1/2" - 6.7 lb/sqft (33kg/sqm)
5/8" - 8.4 lb/sqft (41kg/sqm)
3/4" - 10.1 lb/sqft (49kg/sqm)
- ▶ Diameter of the hole:
D min = 1 x Th (Th < 12mm (1/2"))
D min = 1.5 x Th (Th > 12mm (1/2"))

Structural Glazing

- ▶ Standard glass thickness for Structural Glazing is 12 - 19 mm (1/2" - 3/4")
- ▶ Standard diameter of the hole for Structural Glazing is 28mm (1-1/8")
- ▶ Min hole distance 6"

