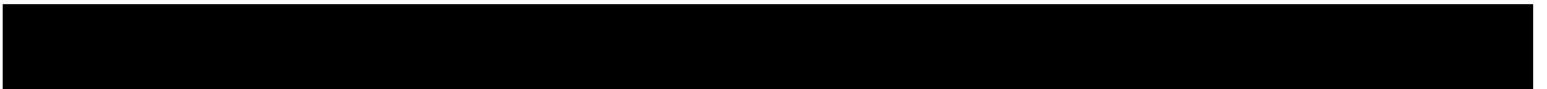


# 3

## Specifications + Technical Data

Stainless Steel Standoff Systems





## Standoffs - Specifications

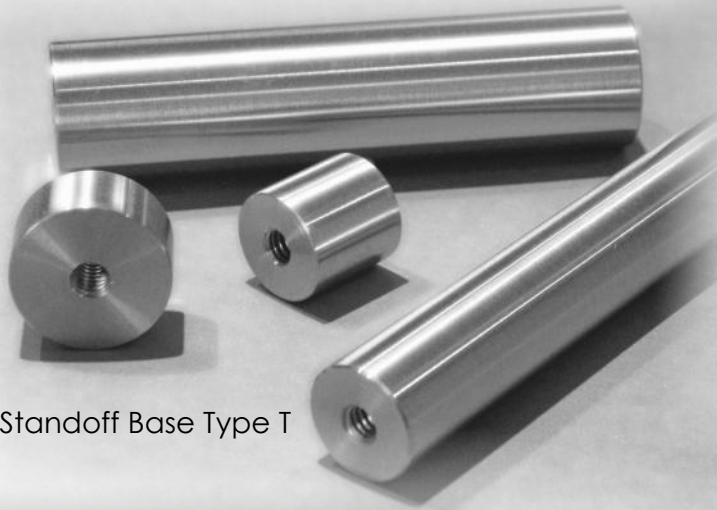
Standoff Base Type T	S2
Standoff Cap	S2
Standoff Nut	S3
Washer	S4
Standoff Base Type C	S4
Gaskets & Sleeves	S5

## Technical Data

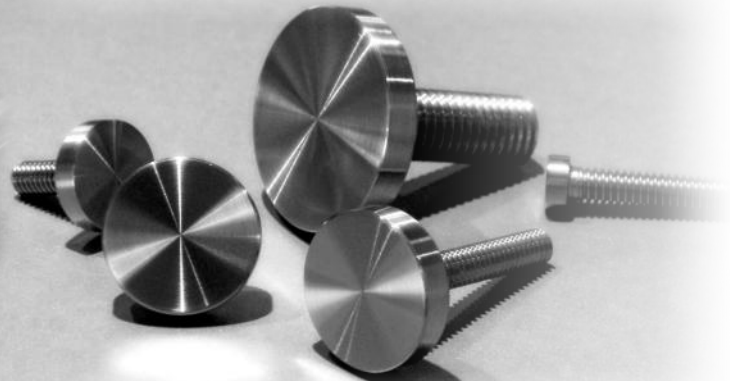
Standoff Base Type T Installation	T1
Standoff Base Type C Installation	T2
Standoff Nut Installation	T3
Glass	T15

# Standoffs





Standoff Base Type T



Standoff Cap



Standoff Nut



Standoff Base Type C



Standoff Cap Type V



Washer



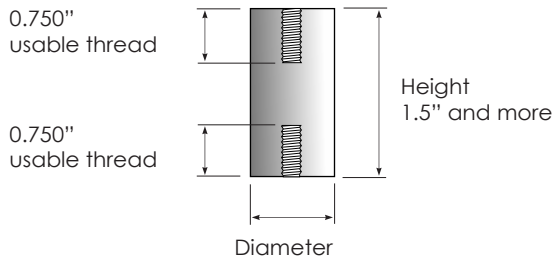
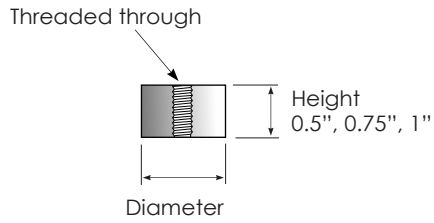
Gaskets

Sleeves

## Models

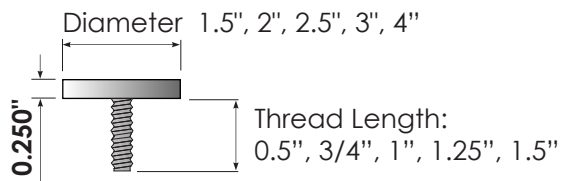
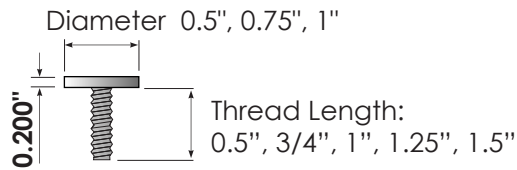
SS050	Standoff Base Type T
SS051	Standoff Cap
SS052	Standoff Nut
SS261	Standoff Cap Type V
SS021	Washer
SS041	Gaskets
SS046	Sleeves
SS024	Standoff Base Type C

## Standoff Base Type T



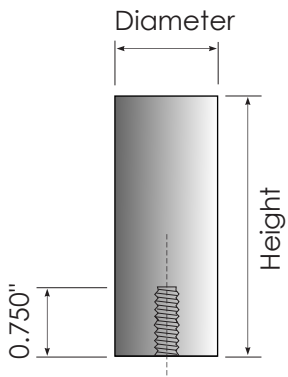
- ▶ Thread Sizes:  
1/4-20, 5/16-18, 3/8-16, 1/2-13, 1/2-20,
- ▶ Diameters:  
0.5", 0.75", 1", 1.5", 2", 2.5", 3", 4"
- ▶ Material  
Stainless Steel 304, 316
- ▶ Finish  
#4 (220grit) Brushed

## Standoff Cap



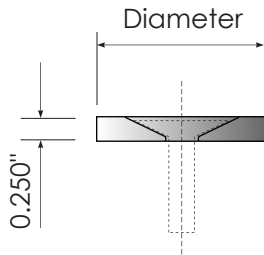
- ▶ Thread Sizes:  
1/4-20, 5/16-18, 3/8-16, 1/2-13, 1/2-20,
- ▶ Diameters:  
0.5", 0.75", 1", 1.5", 2", 2.5", 3", 4"
- ▶ Material  
Stainless Steel 304, 316
- ▶ Finish  
#4 (220grit) Brushed

## Standoff Nut



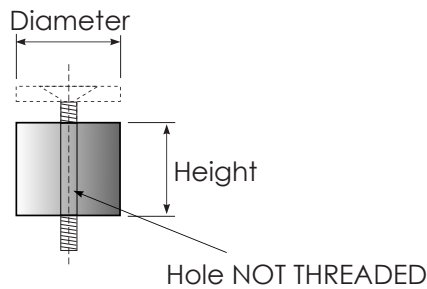
- ▶ Thread Sizes:  
1/4-20, 5/16-18, 3/8-16, 1/2-13, 1/2-20,
- ▶ Diameters:  
0.5", 0.75", 1", 1.5", 2", 2.5", 3", 4"
- ▶ Material  
Stainless Steel 304, 316
- ▶ Finish  
#4 (220grit) Brushed

## Washer



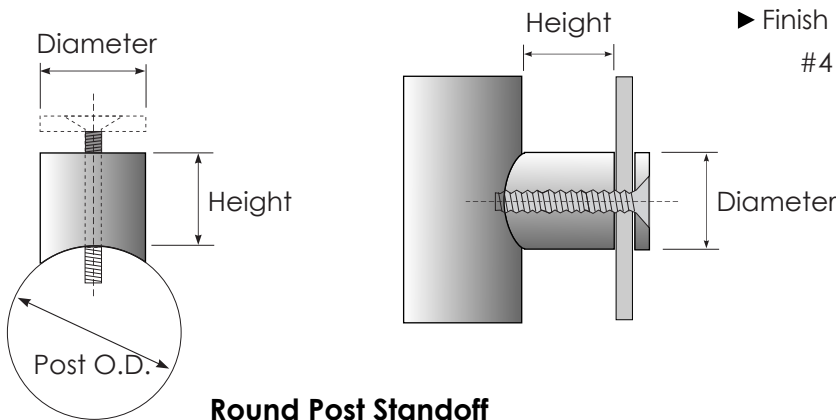
- ▶ Bolt Size: 1/4-20,
- ▶ Diameter: 1", 1.5",
- ▶ Material: Stainless Steel 304, 316
- ▶ Finish: #4 (220grit) Brushed

## Standoff Base Type C



**Flat Surface Standoff**

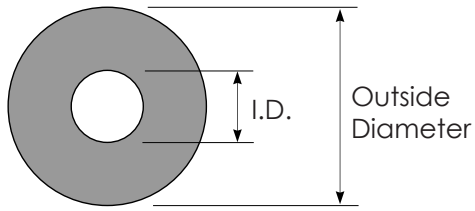
- ▶ Hole Sizes:  
1/4", 5/16", 3/8", 1/2",
- ▶ Diameters:  
0.5", 0.75", 1", 1.5", 2", 2.5", 3", 4"
- ▶ Post Diameter  
1.5", 2",
- ▶ Material  
Stainless Steel 304, 316
- ▶ Finish  
#4 (220grit) Brushed



**Round Post Standoff**



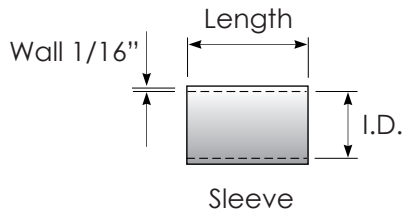
## Gasket



Gasket

- ▶ I.D.: 1/4", 5/16", 3/8", 1/2",
- ▶ Diameters: 0.5", 0.75", 1", 1.5", 2", 2.5", 3", 4"
- ▶ Thickness: 1/16"
- ▶ Material: Neoprene
- ▶ Color: Black

## Sleeve

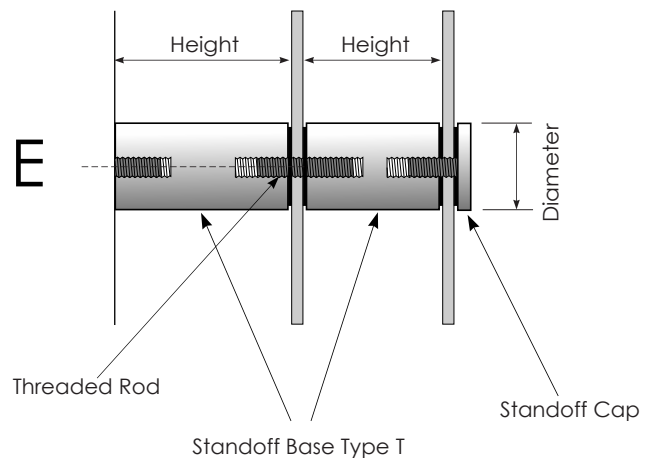
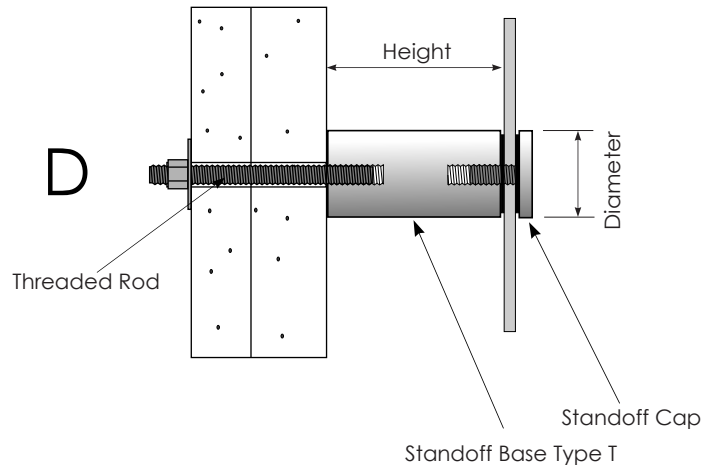
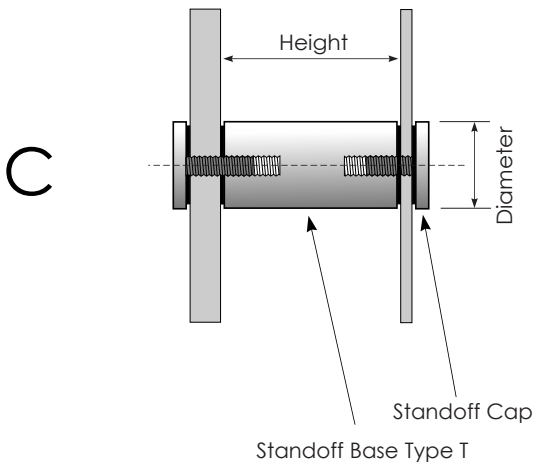
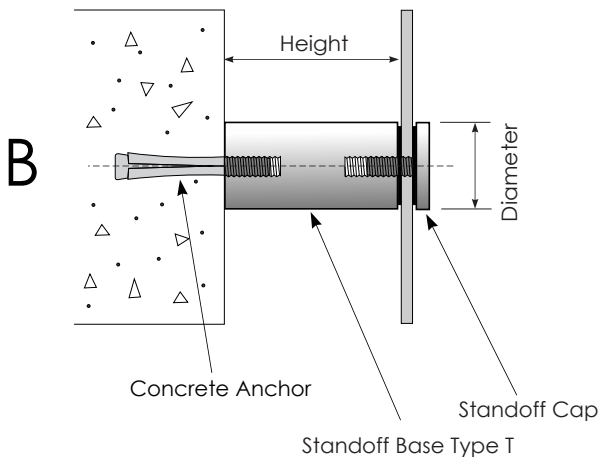
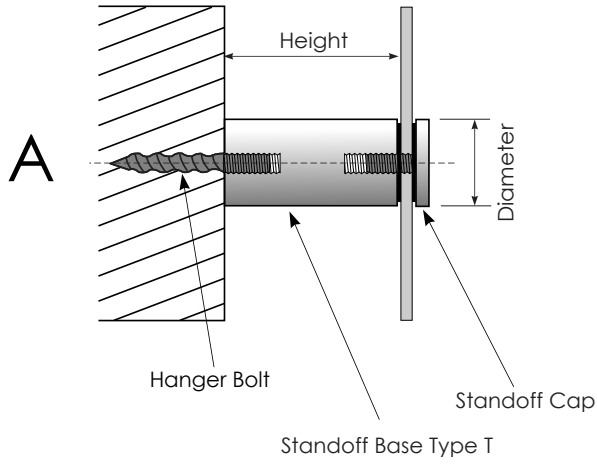


Sleeve

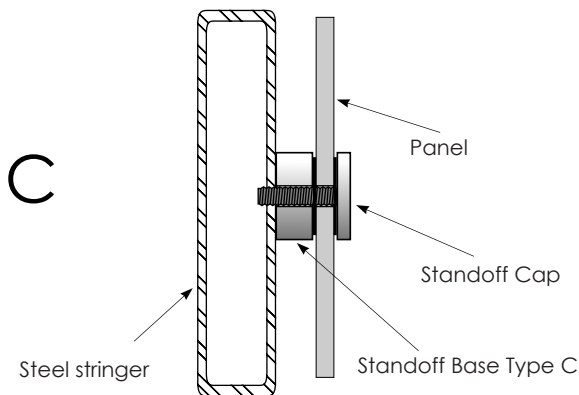
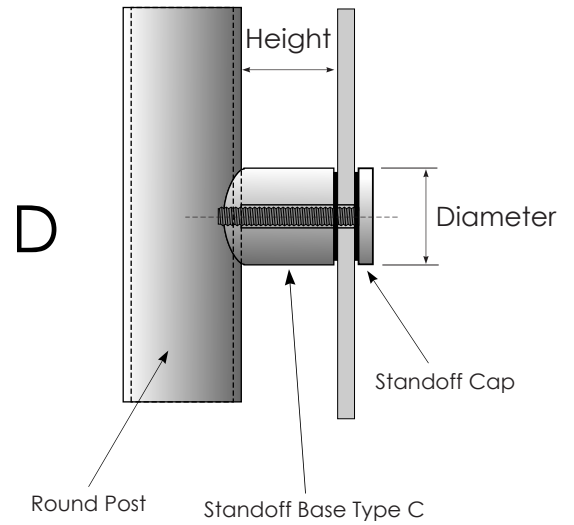
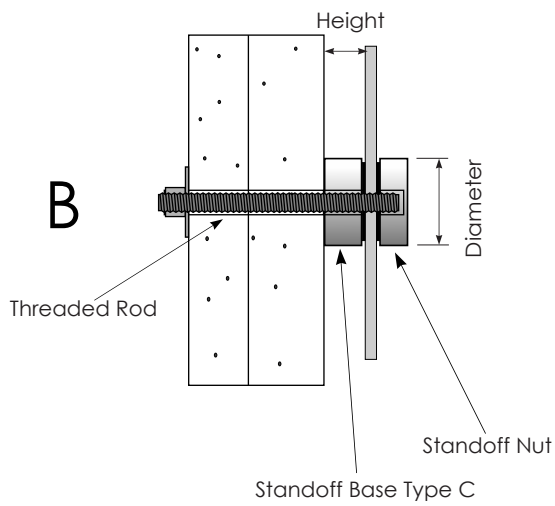
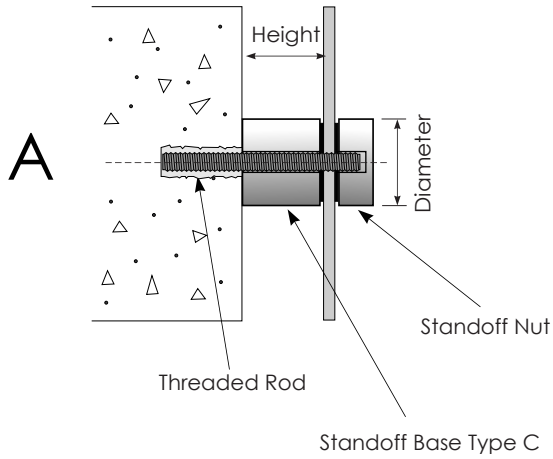
- ▶ I.D.: 1/4", 5/16", 3/8", 1/2",  
O.D: 3/8", 7/16", 1/2", 5/8",
- ▶ Wall Thickness: 1/16"
- ▶ Material: Nylon, PVC
- ▶ Color: White, Clear

# Installation

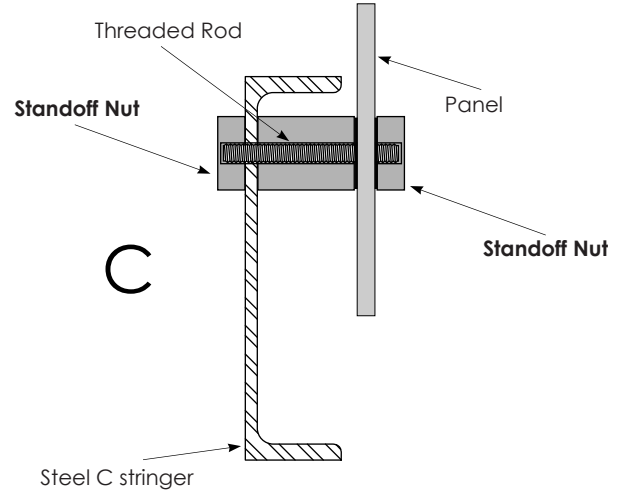
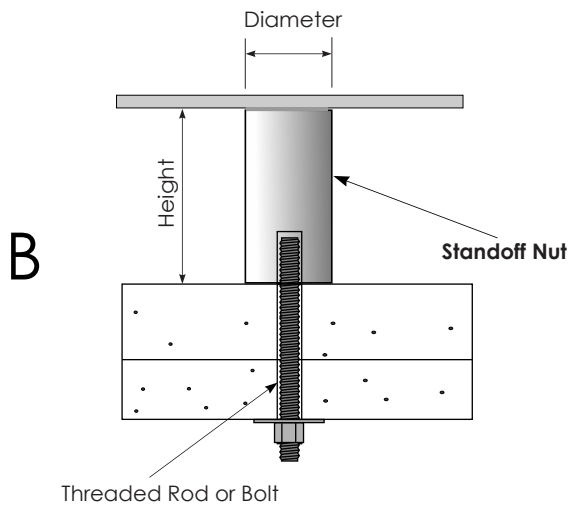
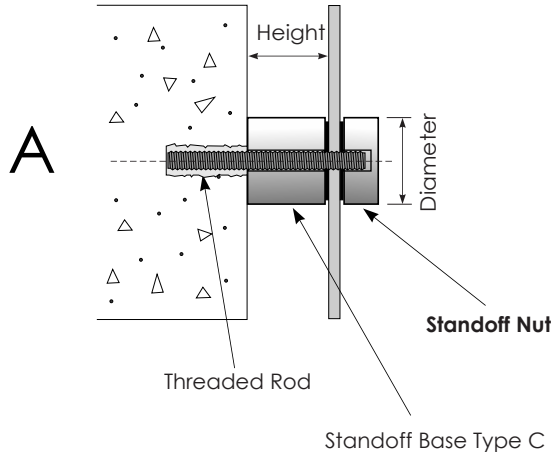
# Standoff Base TYPE T Installation



# Standoff Base TYPE C Installation



# Standoff Nut Installation



**Glass**



## General Info

- ▶ Glass Panel Weight  
 $H \text{ (meters)} \times L \text{ (meters)} \times Th \text{ (mm)} \times 2.5 \text{ (result in kg)}$

10mm - 25kg/sqm (5.1 lb/sqft)

12mm - 30kg/sqm (6.1 lb/sqft)

15mm - 38kg/sqm (7.8 lb/sqft)

19mm - 48kg/sqm (9.8 lb/sqft)

3/8" - 5 lb/sqft (25kg/sqm)

1/2" - 6.7 lb/sqft (33kg/sqm)

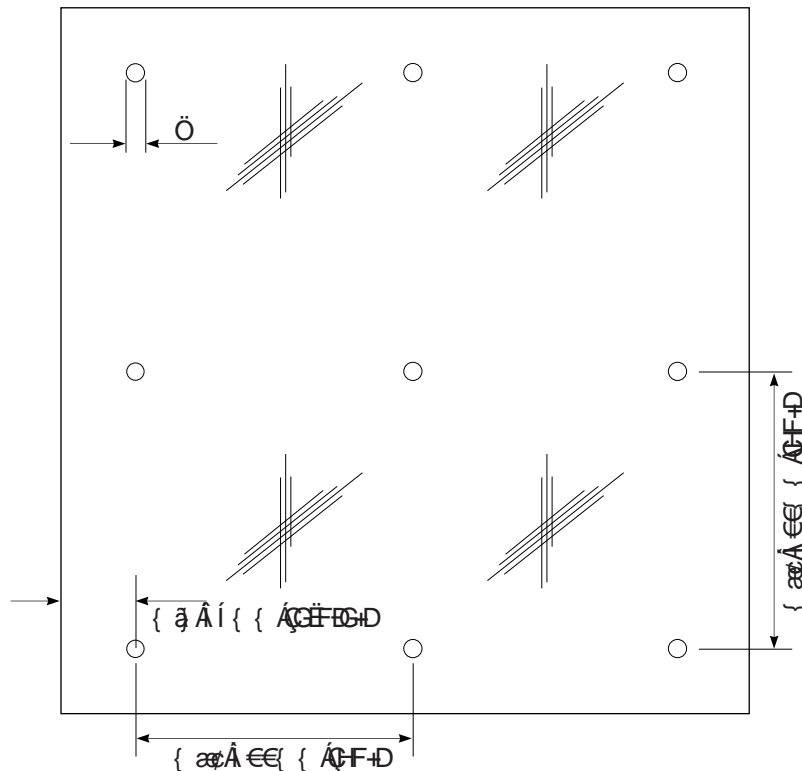
5/8" - 8.4 lb/sqft (41kg/sqm)

3/4" - 10.1 lb/sqft (49kg/sqm)

- ▶ Diameter of the hole:  
 $D_{\min} = 1 \times Th \text{ (Th < 12mm (1/2"))}$   
 $D_{\min} = 1.5 \times Th \text{ (Th > 12mm (1/2"))}$

## Post Railing Systems

### Standoff Panel



## Stainless Steel **Standoff Systems**

Mogg Constructive Inc.  
425 Admiral Blvd., Unit #5  
Mississauga ON L5T 2N1

T 905.696.9828  
F 905.696.9827  
info@mogg.ca

[www.mogg.ca](http://www.mogg.ca)

The Mogg logo consists of the word "mogg" in a bold, lowercase, sans-serif font. The letter "o" is white, while the letters "m", "g", "g", and "g" are black. A small orange square is positioned above the first "g".

**Literature Disclaimer:** Presentations in this brochure or any other Mogg publication are correct to the best of our knowledge at time of preparation. We provide this information in an advisory capacity only. Any advisory recommendations given in our publications **must be modified to conform with local codes, conditions and specifications.** We reserve all rights to amend any information published in our literature without additional notice. **Mogg can not be held responsible or liable for the selection nor application of our products.**